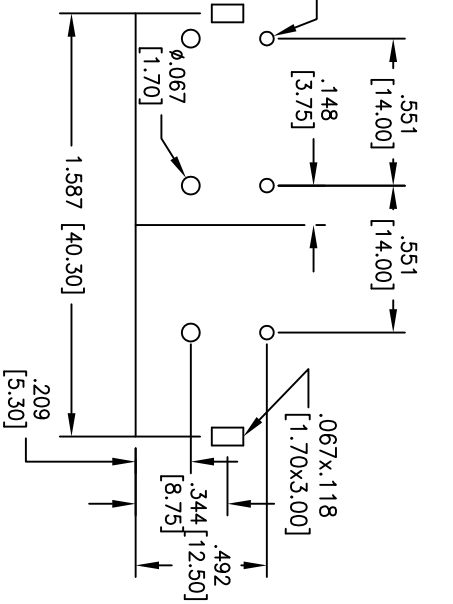
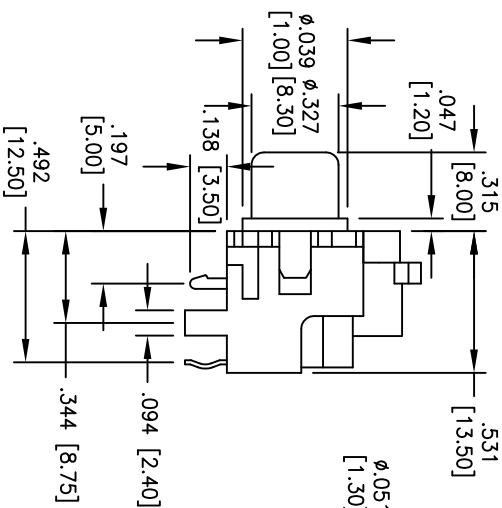
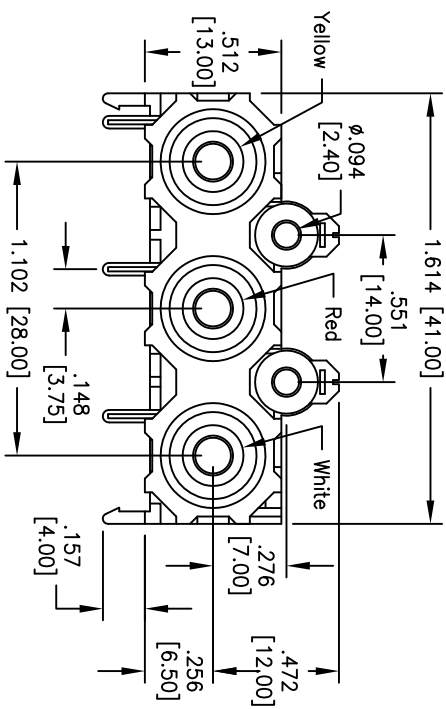


Rev	AWO #	Description	Date	Appr
-		RELEASED	4/26/11	

APPROVED: _____ TITLE: _____
 DATE: _____



RECOMMENDED PCB LAYOUT
(TOP VIEW)

SPECIFICATIONS:

- Material: _____
- Housing: ABS, color Yellow
- Insulator colors: Yellow, Red, White
- Contacts: Brass
- Plating: _____
- Tin over Copper underplate.

- Electrical:
 - Operation voltage: 50V DC
 - Current rating: 0.3 Amps
 - Contact resistance: 30 mohms max.
 - Insulation resistance: 100 Mohms min
 - Dielectric withstanding voltage: 500 VAC for 1 minute
- Environmental:
 - Temperature rating: _____
 - Operating temperature: -25°C to +80°C
 - Lead free, RoHS compliant.
 - Recommended soldering temp: 235°C for 5 sec.

UNLESS OTHERWISE SPECIFIED ALL DIMENSIONS ARE INCHES [MM] TOLERANCES: EXCEPT AS NOTED	
INCHES	
.X ± .10	ØX ± .10
.XX ± .020	ØXX ± .015
.XXX ± .015	ØXXX ± .010
APPROVALS	DATE
DRAWN	DY
CHECKED	
APPROVED	

ADAM TECH
 909 Railway Avenue, Union, NJ 07083
 Phone: 908-687-5000 Fax: 908-687-5710

TITLE: **RCA JACK, RIGHT ANGLE, PCB YELLOW/RED/WHITE**

SIZE	PART NO.	REV.
X	RCA-25-1-Y/R/W-Y	
REF: S00002C	SCALE: NTS	SHEET 1 OF 1