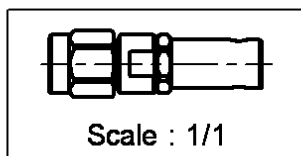
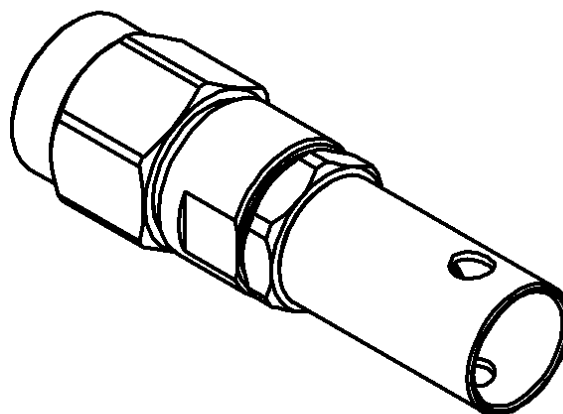
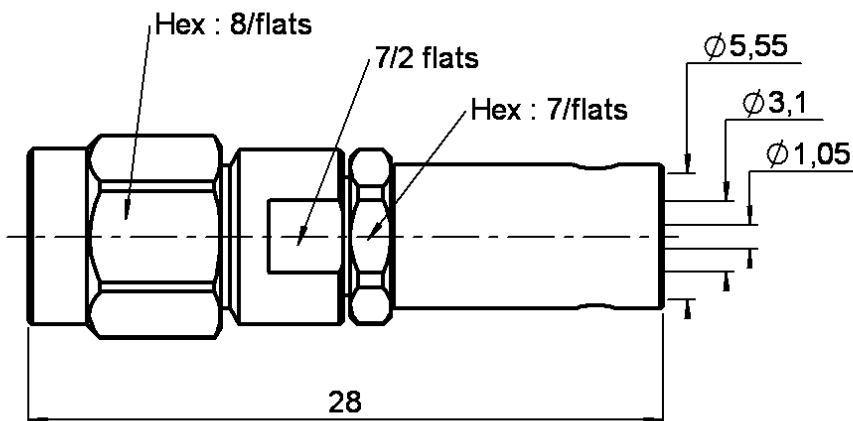


**STRAIGHT PLUG CRIMP OR SOLDER TYPE**

**R125.077.000**

**CABLE 5/50 S**

Series : SMA



All dimensions are in mm.

COMPONENTS	MATERIALS	PLATING
BODY	STAINLESS STEEL	GOLD 0.5 OVER NICKEL 2 µm
CENTRE CONTACT	BRASS	GOLD 1.3 OVER NICKEL 2 µm
OUTER CONTACT	-	- µm
INSULATOR	PTFE	
GASKET	SILICONE RUBBER	
OTHERS PARTS	STAINLESS STEEL	GOLD 0.5 OVER NICKEL 2 µm
-	-	-
-	-	-



Edition : 9840 F

Design changes may be in order to improve the product.

**STRAIGHT PLUG CRIMP OR SOLDER TYPE**

**R125.077.000**

**CABLE 5/50 S**

Series : **SMA**

**ELECTRICAL CHARACTERISTICS**

Impedance **50** Ω  
 Frequency **0-12.4** GHz  
 VSWR **1.15 + 0.010** x F(GHz) Maxi  
 Insertion loss **0.06** √F(GHz) dB  
 RF leakage - ( **60** - F(GHz)) dB mini  
 Operating temperature **-65/+165** °C  
 Voltage rating **335** Veff Maxi  
 Dielectric withstanding **1000** Veff mini  
 Insulation resistance **5000** MΩ mini

**SPECIFICATION**

Stripping	a	b	c	d	e	f
mm	3.50	7.00	13.5	0.00	10.0	0.00

Assembly instruction : **CRIMP 10**

Recommended cables  
 RG 58  
 KX 15  
 RG 141

Cable retention  
 - pull off **180** N mini  
 - torque **NA** N.cm

**MECHANICAL CHARACTERISTICS**

Centre contact retention  
 Axial force – Mating end **27** N mini  
 Axial force – Opposite end **27** N mini  
 Torque **NA** N.cm mini

**TOOLING**

Part Number	Description	Hexagon
.	.	.
R282.235.011	CRIMPING DIES	5.40
R282.293.000	CRIMPING TOOL	-
R282.223.000	CRIMPING TOOL	5.40

Recommended torque  
 Mating **100** N.cm  
 Panel nut **NA** N.cm  
 Clamp nut **100** N.cm  
 A/F clamp nut **7.000** mm

**OTHERS CHARACTERISTICS**

Mating life **500** Cycles mini  
 Weight **0.000** g

**ENVIRONMENTAL**

Hermetic seal **NA** Atm.cm3/s  
 Leakage – pressurised only **NA** Mpa

