

## PL00101 Series SMD LED 1206 Package

### Features

- \*Flat lens package 3.2 x 1.6 x 1.4mm with reflector cup
- \*Small 30° viewing angle
- \*Compatible with IR solder-process
- \*Industry standard footprint
- \*3000 pcs per reel
- \*RoHS compliant

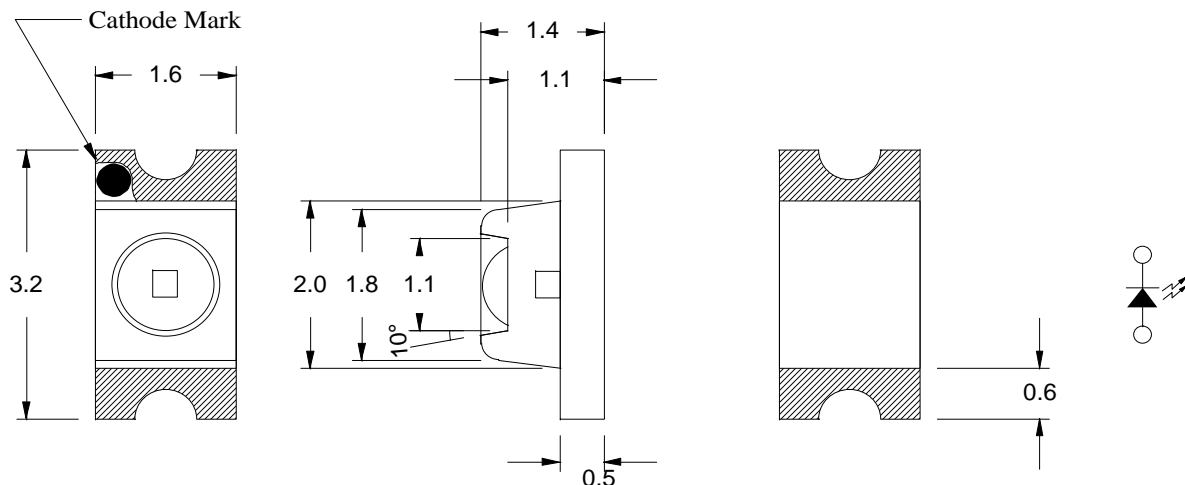
### Absolute Maximum Ratings at $T_A = 25^\circ\text{C}$

Power Dissipation.....	78mW
Reverse Voltage (<math><100\mu\text{A}</math>) .....	5.0V
Max Forward Current .....	30mA
Peak Forward Current(1/10 Duty Cycle, 0.1ms Pulse Width) .....	100mA
Operating Temperature Range .....	-40°C to +85°C
Storage Temperature Range .....	-40°C to +85°C
Reflow Soldering Temperature.....	260°C for 10 seconds

### Electrical & Optical Characteristics at $T_A = 25^\circ\text{C}$

Part Number	Emitting Color	Chip Material	Peak Wave Length	Dominant Wave Length	Viewing Angle 2 $\theta$ 1/2	Forward Voltage @20mA (V)		Luminous Intensity @20mA (mcd)	
						Typ	Max	Min	Typ
Water Clear Lens			nm	nm	Deg				
PL00101-WCG17	Super-bright Yellow Green	AlInGaP	575	574	30°	2.2	2.6	90.0	145.0

Package Dimensions are in **Millimeters**. Tolerance is  $\pm 0.25\text{mm}$  unless otherwise specified.



### Recommended Soldering Pad Layout

