



PL00100 Series SMD LED 1206 Package

Features

- *Flat lens package 3.2 x 1.6 x 1.1mm
- *GaP green LED chip used
- *Low current requirements
- *High light output
- *Industry standard footprint
- *3000 per reel
- *RoHS compliant

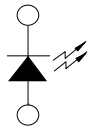
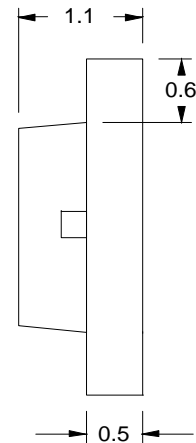
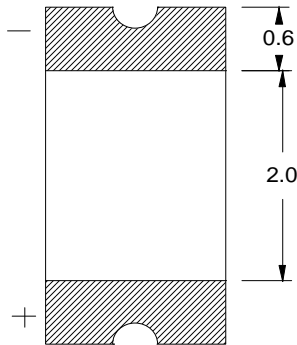
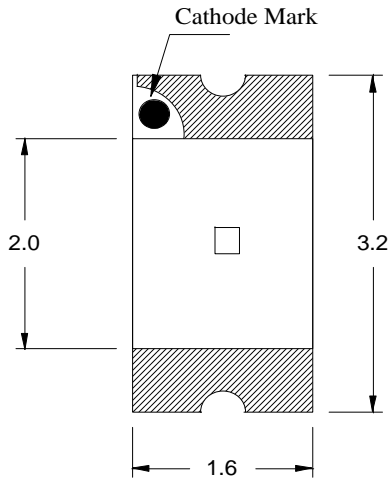
Absolute Maximum Ratings at T_A = 25°C

Power Dissipation.....	65mW
Reverse Voltage (<100µA)	5.0V
Max Forward Current	25mA
Peak Forward Current (1/10 Duty Cycle, 0.1ms Pulse Width).....	100mA
Operating Temperature Range	-40°C to +85°C
Storage Temperature Range	-40°C to +85°C
Reflow Soldering Temperature.....	260°C for 10 seconds

Electrical & Optical Characteristics at T_A = 25°C

Part Number	Emitting Color	Chip Material	Dominant Wave Length	Peak Wave Length	Viewing Angle 2θ1/2	Forward Voltage @20mA (V)		Luminous Intensity @20mA (mcd)	
						Typ	Max	Min	Typ
Water Clear Lens			nm	nm	Deg				
PL00100-WCG11	Green	GaP	570	563	140°	2.3	2.6	3.5	7.0

Package Dimensions are in **Millimeters**. Tolerance is ± 0.25mm unless otherwise specified.



Recommended Soldering Pad Layout

