

## PL00100 Series SMD LED 1206 Package

### Features

- \*Flat lens package 3.2 x 1.6 x 1.1mm
- \*AlInGaP amber LED chip used
- \*Low current requirements
- \*High light output
- \*Industry standard footprint
- \*3000 per reel
- \*RoHS compliant

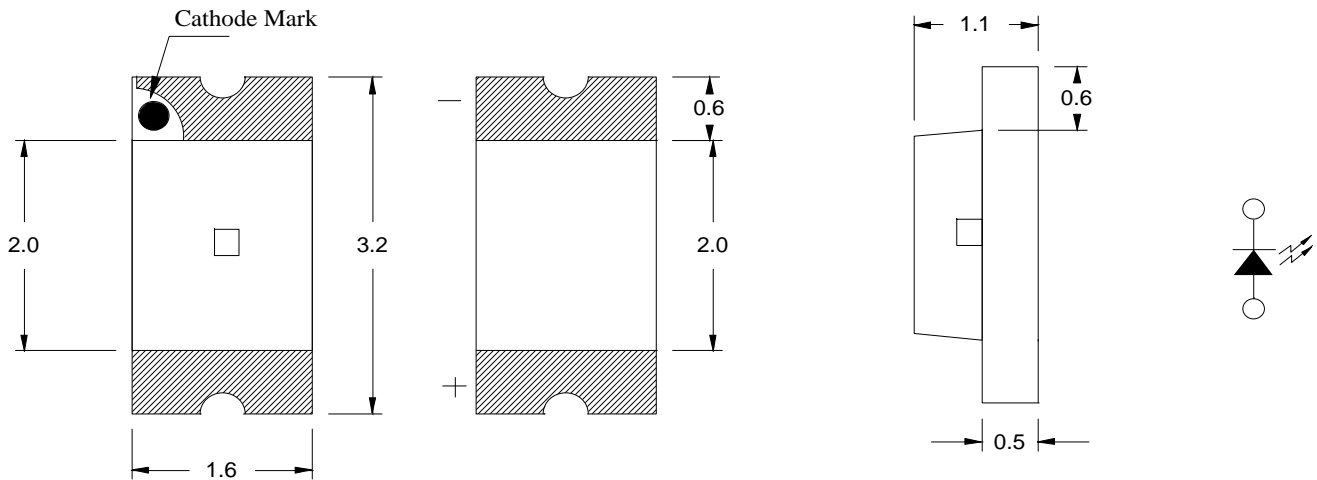
### Absolute Maximum Ratings at T<sub>A</sub> = 25°C

Power Dissipation.....	78mW
Reverse Voltage (<100µA) .....	5.0V
Max Forward Current .....	30mA
Peak Forward Current (1/10 Duty Cycle, 0.1ms Pulse Width).....	100mA
Operating Temperature Range .....	-40°C to +85°C
Storage Temperature Range .....	-40°C to +85°C
Reflow Soldering Temperature.....	260°C for 10 seconds

### Electrical & Optical Characteristics at T<sub>A</sub> = 25°C

Part Number	Emitting Color	Chip Material	Dominant Wave Length	Peak Wave Length	Viewing Angle 2θ1/2	Forward Voltage @20mA (V)		Luminous Intensity @20mA (mcd)	
						Typ	Max	Min	Typ
Water Clear Lens			nm	nm	Deg	Typ	Max	Min	Typ
PL00100-WCA03	Super Bright Amber	AllInGaP	605	610	140°	2.1	2.6	57.0	117.0

Package Dimensions are in **Millimeters**. Tolerance is ± 0.25mm unless otherwise specified.



#### Recommended Soldering Pad Layout

