



AN1246

Application note

VIpower: auxiliary BIAS power supply using VIPer20A-E

Introduction

This application note describes a bias power supply to meet the needs of powering up Power MOSFETs as well as providing standby power when the main unit is off.

The VIPer20ADIP-E, a part of STMicroelectronics proprietary VIpower (Vertical Intelligent Power), is a current mode PWM with a 700 V avalanche rugged Power MOSFET. It uses a fabrication process which allows the integration of analog control circuits with a vertical power device on the same chip. It can provide an output of 10 W power capability for wide range input, or 20 W for single input voltage range.

Contents

1	Key features of the VIPer20ADIP-E	3
2	General circuit description	3
3	Connecting the demoboard	6
4	Layout considerations	6
5	Burst mode	6
6	Performance and cost consideration	7
7	Revision history	7

1 Key features of the VIPer20ADIP-E

- Adjustable switching frequency up to 200 kHz
- Current mode control
- Burst mode operation in standby mode, meets “Blue Angel” standards
- Undervoltage lock-out with hysteresis
- Integrated start-up supply
- Avalanche rugged
- Overtemperature protection
- Primary or secondary regulation general circuit description

2 General circuit description

This demo board (see schematic in [Figure 1](#)) is a 110 to 375 V_{DC} input discontinuous flyback, working at 100 kHz. The output can deliver 12 V at 0.5 A continuous. This circuit can be powered from the main bulk capacitors of an off-line power supply, power factor correction output stage, or the AC line with the addition of a low current bridge rectifier. It benefits from the EMI filter present in a typical power supply. The output uses a Schottky diode for better efficiency. C7 is a low ESR capacitor which manages the ripple current. IC2 provides the reference and the feedback to tightly regulate the output. CS5, CS6, and RS3 form the feedback loop compensation to optimize stability during transients. The demoboard can be tested with convection air. Depending on the final application, air flow might be needed to keep the VIPer20ADIP-E under the thermal shutdown limit.

Figure 1. Schematic

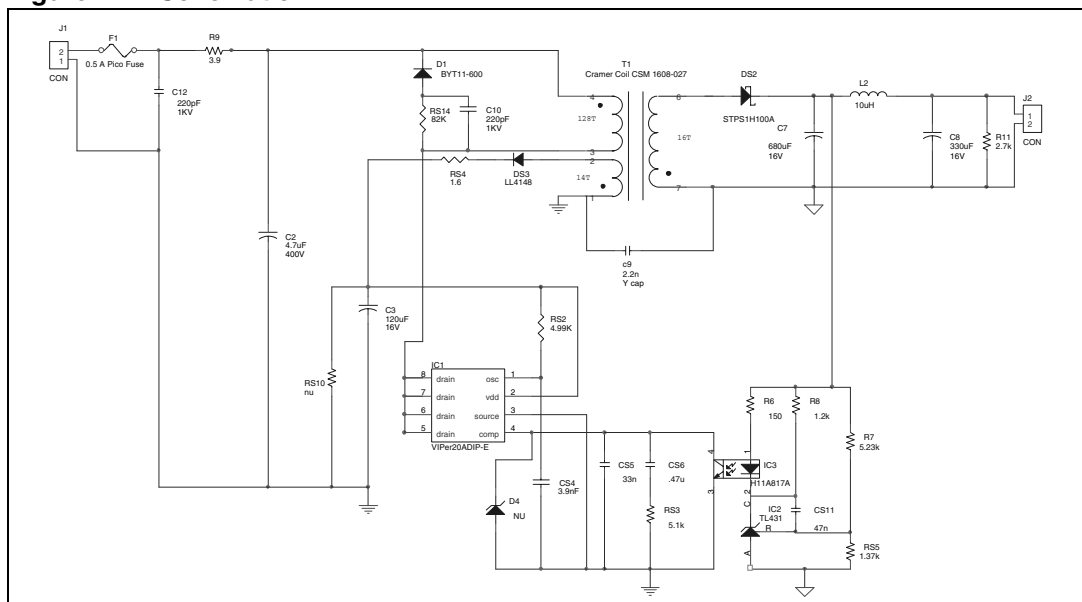


Table 1. Electrical specification from measured results

Parameter	Results
Input voltage range J1	110 to 375 V _{DC}
Output J2	12 V from 0 to 0.5 A
Load regulation (0 to 0.5 A) from setpoint	+/-25 mV or +/-0.2%
Line regulation (at max load)	+/-1 mV
Efficiency	84% at 120 V _{DC} and 79% at 375 V _{DC}
Output ripple voltage	35 mV MAX
Input power at no load	0.65 W MAX
Transient response, 50% load step	+/-60 mV typical

Figure 2. PC board top legend bottom foil and surface mount components

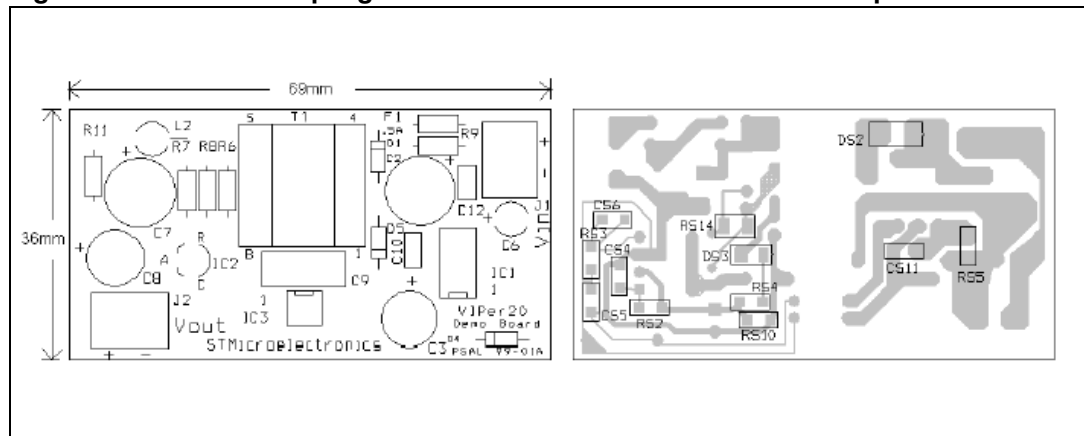


Table 2. Component list

Quantity	Reference	Description	Value
1	C2		F4.7 μ F 400 V
1	C3		120 μ F 16 V (low ESR)
1	CS4		3.9 nF 50 V
1	CS5		33 nF 50 V
1	CS6		47 μ F 25 V
1	C7		680 μ F 16 V (low ESR)
1	C8		330 μ F 16 V (low ESR)
1	C9	Y1 Rated safety cap	2.2 nF
1	C10		220 pF 1 KV
1	CS11		47 μ F 50 V
1	C12		220 pF 1 KV
1	D1	BYT11-600 ⁽¹⁾	600 V 1 A Ultrafast

Table 2. Component list (continued)

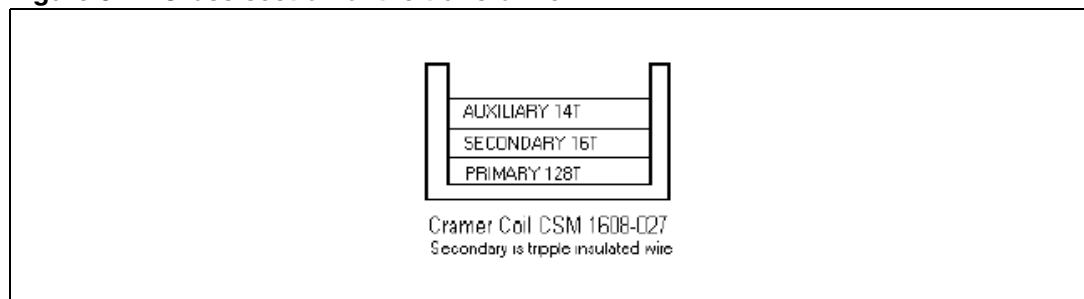
Quantity	Reference	Description	Value
1	DS2	STPS1H100A ⁽¹⁾	100 V 1 A Schottky
1	DS3	LL4148	
1	F1	fuse	0.5 A pico
1	IC1	VIPer20ADIP-E ⁽¹⁾	
1	IC2	TL431 ⁽¹⁾	
1	IC3	H11A817A (optocoupler)	
1	J1	Connector terminal	
1	J2	Connector terminal	
1	L2	Coilcraft PCH-27-103	10 μ H
1	RS2		4.99 K Ω 1% 1/8 W
1	RS3		5.1 K Ω 1/8 W
1	RS4		1.6 Ω 1/8 W
1	RS5		1.37 Ω 1% 1/8 W
1	R6		150 Ω 1/4 W
1	R7		5.23 K Ω 1% 1/4 W
1	R8		1.2 K Ω 1/4 W
1	R9		3.9 Ω 1/4 W
1	R11		2.7 K Ω 1/4 W
1	RS14		82 K Ω 1/4 W
1	T1	Cramer Coil CSM 1608-027	

1. Parts available from STMicroelectronics. "S" in legend denotes a surface mount part.

Table 3. Transformer specification

Parameter	Value
Primary inductance	1.65 mH
Core	C40 EE16

Figure 3. Cross section of the transformer



3 Connecting the demo board

This demo board has two connectors. Connect a DC voltage source capable of delivering up to 400 volts DC to connector J1. Be sure to connect the positive source to the + terminal of J1 and the negative to the terminal before turning on the input power. The minimum voltage to operate this demo board is 110 V_{DC}. Connect an electronic load or resistive load to J2.

4 Layout considerations

Some simple rules to improve performance and minimize noise should be followed:

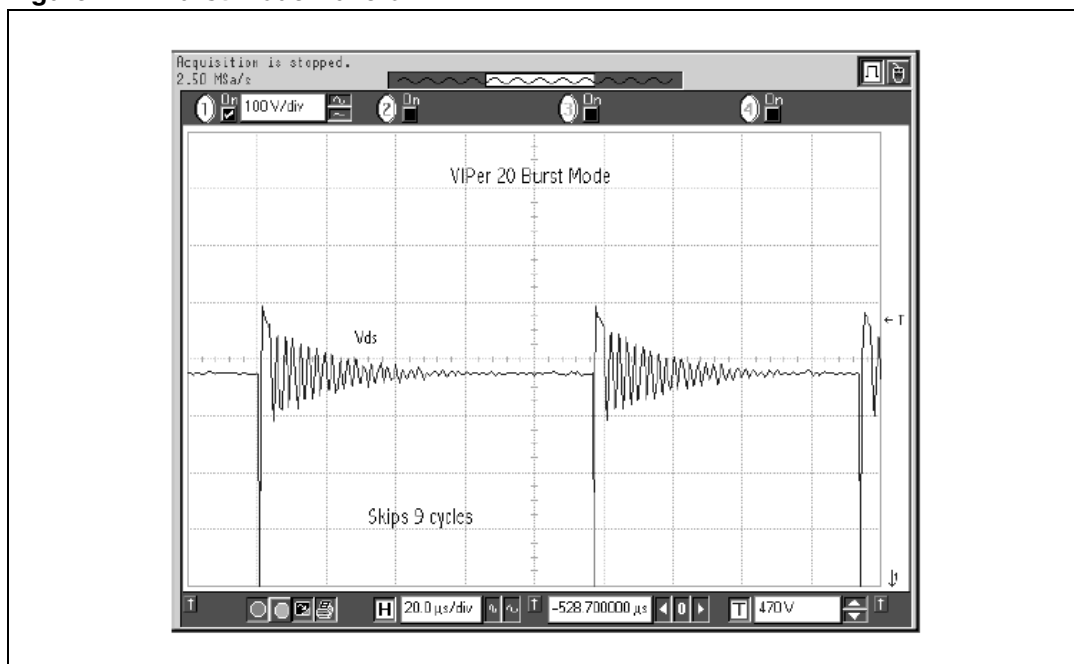
1. Minimize power loops. The switched power current paths inner loop area must be as small as possible. This can be accomplished by careful layout of the printed circuit board and the use of surface mount components. This avoids radiated and conducted EMI noise, and improves the efficiency by eliminating parasitic inductance, thus reducing or eliminating the need for snubbers and EMI filtering.
2. Use separate tracks for low level signal and power traces carrying fast switching pulses. This can be seen on the VIPer20ADIP-E pin 3 on the printed circuit lay out. When signal paths share the same trace as a power path, instabilities may result. The compensation components, CS6, RS3, and CS4 are on a separate trace connected directly to the source of the device.

5 Burst mode

When the output current is too low, the burst mode operation takes over automatically. This results in missing cycles as shown on the following scope waveform ([Figure 4](#)). V_{in} is 375 V_{DC} I_{OUT} is at no load.

As can be seen, there is one pulse out of ten pulses to reduce power consumption. The output ripple is negligible.

Figure 4. Burst mode waveform



6 Revision history

Table 4. Document revision history

Date	Revision	Changes
04-Jan-2004	3	Minor text changes
18-Oct-2007	4	<ul style="list-style-type: none"> – Document reformatted no content change – VIPer20A replaced by VIPer20A-E – VIPer20ADIP replaced by VIPer20ADIP-E

Please Read Carefully:

Information in this document is provided solely in connection with ST products. STMicroelectronics NV and its subsidiaries ("ST") reserve the right to make changes, corrections, modifications or improvements, to this document, and the products and services described herein at any time, without notice.

All ST products are sold pursuant to ST's terms and conditions of sale.

Purchasers are solely responsible for the choice, selection and use of the ST products and services described herein, and ST assumes no liability whatsoever relating to the choice, selection or use of the ST products and services described herein.

No license, express or implied, by estoppel or otherwise, to any intellectual property rights is granted under this document. If any part of this document refers to any third party products or services it shall not be deemed a license grant by ST for the use of such third party products or services, or any intellectual property contained therein or considered as a warranty covering the use in any manner whatsoever of such third party products or services or any intellectual property contained therein.

UNLESS OTHERWISE SET FORTH IN ST'S TERMS AND CONDITIONS OF SALE ST DISCLAIMS ANY EXPRESS OR IMPLIED WARRANTY WITH RESPECT TO THE USE AND/OR SALE OF ST PRODUCTS INCLUDING WITHOUT LIMITATION IMPLIED WARRANTIES OF MERCHANTABILITY, FITNESS FOR A PARTICULAR PURPOSE (AND THEIR EQUIVALENTS UNDER THE LAWS OF ANY JURISDICTION), OR INFRINGEMENT OF ANY PATENT, COPYRIGHT OR OTHER INTELLECTUAL PROPERTY RIGHT.

UNLESS EXPRESSLY APPROVED IN WRITING BY AN AUTHORIZED ST REPRESENTATIVE, ST PRODUCTS ARE NOT RECOMMENDED, AUTHORIZED OR WARRANTED FOR USE IN MILITARY, AIR CRAFT, SPACE, LIFE SAVING, OR LIFE SUSTAINING APPLICATIONS, NOR IN PRODUCTS OR SYSTEMS WHERE FAILURE OR MALFUNCTION MAY RESULT IN PERSONAL INJURY, DEATH, OR SEVERE PROPERTY OR ENVIRONMENTAL DAMAGE. ST PRODUCTS WHICH ARE NOT SPECIFIED AS "AUTOMOTIVE GRADE" MAY ONLY BE USED IN AUTOMOTIVE APPLICATIONS AT USER'S OWN RISK.

Resale of ST products with provisions different from the statements and/or technical features set forth in this document shall immediately void any warranty granted by ST for the ST product or service described herein and shall not create or extend in any manner whatsoever, any liability of ST.

ST and the ST logo are trademarks or registered trademarks of ST in various countries.

Information in this document supersedes and replaces all information previously supplied.

The ST logo is a registered trademark of STMicroelectronics. All other names are the property of their respective owners.

© 2007 STMicroelectronics - All rights reserved

STMicroelectronics group of companies

Australia - Belgium - Brazil - Canada - China - Czech Republic - Finland - France - Germany - Hong Kong - India - Israel - Italy - Japan - Malaysia - Malta - Morocco - Singapore - Spain - Sweden - Switzerland - United Kingdom - United States of America

www.st.com