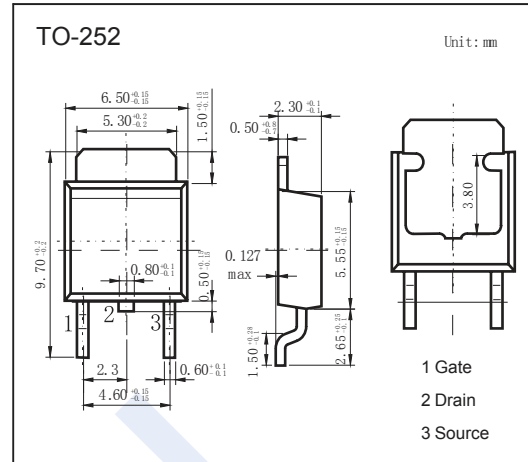
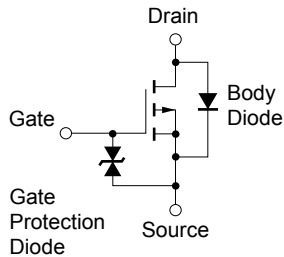


P-Channel MOSFET

2SJ600-Z

■ Features

- $V_{DS} (V) = -60V$
- $I_D = -25A$
- $R_{DS(ON)} < 50m\Omega$ ($V_{GS} = -10V$)
- $R_{DS(ON)} < 79m\Omega$ ($V_{GS} = -4V$)
- Low Ciss: Ciss = 1900 pF (TYP.)



■ Absolute Maximum Ratings $T_a = 25^\circ C$

Parameter	Symbol	Rating	Unit	
Drain-Source Voltage	V_{DS}	-60	V	
Gate-Source Voltage	V_{GS}	± 20		
Continuous Drain Current	I_D	-25	A	
Pulsed Drain Current (Note.1)	I_{DM}	-70		
Single Avalanche Current (Note.2)	I_{AS}	-25		
Power Dissipation	P_D	$T_c = 25^\circ C$	45	W
		$T_a = 25^\circ C$	1	
Single Avalanche Energy (Note.2)	E_{AS}	62.5	mJ	
Junction Temperature	T_J	150	$^\circ C$	
Junction Storage Temperature Range	T_{stg}	-55 to 150		

Note.1: $PW \leq 10\mu s$, Duty Cycle $\leq 1\%$

Note.2: Starting $T_J = 25^\circ C$, $R_G = 25\Omega$, $V_{GS} = -20V \rightarrow 0$

P-Channel MOSFET

2SJ600-Z

■ Electrical Characteristics Ta = 25°C

Parameter	Symbol	Test Conditions	Min	Typ	Max	Unit
Drain-Source Breakdown Voltage	V _{DSS}	I _D =-250 μA, V _{GS} =0V	-60			V
Zero Gate Voltage Drain Current	I _{DSS}	V _{DS} =-60V, V _{GS} =0V			-10	μA
Gate-Body leakage current	I _{GSS}	V _{DS} =0V, V _{GS} =±20V			±10	μA
Gate Cut off Voltage	V _{GS(off)}	V _{DS} =-10V, I _D =-1mA	-1.5		-2.5	V
Static Drain-Source On-Resistance	R _{DS(on)}	V _{GS} =-10V, I _D =-13A			50	mΩ
		V _{GS} =-4V, I _D =-13A			79	
Forward Transconductance	g _{FS}	V _{DS} =-10V, I _D =-13A	10	20		S
Input Capacitance	C _{iss}	V _{GS} =0V, V _{DS} =-10V, f=1MHz		1900		pF
Output Capacitance	C _{oss}			350		
Reverse Transfer Capacitance	C _{rss}			140		
Total Gate Charge	Q _g			38		
Gate Source Charge	Q _{gs}	V _{GS} =-10V, V _{DS} =-48V, I _D =-25A		7		nC
Gate Drain Charge	Q _{gd}			10		
Turn-On DelayTime	t _{d(on)}			9		
Turn-On Rise Time	t _r	V _{GS(on)} =-10V, V _{DS} =-30V, I _D =-13A, R _G =0Ω		10		ns
Turn-Off DelayTime	t _{d(off)}			67		
Turn-Off Fall Time	t _f			19		
Body Diode Reverse Recovery Time	t _{rr}			49		
Body Diode Reverse Recovery Charge	Q _{rr}	I _F =-25A, V _{GS} =0, di/dt=100A/μs		100		nC
Diode Forward Voltage	V _{SD}	I _F =-25A, V _{GS} =0V		-1		V