



TAI-SAW TECHNOLOGY CO., LTD.

No. 3, Industrial 2nd Rd., Ping-Chen Industrial District,
Taoyuan, 324, Taiwan, R.O.C.

TEL: 886-3-4690038 FAX: 886-3-4697532

E-mail: tstsales@mail.taisaw.com Web: www.taisaw.com


Product Specifications Approval Sheet

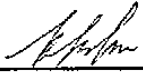
Product Description: SAW Filter 2017.5 MHz 15MHz BW SMD 1.4X1.1 mm

TST Part No.: TA1323A

Customer Part No.: _____

Customer signature required
Company: _____
Division: _____
Approved by : _____
Date: _____

Checked by: _____ Bob Chau 

Approved by: _____ Bob Chau 

Date: _____ 03, 25, 2013

1. Customer signed back is required before TST can proceed with sample build and receive orders.
2. Orders received without customer signed back will be regarded as agreement on the specifications.
3. Any specifications changes must be approved upon by both parties and a new revision of specifications shall be released to reflect the changes.



TAI-SAW TECHNOLOGY CO., LTD.

No. 3, Industrial 2nd Rd., Ping-Chen Industrial District,
Taoyuan, 324, Taiwan, R.O.C.

TEL: 886-3-4690038 FAX: 886-3-4697532

E-mail: tstsales@mail.taisaw.com Web: www.taisaw.com

SAW Filter 2017.5MHz 15MHz BW SMD 1.4X1.1 mm

MODEL NO.:TA1323A

REV. NO.:2.0

A. MAXIMUM RATING:

1. Input Power Level: 13 dBm (2000 hours)
2. DC Voltage : 3V
3. Operating Temperature: -30°C to +85°C
4. Storage Temperature: -40°C to +95°C

RoHS Compliant
Lead free
Lead-free soldering

Electrostatic Sensitive Device (ESD)

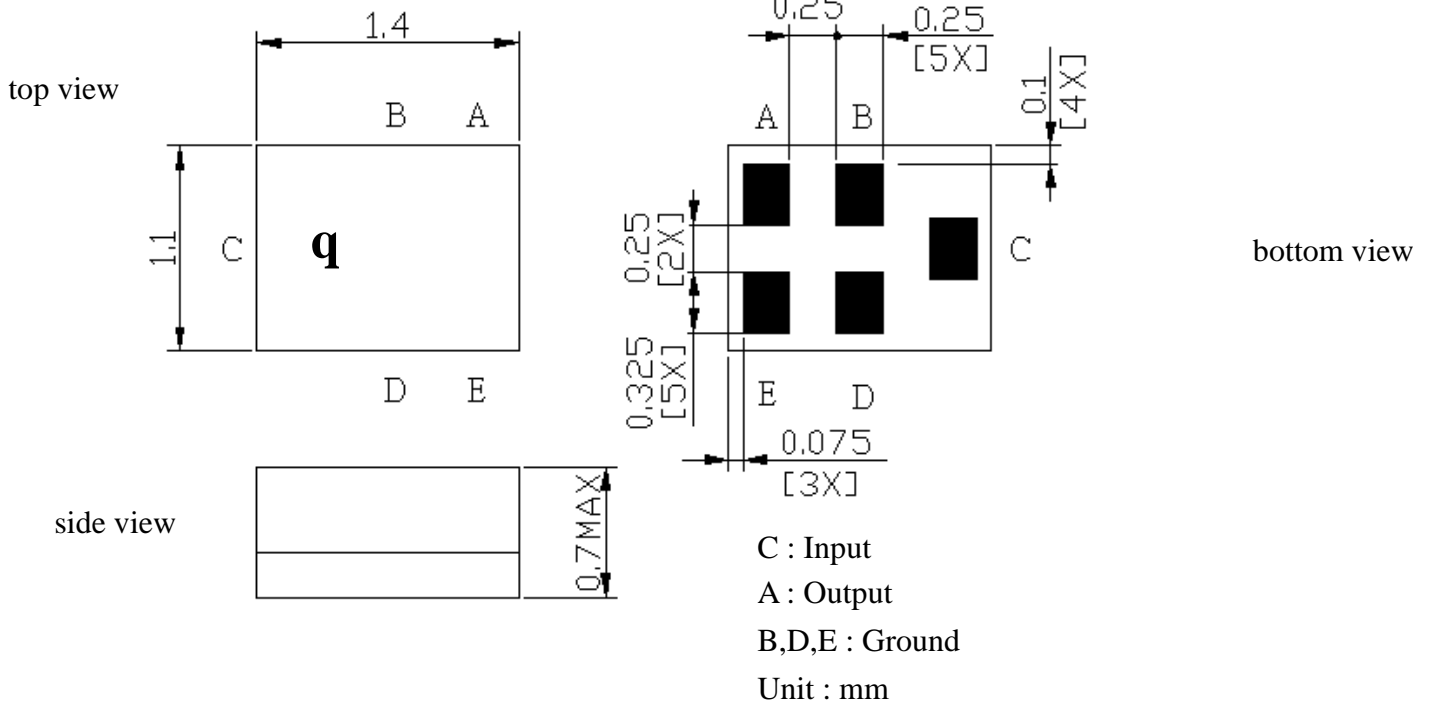
B. ELECTRICAL CHARACTERISTICS:

Terminating source impedance (single-ended) : $Z_s = 50$

Terminating load impedance (single-ended) : $Z_L = 50$

Item	Unit	Min.	Type.	Max.	Note
Center Frequency F_c	MHz	-	2017.5	-	-
Insertion Loss (2010~2025 MHz)	dB	-	2	2.8	-
Amplitude ripple (2010~2025 MHz)	dB	-	0.25	1	-
VSWR (2010~2025 MHz)		-	1.2	1.8	-
Attenuation (Reference level from 0 dB)					
1~1850 MHz	dB	41	45	-	-
1850~1950 MHz	dB	34	36	-	-
1950~1980 MHz	dB	15	19	-	-
2050~2075 MHz	dB	6	13	-	-
2075~2110 MHz	dB	23	37	-	-
2110~3500 MHz	dB	37	40	-	-
3500~4060 MHz	dB	34	40	-	-
4060~5000 MHz	dB	29	37	-	-
5000~5500 MHz	dB	25	35	-	-
5500~6000 MHz	dB	23	33	-	-
Temperature Coefficient of Frequency	ppm/	-	-36	-	-

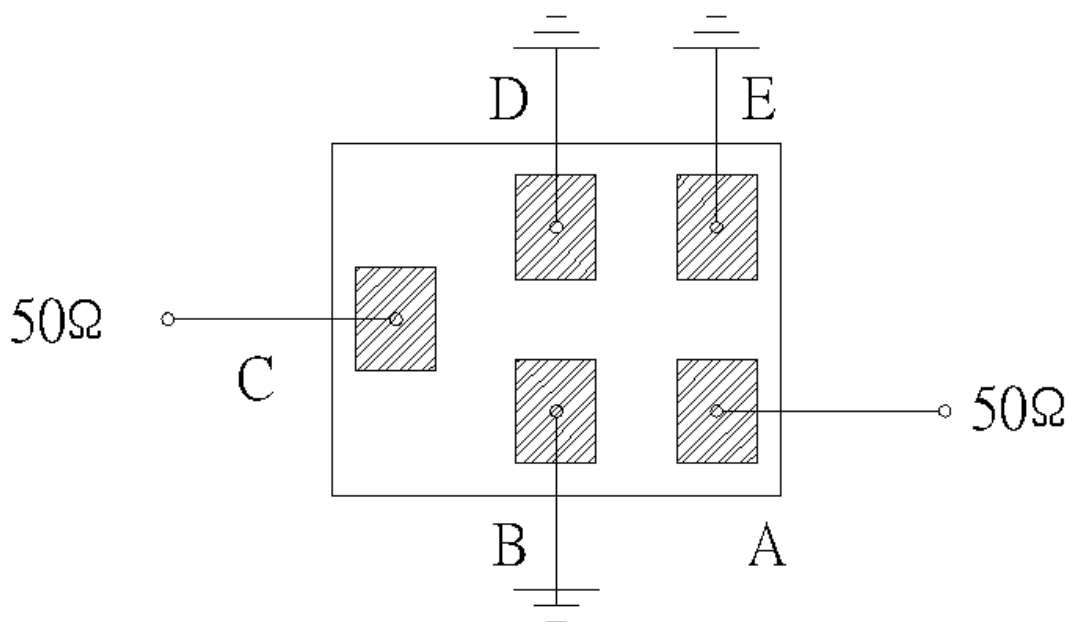
C.OUTLINE DRAWING:



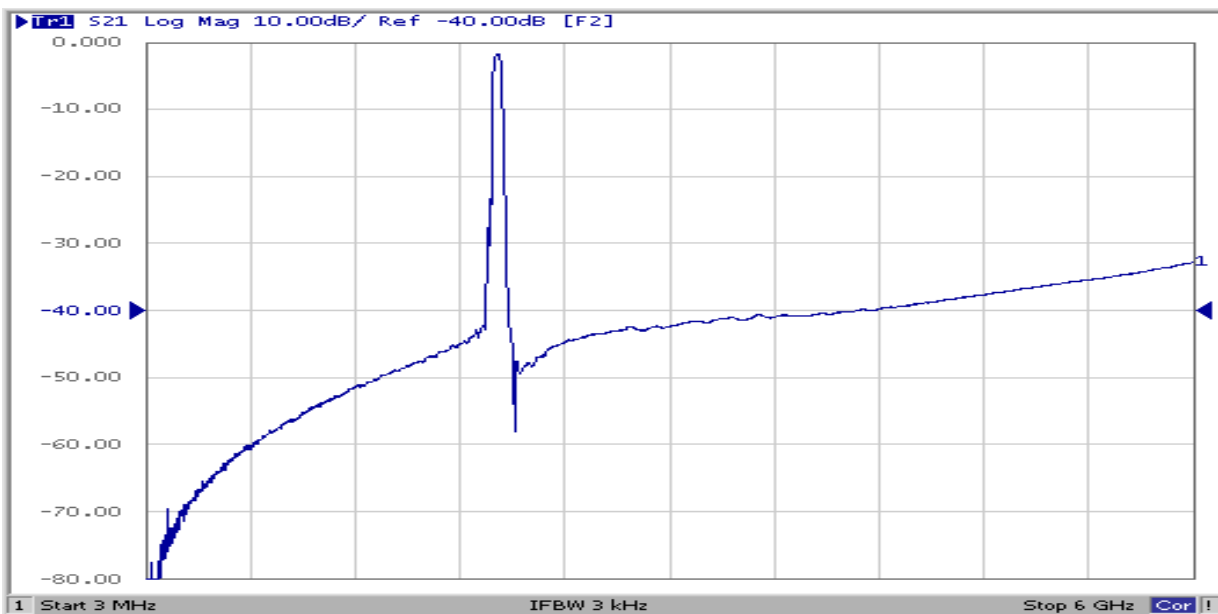
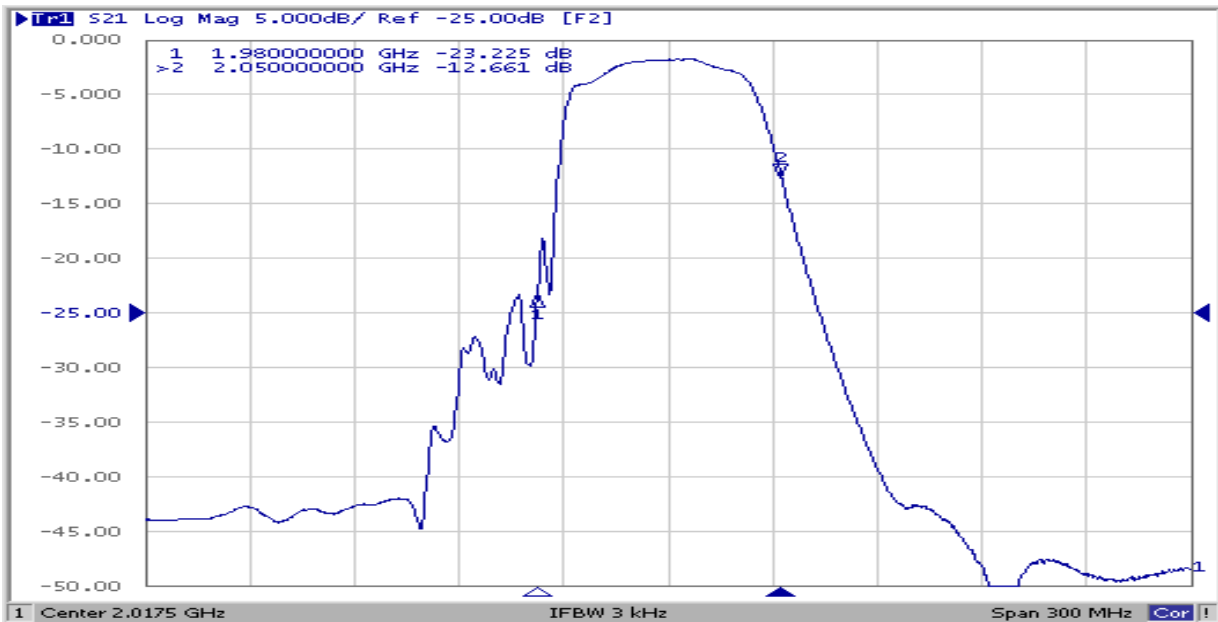
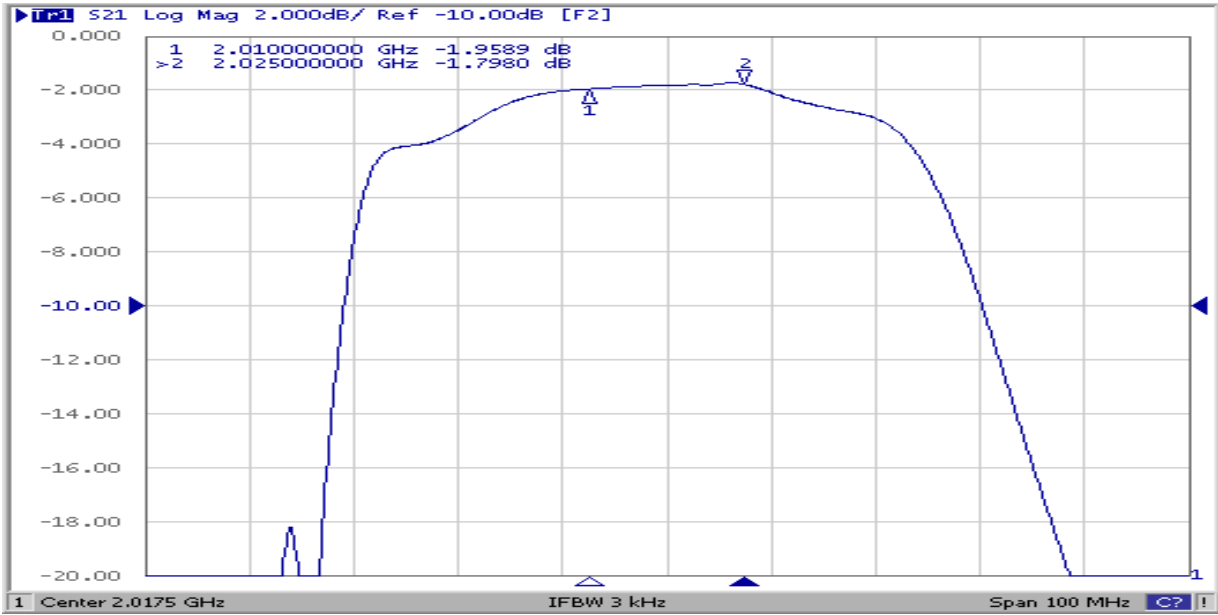
: Year/Month Code (Follow the table)

YEAR/Month	1	2	3	4	5	6	7	8	9	10	11	12
2013	A	B	C	D	E	F	G	H	J	K	L	M
2014	N	P	Q	R	S	T	U	V	W	X	Y	Z
2015	a	b	c	d	e	f	g	h	j	k	l	m
2016	n	p	q	r	s	t	u	v	w	x	y	z
2017	<u>A</u>	<u>B</u>	<u>C</u>	<u>D</u>	<u>E</u>	<u>F</u>	<u>G</u>	<u>H</u>	<u>J</u>	<u>K</u>	<u>L</u>	<u>M</u>
2018	<u>N</u>	<u>P</u>	<u>Q</u>	<u>R</u>	<u>S</u>	<u>T</u>	<u>U</u>	<u>V</u>	<u>W</u>	<u>X</u>	<u>Y</u>	<u>Z</u>
2019	<u>a</u>	<u>b</u>	<u>c</u>	<u>d</u>	<u>e</u>	<u>f</u>	<u>g</u>	<u>h</u>	<u>j</u>	<u>k</u>	<u>l</u>	<u>m</u>
2020	<u>n</u>	<u>p</u>	<u>q</u>	<u>r</u>	<u>s</u>	<u>t</u>	<u>u</u>	<u>v</u>	<u>w</u>	<u>x</u>	<u>y</u>	<u>z</u>

D. MEASUREMENT CIRCUIT:

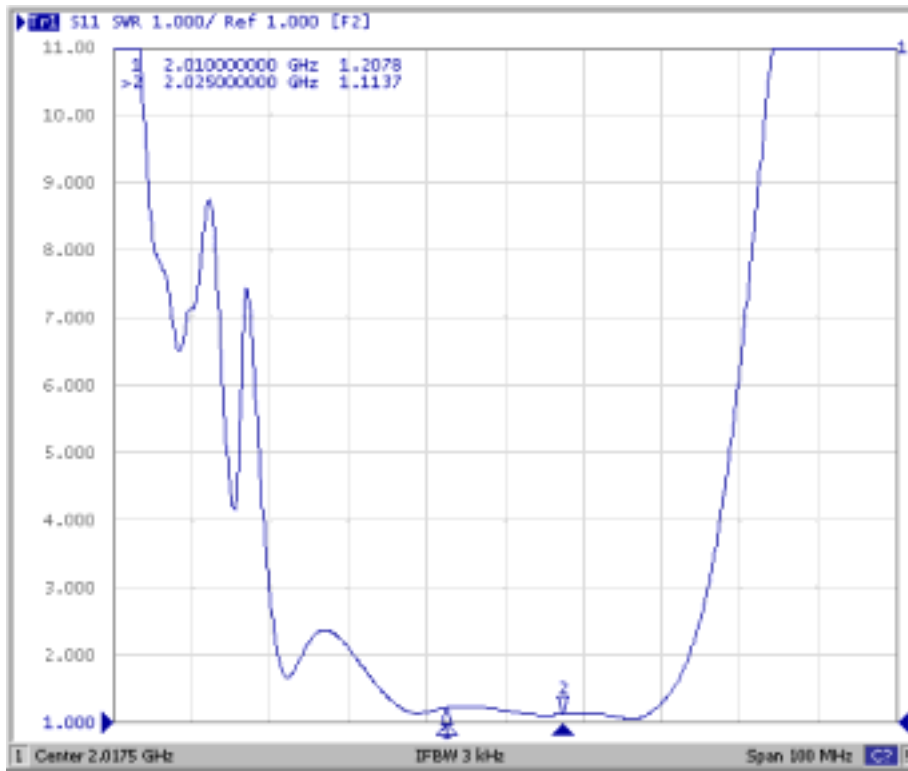


E. Frequency Characteristics :

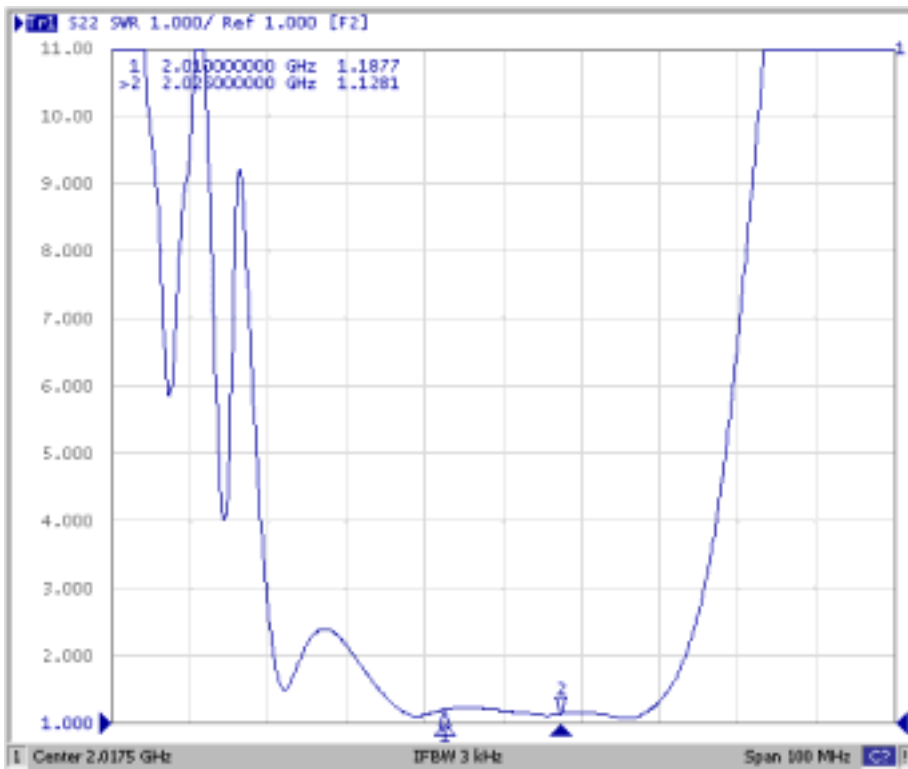


Reflection Functions :

S11



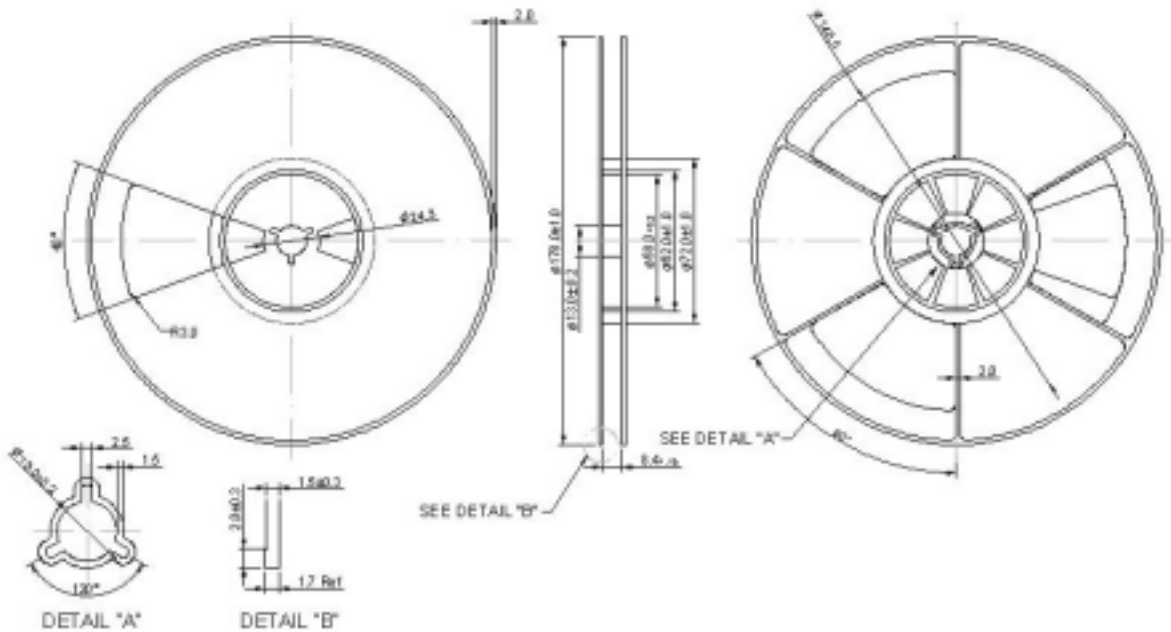
S22



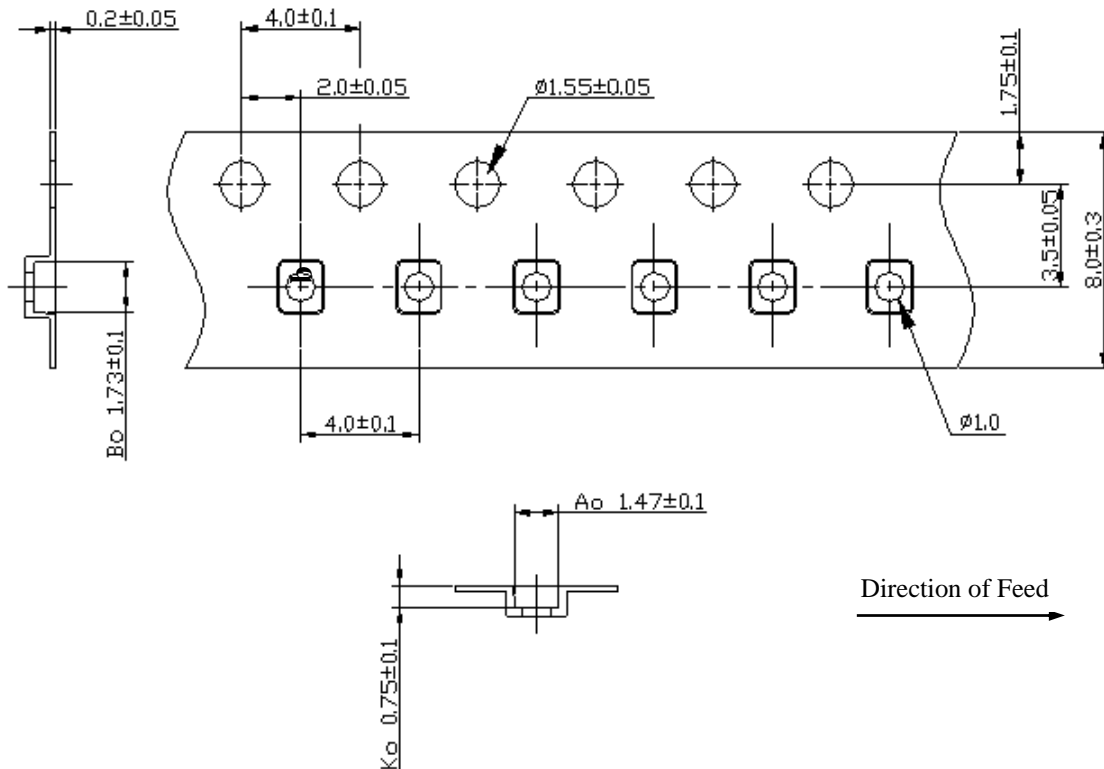
F. PACKING:

1. REEL DIMENSION

(Please refer to FR-75D10 for packing quantity)



2. TAPE DIMENSION



G. RECOMMENDED REFLOW PROFILE :

1. Preheating shall be fixed at 150~180 for 60~90 seconds.
2. Ascending time to preheating temperature 150 shall be 30 seconds min.
3. Heating shall be fixed at 220 for 50~80 seconds and at 245~260 peak (min. 10sec).
4. Time : 2 times.

