



Solid State Devices, Inc.

14701 Firestone Blvd * La Mirada, Ca 90638
 Phone: (562) 404-4474 * Fax: (562) 404-1773
 ssdi@ssdi-power.com * www.ssdi-power.com

Designer's Data Sheet

FEATURES:

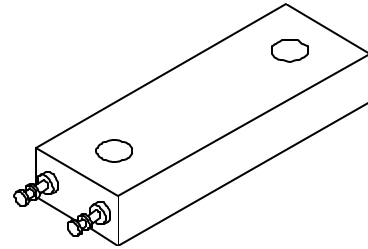
- 7.50-100 Volt Unidirectional
- Smaller than 704-15K35 and 704-15K36T types
- Hermetically Sealed
- Meets all environmental requirements of MIL-PRF-19500
- Custom Configurations Available
- TX and TXV Screening Available

APPLICATIONS:

- Protection of Voltage Sensitive Components
- Protection Against Power Interruption
- Lightning Protection

STA15K7.5P thru STA15K100P

**15,000 WATTS
PEAK PULSE POWER
7.5 – 100 VOLTS
UNIDIRECTIONAL
TRANSIENT VOLTAGE SUPPRESSOR**

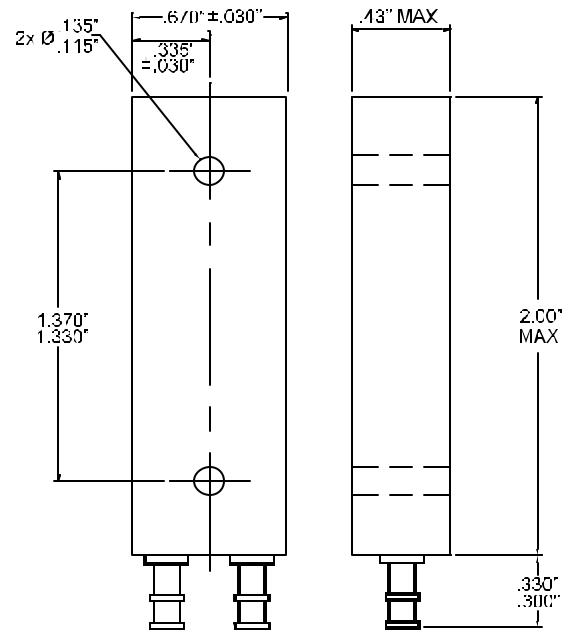


Maximum Ratings

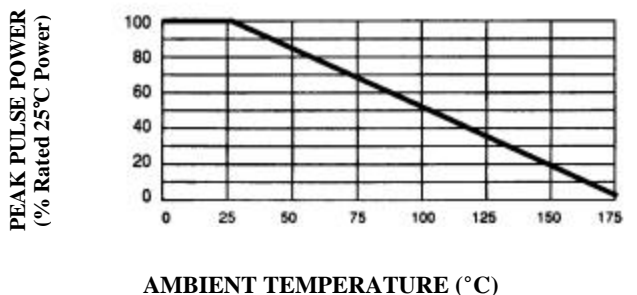
| | | | |
|--|-----------------|--------|-------|
| Stand Off Voltage | V_{RWM} | 5.6-75 | Volts |
| Steady State Power Dissipation | P_D | 100 | Watts |
| Peak Pulse Power @ 1.0 msec | P_{PP} | 15,000 | Watts |
| Peak Pulse Power and Steady State Power Derating | SEE GRAPH | | |
| Peak Pulse Power and Pulse Width | SEE GRAPH | | |
| Operating and Storage Temperature | -65°C to +175°C | | |

Note:

SSDI Transient Suppressors offer standard Breakdown Voltage Tolerances of $\pm 10\%$ (A) and $\pm 5\%$ (B). For other Voltage and Voltage Tolerances, contact SSDI's Marketing Department



PEAK PULSE POWER VS. TEMPERATURE DERATING CURVE



Package shown is standard configuration. SSDI can custom design your module with terminals that meet your unique design criteria. Additionally, SSDI can package these devices with an irregular footprint or offset mounting positions. This data sheet is meant to serve as an example of SSDI's Transient Protection Module Capabilities. For custom configurations, please contact SSDI's Marketing Department.

NOTE: All specifications are subject to change without notification. SCD's for these devices should be reviewed by SSDI prior to release.

DATA SHEET #: T00006C

DOC



Solid State Devices, Inc.
 14701 Firestone Blvd, La Mirada, Ca 90638
 Phone: (562) 404-4474
 Fax: (562) 404-1773
 ssdi@ssdi-power.com
 www.ssdi-power.com

**STA15K7.5P thru
STA15K100P**

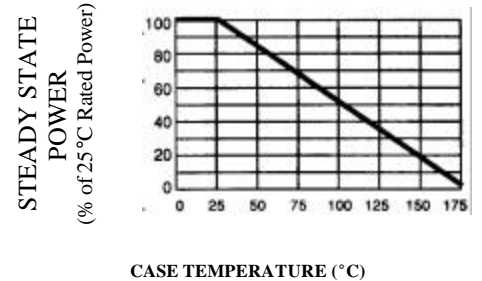
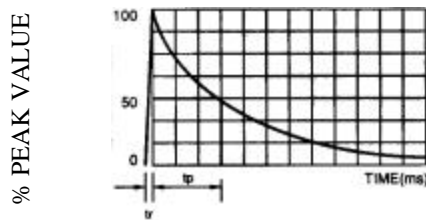
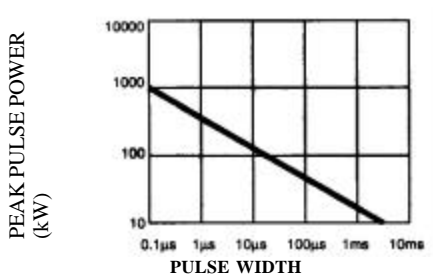
ELECTRICAL CHARACTERISTICS

| Part Number (note 5) | Break Down (note 1) | | Max Reverse Stand Off | | Peak Pulse Clamping | | Maximum Continuous Current (note 4) | Dynamic Impedance (note 2) | Max Temperature Coefficient |
|-------------------------|---------------------|--------------|-----------------------|-------------------------|---------------------|---------------------------------|--|-------------------------------|-----------------------------|
| | Nominal Voltage | Test Current | Voltage | Reverse Leakage Current | Voltage (Max) | @ Current Tp=1ms (note 4) | | | |
| | V_{BR} | @ I_{BRT} | V_{RWM} | $I_R @ V_{RWM}$ | V_C | I_{PP} | | | |
| | Volts | Amps | Volts | mA | Volts | Amps | Amps | Ohms | %/°C |
| STA15K7.5P | 7.5 | 1.75 | 5.6 | 15.0 | 11.7 | 1280 | 12.5 | 0.07 | .03 |
| STA15K8.2P | 8.2 | 1.50 | 6.2 | 12.0 | 12.5 | 1200 | 11.5 | 0.08 | .03 |
| STA15K9.1P | 9.1 | 1.50 | 6.8 | 0.40 | 13.8 | 1090 | 10.2 | 0.09 | .03 |
| STA15K10P | 10 | 1.25 | 7.5 | 0.20 | 15.0 | 1000 | 9.5 | 0.10 | .05 |
| STA15K11P | 11 | 1.25 | 8.2 | 0.15 | 16.2 | 930 | 8.6 | 0.11 | .05 |
| STA15K12P | 12 | 1.00 | 9.1 | 0.10 | 17.3 | 870 | 7.7 | 0.11 | .05 |
| STA15K13P | 13 | 1.00 | 10 | 0.04 | 19.0 | 790 | 7.0 | 0.12 | .05 |
| STA15K15P | 15 | 0.75 | 11 | 0.02 | 22.0 | 680 | 6.0 | 0.12 | .05 |
| STA15K16P | 16 | 0.75 | 12 | 0.02 | 23.5 | 640 | 5.5 | 0.13 | .06 |
| STA15K18P | 18 | 0.65 | 13 | 0.02 | 26.5 | 570 | 5.0 | 0.13 | .06 |
| STA15K20P | 20 | 0.65 | 15 | 0.02 | 29.0 | 520 | 4.4 | 0.15 | .06 |
| STA15K22P | 22 | 0.50 | 16 | 0.02 | 31.9 | 470 | 3.9 | 0.16 | .06 |
| STA15K24P | 24 | 0.50 | 18 | 0.02 | 34.7 | 430 | 3.6 | 0.18 | .06 |
| STA15K27P | 27 | 0.50 | 20 | 0.02 | 38.5 | 390 | 3.1 | 0.25 | .06 |
| STA15K30P | 30 | 0.40 | 22 | 0.02 | 42.9 | 350 | 2.8 | 0.40 | .06 |
| STA15K33P | 33 | 0.40 | 24 | 0.02 | 46.9 | 320 | 2.6 | 0.50 | .06 |
| STA15K36P | 36 | 0.30 | 27 | 0.02 | 50.0 | 300 | 2.4 | 0.60 | .06 |
| STA15K39P | 39 | 0.30 | 30 | 0.02 | 55.6 | 270 | 2.1 | 0.70 | .06 |
| STA15K43P | 43 | 0.30 | 33 | 0.02 | 60.0 | 250 | 1.8 | 1.0 | .06 |
| STA15K47P | 47 | 0.25 | 36 | 0.02 | 65.2 | 230 | 1.75 | 1.2 | .07 |
| STA15K51P | 51 | 0.25 | 39 | 0.02 | 71.4 | 210 | 1.7 | 1.4 | .07 |
| STA15K56P | 56 | 0.20 | 43 | 0.02 | 78.9 | 190 | 1.6 | 1.8 | .07 |
| STA15K62P | 62 | 0.20 | 47 | 0.02 | 88.2 | 170 | 1.5 | 2.0 | .07 |
| STA15K68P | 68 | 0.20 | 51 | 0.02 | 93.7 | 160 | 1.3 | 2.2 | .08 |
| STA15K75P | 75 | 0.20 | 56 | 0.02 | 107.1 | 140 | 1.2 | 2.5 | .08 |
| STA15K82P | 82 | 0.15 | 62 | 0.02 | 115.4 | 130 | 1.1 | 3.0 | .08 |
| STA15K91P | 91 | 0.15 | 68 | 0.02 | 125.0 | 120 | 1.0 | 4.0 | .08 |
| STA15K100P | 100 | 0.15 | 75 | 0.02 | 136.4 | 110 | .9 | 4.5 | .09 |

PEAK PULSE POWER VS. PULSE WIDTH

CURRENT PULSE WAVEFORM

STEADY STATE POWER DERATING



For optional high reliability screening or higher zener voltages, consult SSDI MARKETING Department.

Notes:

1. All voltages are measured with automated test set using 35 msec test time. Longer or shorter test times will have a corresponding effect on the measured value due to heating effects.
2. Dynamic impedance is derived from the AC voltage divided by the AC current with RMS value of 10% of DC test current superimposed on the test current.
3. Ratings based on 25° C case temperature.
4. Pulse width (tp) is defined as the time from rated peak pulse current IPP to the point where peak pulse current decayed to 50% of rated IPP. (10ms X 1000ms waveform as defined by R.E.A.)
5. Part Number- For 5% Voltage Tolerance, specify "B" in place of "A"