

SMT FLYBACK TRANSFORMER FOR PHOTOFLASH CAPACITOR CHARGER

For use with Linear Technology's LT3420



- Lowest cost transformer solution
- Optimized design for lowest leakage inductance and secondary side capacitance
- Smallest footprint available: 9.1mm x 9.1mm maximum
- Low profile - height is .205" (5,20mm) maximum

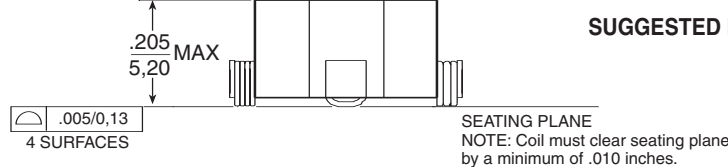
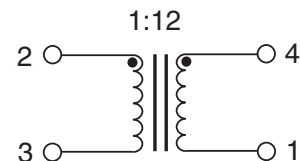
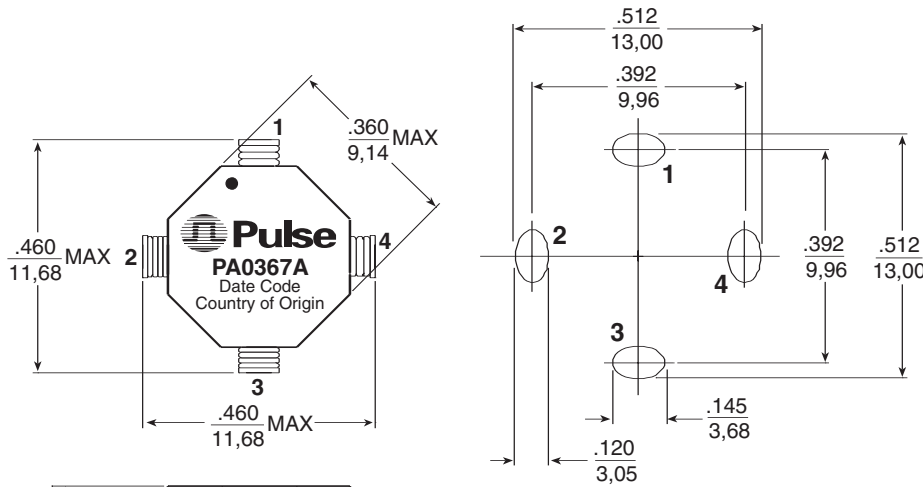
Electrical Specifications @ 25°C — Operating Temperature -40°C to 130°C

Pulse Number	Inductance @ Irated (μH MIN)	Irated (Adc)	Turns ratio (Pri:Sec)	Leakage Inductance (μH MAX)	DCR		Primary Secondary Isolation
					Primary (mΩ MAX)	Secondary (Ω MAX)	
PA0367A	18	1.5	1:12	0.75	180	18	500Vrms

NOTES: The PA0367A is a modified version of the Pulse PA0367 which was tested and approved by Linear Technology for use with the LT3420. The PA0367 has now been discontinued. the PA0367A has the same mechanical footprint and size as the PA0367 and meets the requirements of the LT3420 specifications.

Mechanical

Schematic



Weight0.8 grams
Tape & Reel400/reel

Dimensions: $\frac{\text{Inches}}{\text{mm}}$
Unless otherwise specified, all tolerances are $\pm \frac{.010}{.025}$

For More Information :

UNITED STATES (Worldwide)	UNITED KINGDOM (Northern Europe)	FRANCE (Southern Europe)	SINGAPORE (Southern Asia)	TAIWAN, R.O.C. (Northern Asia)	HONG KONG (China/Hong Kong)	DISTRIBUTOR
12220 World Trade Drive San Diego, CA 92128 U.S.A. http://www.pulseeng.com TEL: 858 674 8100 FAX: 858 674 8262	3 Huxley Road Surrey Research Park Guildford, Surrey GU2 5RE United Kingdom TEL: 44 1483 401700 FAX: 44 1483 401701	Zone Industrielle F-39270 Orgelet France TEL: 33 3 84 35 04 04 FAX: 33 3 84 25 46 41	150 Kampong Ampat #07-01/02 KA Centre Singapore 368324 TEL: 65 6287 8998 FAX: 65 6280 0080	3F-4, No. 81, Sec. 1 HsinTai Wu Road Hsi-Chih, Taipei Hsien Taiwan, R.O.C. Tel: 886 2 2698 0228 FAX: 886 2 2698 0948	9/F, Phase 2, Tai Sang Shatin Warehouse Centre 6 Wong Chuk Yeung Street Fotan, Shatin, Hong Kong TEL: 852 2788 6588 FAX: 852 2776 1055	

Performance warranty of products offered on this data sheet is limited to the parameters specified. Data is subject to change without notice. Other brand and product names mentioned herein may be trademarks or registered trademarks of their respective owners.

Mouser Electronics

Authorized Distributor

Click to View Pricing, Inventory, Delivery & Lifecycle Information:

Pulse:

[PA0367ANLT](#)