

# General Purpose IEC Fuses



## NH Fuses (Plain Blades) 400V gTr

### NH-fuses, 400VAC gTr

with non-isolated gripping lugs, double indicator, contact blades, complying with DIN VDE 0636 Part 22, DIN VDE 0636 Part 201

Size	Voltage	Transformer capacity (kVA)	Rated current $I_N$ (A)	Power dissipation (W)	FS ref.-no.	Previous ref.	weight kg/pce	pack.	Catalog Number
2	400	50,0	72		H232813 <sup>(2)</sup>	5A251.	0,37	1	NH2GTR50KVA
2	400	75,0	108		G232812 <sup>(2)</sup>	5A257.	0,37	1	NH2GTR75KVA
2	400	100,0	145	12,0	B232807 <sup>(2)</sup>	5A263.	0,37	1	NH2GTR100KVA
2	400	125,0	181	15,0	C232808 <sup>(2)</sup>	5A265.	0,37	1	NH2GTR125KVA
2	400	160,0	231	18,4	D232809 <sup>(2)</sup>	5A269.	0,37	1	NH2GTR160KVA
2	400	200,0	289	22,0	E232810 <sup>(2)</sup>	5A271.	0,37	1	NH2GTR200KVA
2	400	250,0	361	27,0	F232811 <sup>(2)</sup>	5A275.	0,37	1	NH2GTR250KVA
3	400	250,0	361	26,0	J232814 <sup>(2)</sup>	5A375.	0,61	1	NH3GTR250KVA
3	400	315,0	455	34,0	K232815 <sup>(2)</sup>	5A379.	0,61	1	NH3GTR315KVA
3	400	400,0	578	39,0	L232816 <sup>(2)</sup>	5A383.	0,61	1	NH3GTR400KVA
3	400	500,0	723		M232817	5A387.	0,81	1	NH3GTR500KVA
3	400	630,0	910		N232818	5A389.	0,81	1	NH3GTR630KVA

#### contact blades for NH-bottom size 4a with swivel unit

4a	400	100,0	145	11,4 *	T212997	8008.100005	2,09	1	NH4AGTR100KVA-8
4a	400	125,0	181	14,5 *	Y213507	8008.125005	2,17	1	NH4AGTR125KVA-8
4a	400	160,0	231	17,8 *	Z214014	8008.160005	1,95	1	NH4AGTR160KVA-8
4a	400	200,0	289	20,6 *	C214523	8008.200005	1,95	1	NH4AGTR200KVA-8
4a	400	250,0	361	25,7 *	F215032	8008.250005	2,13	1	NH4AGTR250KVA-8
4a	400	315,0	455	33,2 *	M215544	8008.315005	1,95	1	NH4AGTR315KVA-8
4a	400	400,0	578	38,1 *	S216055	8008.400005	1,95	1	NH4AGTR400KVA-8
4a	400	500,0	723	53,2 *	V216563	8008.500005	1,95	1	NH4AGTR500KVA-8
4a	400	630,0	910	68,7 *	E217078	8008.630005	1,95	1	NH4AGTR630KVA-8
4a	400	800,0	1155	90,4 *	R217595	8008.800005	2,10	1	NH4AGTR800KVA-8

\*) with indicator on top

<sup>(2)</sup> These fuses are able to operate at 500VAC (tested at 550V +0 +5%).

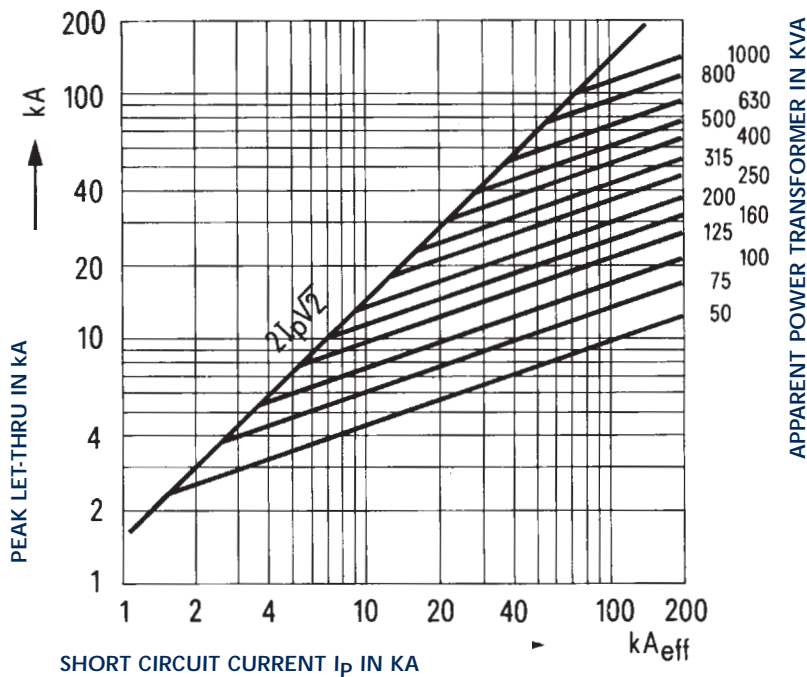
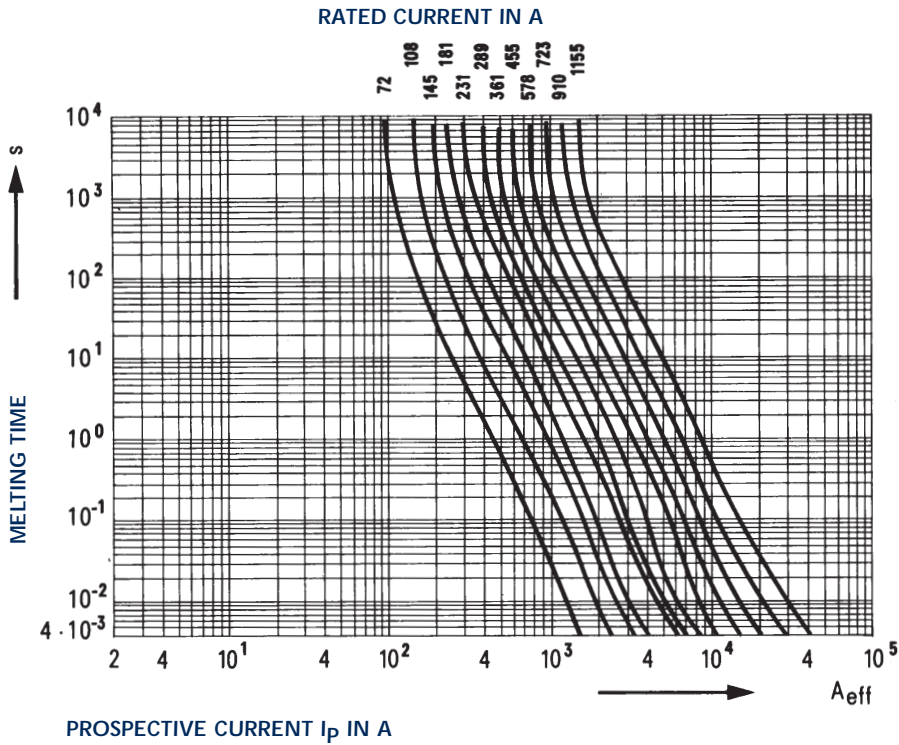
# General Purpose IEC Fuses



## NH Fuses (Plain Blades) 400V gTr gTr Curves Set

NH-fuses, 400VAC gTr

### Time VS. Current Characteristics

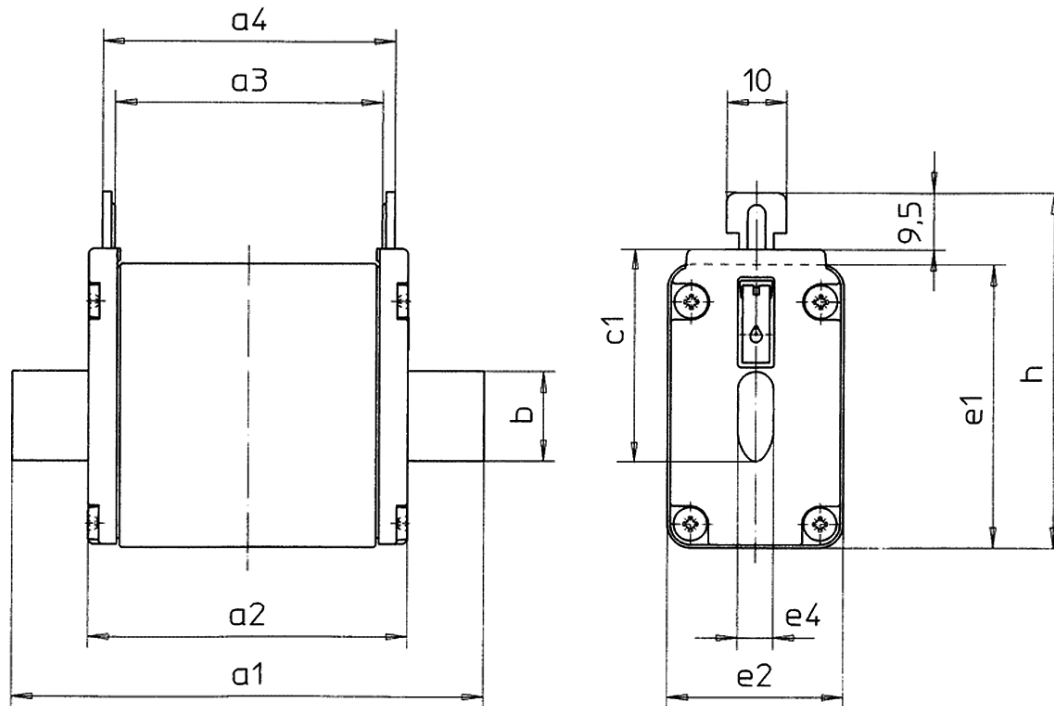


# General Purpose IEC Fuses



## NH Fuses (Plain Blades) gG/aM Mechanics for ceramic Body

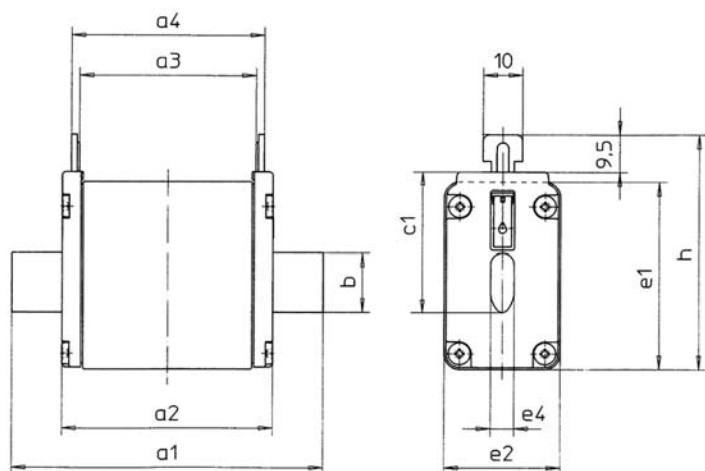
### NH Fuses-links



Size	Rated current $I_N(A)$	a1	a2	a3	a4	b	c1	e1	e2	e4	h
<b>Standard 400V and 500V gG with non-isolated gripping lugs</b>											
size 000	2 – 100A	79	52	45,5	49,5	15	35	40,5	20,8	6	52,5
size 00	125/160A	79	52,8	45	50	15	35	47,5	29,5	6	59,5
size 0	2 – 160A (500V)	125	66,8	61	66	15	35	47,5	29,5	6	59,5
size 116	100A (500V), 16 – 125A (400V)	135	70,8	63	68	15	40	47,5	29,5	6	64,5
size 1125	355A (500V), 160 – 250A (400V)	135	70,8	63	68	20	40	52,5	39,5	6	64,5
size 2	16 – 250A	150	72,3	63	68	20	48	52,5	39,5	6	72,5
size 2	300 – 500A	150	72,3	63	68	26	48	60	51	6	72
size 3	250 – 400A	150	72,3	63	68	26	60	60	51	6	83,5
size 3	425 – 800A	150	72,3	63	68	33	60	74	70	6	86
size 4	400 – 1250A	200	85	62	68	49	86	108	90	8	117,5
size 4a	500 – 1250A	200	85	84	90	49	86	108	90	6	117,5
<b>Standard 400V and 500V gG (SGL) with isolated gripping lugs</b>											
size 000	2 – 100A	78	53,4	45,7	49,7	15	35	40,5	20,8	6	52,5
size 00	125/160A	79	53,5	44,8	49	15	35	47,5	29,5	6	59,5
size 0	2 – 160A (500V)	125	67,5	62,5	66,7	15	35	47,5	29,5	6	59,5
size 116	100A (500V), 16 – 125A (400V)	135	71,5	62,8	67	15	40	47,5	29,5	6	64,5
size 1125	250A (500V), 160 – 250A (400V)	135	73,4	63	67,2	20	40	52,5	39,5	6	64,5
size 2	16 – 250A	150	73,4	63	67,2	20	48	52,5	39,5	6	72,5

# General Purpose IEC Fuses

## NH Fuses (Plain Blades) gG/aM Mechanics for ceramic Body



NH Fuses-links

Size	Rated current $I_N$ (A)	a1	a2	a3	a4	b	c1	e1	e2	e4	h
size 2	300 – 400A	150	73,4	63	67,2	26	48	60	51	6	72
size 3	250 – 400A	150	73,4	63	68	26	60	60	51	6	83,5
size 3	425 – 630A	150	73,4	63	68	33	60	74	70	6	86
<b>NH 690V gG with non-isolated gripping lugs</b>											
size 000	2 – 35A	79	53,8	45	49	15	35,8	40	20	6	47,8
size 00	40 – 100A	79	53,8	45	49	15	35,8	48	30	6	47,8
size 1	16 – 160A	135	75	64	68	20	40	44	30	6	52
size 1	200 – 250A	135	75	64	68	20	40	47	39	6	52
size 2	35 – 100A	150	75	64	68	26	48	44	30	6	60
size 2	125 – 315A	150	75	64	68	26	60	47	39	6	72
size 3	250 – 300A	150	75	64	68	26	60	47	39	6	72
size 3	315 – 425A	150	75	64	68	33	60	58	51	6	72
size 3	500A	150	75	64	68	33	70	64	64	6	72
size 4	400 – 800A	200	85	62	68	49	86	108	90	8	117,5
size 4a	400 – 800A	200	85	84	90	49	86	108	90	6	117,5
<b>NH 690V gG (SGL) with isolated gripping lugs</b>											
size 000	2 – 35A	79	53,8	45	49	15	35,8	40,5	21	6	47,8
size 0	40 – 125A	79	53,8	45	49	15	35,8	40,5	30	6	47,8
size 1	35 – 200A	135	75	64	68	20	40	51	39	6	52
size 2	32 – 200A	150	75	64	68	26	48	51	39	6	60
size 2	250 – 315A	150	75	64	68	26	48	60	46	6	60
size 3	250 – 315A	150	73,4	63	68	26	60	60	51	6	83,5
size 3	350 – 425A	150	73,4	63	68	33	60	74	70	6	86
<b>NH 500V aM with non-isolated gripping lugs</b>											
size 000	2 – 80A	79	53,8	45	49	15	35,8	40,5	21	6	47,8
size 00	100 – 160A	79	53,8	45	49	15	35,8	40,5	30	6	47,8
size 0	100 – 200A	125	68	64	68	15	35,8	44	30	6	47,8
size 1	160 – 250A	135	75	64	68	20	40	47	39	6	52
size 2	250 – 500A	150	75	64	68	26	48	47	39	6	60
size 3	315 – 630A	150	75	64	68	33	60	58	51	6	72
size 4	630 – 1250A	200	85	62	68	49	86	108	90	8	117,5
<b>NH 690V aM with non-isolated gripping lugs</b>											
size 000	2 – 80A	79	52	45,5	49,5	15	35	40,5	20,8	6	52,5
size 00	50 – 160A	79	52,8	45	50	15	35	47,5	29,5	6	59,5
size 0	6 – 200A	125	66,8	61	66	15	35	47,5	29,5	6	59,5
size 1	16 – 315A	135	70,8	63	68	20	40	52,5	39,5	6	64,5
size 2	35 – 500A	150	72,3	63	68	26	48	60	51	6	72
size 3	250 – 630A	150	72,3	63	68	33	60	74	70	6	86
size 4	400 – 1250A	200	85	62	68	49	86	108	90	8	117,5
size 4a	500 – 1250A	200	85	84	90	49	86	108	90	6	117,5
<b>NH 400/500V gTr with non-isolated gripping lugs</b>											
size 2	50 – 250kVA	150	72,3	63	68	26	48	60	51	6	72
size 3	250 – 400kVA (500V), 500 – 630VA (400V)	150	72,3	63	68	33	60	74	70	6	86
size 4a	100 – 800kVA	200	85	84	90	49	86	108	90	6	117,5