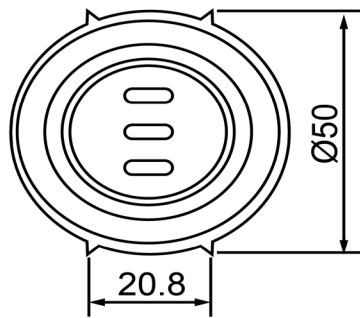
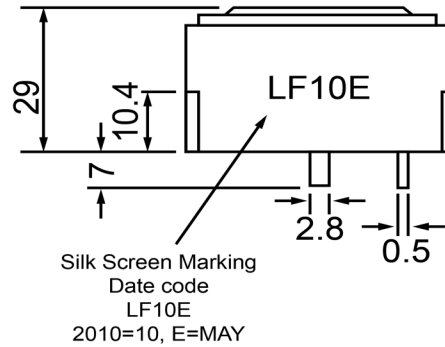


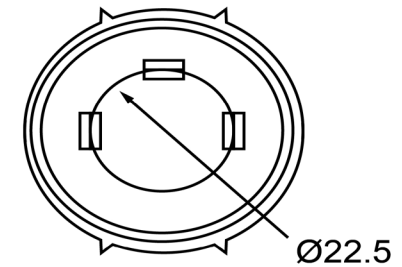
TOP VIEW




SIDE VIEW



BOTTOM VIEW



Specifications			Notes	Revision History					
Description	Value	Unit		Version	Description	Date	Approved		
Technology	Piezo		1) All dimensions are in mm unless otherwise noted 2) All parts meet RoHS 	1	Released from Engineering	10/21/2013	J.S		
Resonant Frequency	2,500	(Hz)							
Rated Voltage	12	(V)							
SPL @ 10cm	115	(dBA)							
Tone	Single								
Mount Type	Thru-hole								
Voltage Range	3 ~ 13	(V)							
Max Rated Current	75	(mA)							
Housing Material	ABS								
Operating Temperature	-20 ~ +60	°C							
Storage Temperature	-20 ~ +60	°C							
Weight	40	(g)							
				Piezo Indicator			IP502512-1		
				Drawn by A.B.	Date 10/21/2013	Checked by C.E.	Date 10/21/2013	Approved by J.S	Date 10/21/2013