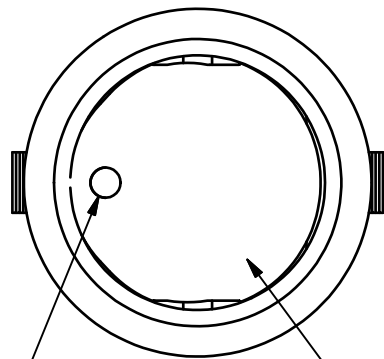


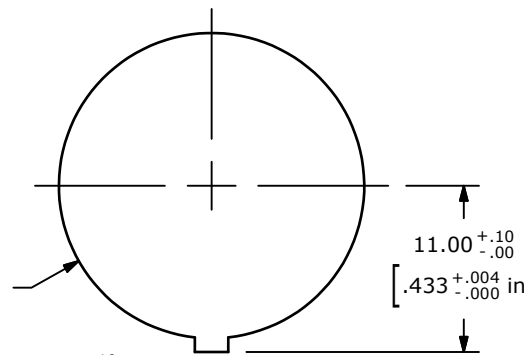
▲ SWITCH FUNCTION		
POS. 1	POS. 2	POS. 3
ON	OFF	ON
2-1	OPEN	2-3



▲ "A" DOT MARKING
WHITE

R20.20 $\begin{smallmatrix} +.10 \\ -.00 \end{smallmatrix}$
[.795 $\begin{smallmatrix} +.004 \\ -.000 \end{smallmatrix}$ in]

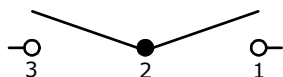
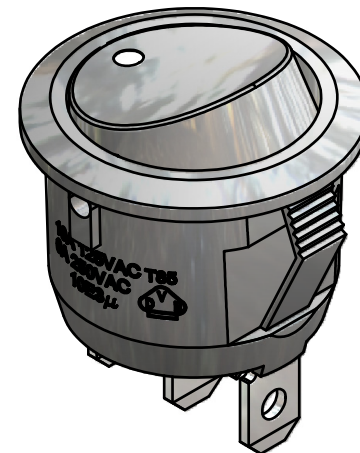
▲ ACTUATOR COLOR:
BLACK



2.20 $\begin{smallmatrix} +.10 \\ -.00 \end{smallmatrix}$
[.087 $\begin{smallmatrix} +.004 \\ -.000 \end{smallmatrix}$ in]

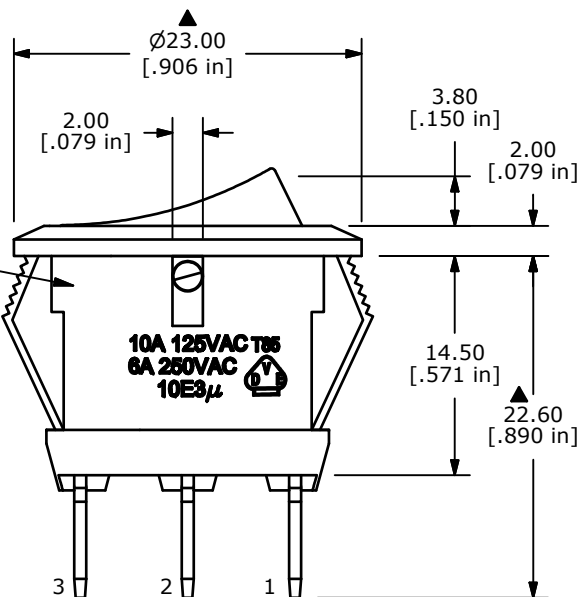
11.00 $\begin{smallmatrix} +.10 \\ -.00 \end{smallmatrix}$
[.433 $\begin{smallmatrix} +.004 \\ -.000 \end{smallmatrix}$ in]

RECOMMENDED PANEL MOUNTING

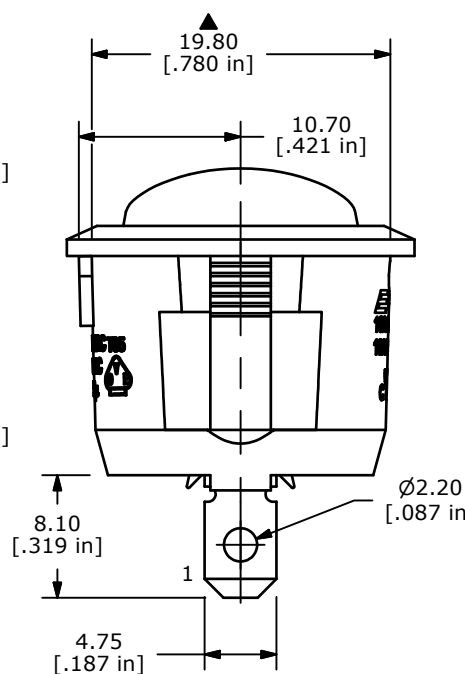


CIRCUIT: SPDT

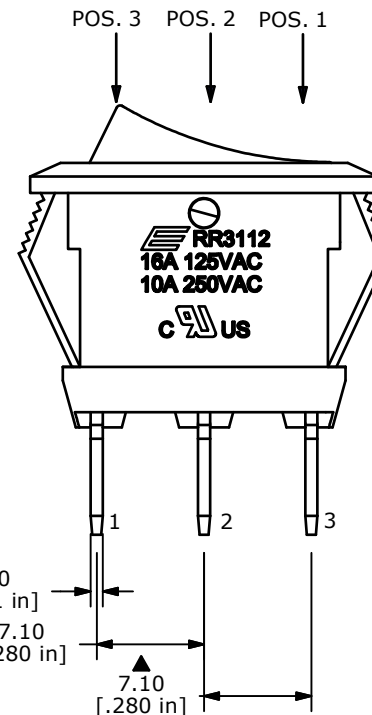
▲ HOUSING COLOR:
BLACK



10A 125VAC T85
6A 250VAC
10E3μ



Ø2.20
[.087 in]



POS. 3 POS. 2 POS. 1

RR3112
16A 125VAC
10A 250VAC

C US

NOTES:

1. ALL DIMENSIONS IN MM [INCH]
2. GENERAL TOLERANCE: x.x=±0.4
x.xx=±0.25
3. TERM. NOS. FOR REF. ONLY
- ▲ 4. RATING: 10A 250VAC
16A 125VAC
5. CONTACT RESISTANCE: 50mOHM MAX.
6. INSULATION RESISTANCE: DC 500V 100M OHM MIN.
7. DIELECTRIC STRENGTH: AC 1500V 1 MIN
8. OPERATING TEMPERATURE: 0°C to 65°C
9. ▲ DENOTE CRITICAL PARAMETER
10. 2002/95/EC (ROHS) COMPLIANT.



TITLE RR3112DBLKBLKNAF0

A	20083	RELEASE FOR PRODUCTION	8/9/11	BGL
REV	PCR NO	DESCRIPTION	DATE	BY

THE INFORMATION CONTAINED IN THIS DOCUMENT IS PROPRIETARY TO E-SWITCH AND IS NOT TO BE COPIED OR TRANSFERRED

SCALE	DATE	DR	DWG	REV
2:1	8/9/2011	BGL	F130431	A