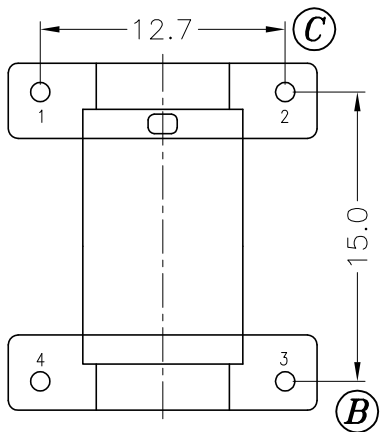
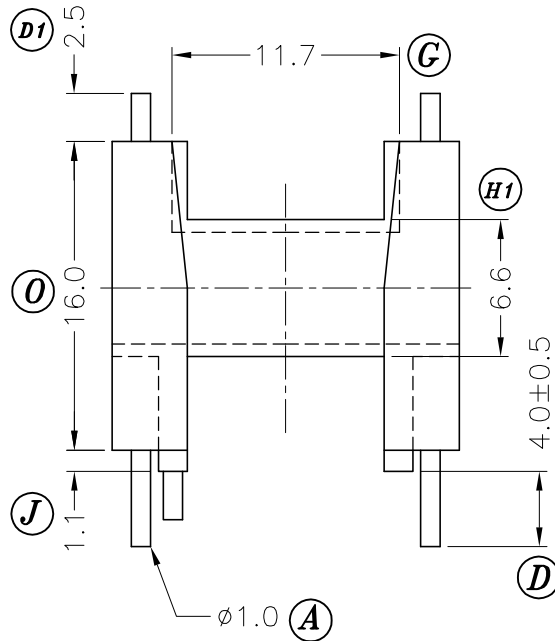
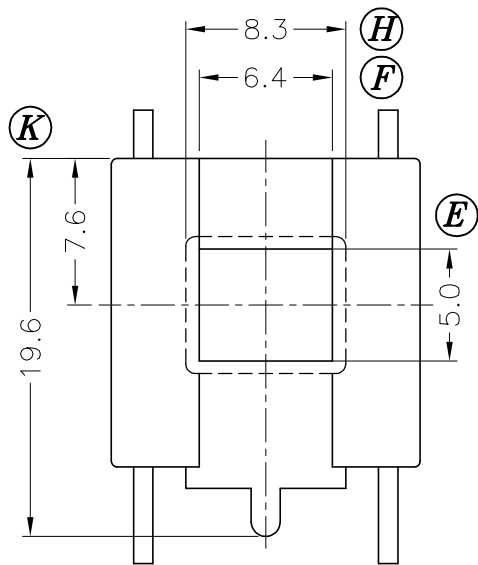
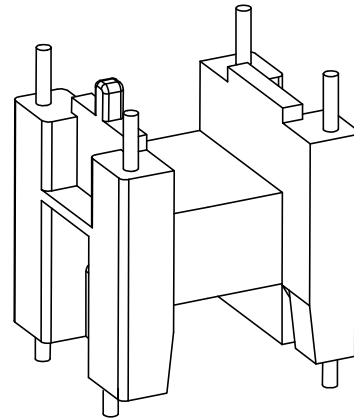
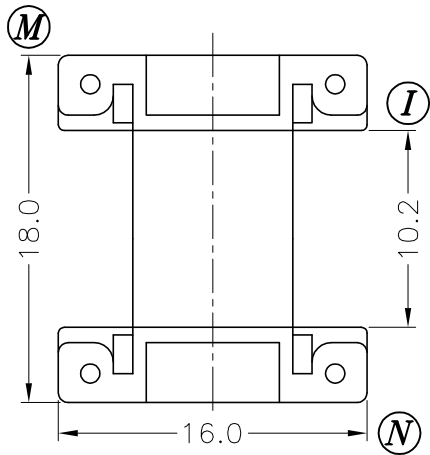


**FERYSTER Inductive Components**

ul. Traugutta 4 , 68-120 Iłowa Poland

http://www.feryster.com.pl e-mail: info@feryster.com.pl



<b>DOSTAWCA:</b>	TOLERANCES		ANGLE:	TITLE: <b>UU16-K-SS</b>		
	0<L≤4 ±0.1	pin pitch ±0.2	±1°	BOBBIN MATERIAL:	PBT 4130	UL REC. UL 94V-0
FERYSTER Inductive Components Tel: +48 68 360 00 76 fax: +48 68 360 00 70	4<L≤16 ±0.2		UNIT:	PIN MATERIAL:	CP WIRE	PIN TENSION LOAD: 1.5 KG MIN
	16<L≤63 ±0.3		MM	ORIGIN:	SZ	DATE: JUL.22 '2001
						DRAWING NO. P-1503