

To our customers,

Old Company Name in Catalogs and Other Documents

On April 1st, 2010, NEC Electronics Corporation merged with Renesas Technology Corporation, and Renesas Electronics Corporation took over all the business of both companies. Therefore, although the old company name remains in this document, it is a valid Renesas Electronics document. We appreciate your understanding.

Renesas Electronics website: <http://www.renesas.com>

April 1st, 2010
Renesas Electronics Corporation

Issued by: Renesas Electronics Corporation (<http://www.renesas.com>)

Send any inquiries to <http://www.renesas.com/inquiry>.

Notice

1. All information included in this document is current as of the date this document is issued. Such information, however, is subject to change without any prior notice. Before purchasing or using any Renesas Electronics products listed herein, please confirm the latest product information with a Renesas Electronics sales office. Also, please pay regular and careful attention to additional and different information to be disclosed by Renesas Electronics such as that disclosed through our website.
2. Renesas Electronics does not assume any liability for infringement of patents, copyrights, or other intellectual property rights of third parties by or arising from the use of Renesas Electronics products or technical information described in this document. No license, express, implied or otherwise, is granted hereby under any patents, copyrights or other intellectual property rights of Renesas Electronics or others.
3. You should not alter, modify, copy, or otherwise misappropriate any Renesas Electronics product, whether in whole or in part.
4. Descriptions of circuits, software and other related information in this document are provided only to illustrate the operation of semiconductor products and application examples. You are fully responsible for the incorporation of these circuits, software, and information in the design of your equipment. Renesas Electronics assumes no responsibility for any losses incurred by you or third parties arising from the use of these circuits, software, or information.
5. When exporting the products or technology described in this document, you should comply with the applicable export control laws and regulations and follow the procedures required by such laws and regulations. You should not use Renesas Electronics products or the technology described in this document for any purpose relating to military applications or use by the military, including but not limited to the development of weapons of mass destruction. Renesas Electronics products and technology may not be used for or incorporated into any products or systems whose manufacture, use, or sale is prohibited under any applicable domestic or foreign laws or regulations.
6. Renesas Electronics has used reasonable care in preparing the information included in this document, but Renesas Electronics does not warrant that such information is error free. Renesas Electronics assumes no liability whatsoever for any damages incurred by you resulting from errors in or omissions from the information included herein.
7. Renesas Electronics products are classified according to the following three quality grades: “Standard”, “High Quality”, and “Specific”. The recommended applications for each Renesas Electronics product depends on the product’s quality grade, as indicated below. You must check the quality grade of each Renesas Electronics product before using it in a particular application. You may not use any Renesas Electronics product for any application categorized as “Specific” without the prior written consent of Renesas Electronics. Further, you may not use any Renesas Electronics product for any application for which it is not intended without the prior written consent of Renesas Electronics. Renesas Electronics shall not be in any way liable for any damages or losses incurred by you or third parties arising from the use of any Renesas Electronics product for an application categorized as “Specific” or for which the product is not intended where you have failed to obtain the prior written consent of Renesas Electronics. The quality grade of each Renesas Electronics product is “Standard” unless otherwise expressly specified in a Renesas Electronics data sheets or data books, etc.
 - “Standard”: Computers; office equipment; communications equipment; test and measurement equipment; audio and visual equipment; home electronic appliances; machine tools; personal electronic equipment; and industrial robots.
 - “High Quality”: Transportation equipment (automobiles, trains, ships, etc.); traffic control systems; anti-disaster systems; anti-crime systems; safety equipment; and medical equipment not specifically designed for life support.
 - “Specific”: Aircraft; aerospace equipment; submersible repeaters; nuclear reactor control systems; medical equipment or systems for life support (e.g. artificial life support devices or systems), surgical implantations, or healthcare intervention (e.g. excision, etc.), and any other applications or purposes that pose a direct threat to human life.
8. You should use the Renesas Electronics products described in this document within the range specified by Renesas Electronics, especially with respect to the maximum rating, operating supply voltage range, movement power voltage range, heat radiation characteristics, installation and other product characteristics. Renesas Electronics shall have no liability for malfunctions or damages arising out of the use of Renesas Electronics products beyond such specified ranges.
9. Although Renesas Electronics endeavors to improve the quality and reliability of its products, semiconductor products have specific characteristics such as the occurrence of failure at a certain rate and malfunctions under certain use conditions. Further, Renesas Electronics products are not subject to radiation resistance design. Please be sure to implement safety measures to guard them against the possibility of physical injury, and injury or damage caused by fire in the event of the failure of a Renesas Electronics product, such as safety design for hardware and software including but not limited to redundancy, fire control and malfunction prevention, appropriate treatment for aging degradation or any other appropriate measures. Because the evaluation of microcomputer software alone is very difficult, please evaluate the safety of the final products or system manufactured by you.
10. Please contact a Renesas Electronics sales office for details as to environmental matters such as the environmental compatibility of each Renesas Electronics product. Please use Renesas Electronics products in compliance with all applicable laws and regulations that regulate the inclusion or use of controlled substances, including without limitation, the EU RoHS Directive. Renesas Electronics assumes no liability for damages or losses occurring as a result of your noncompliance with applicable laws and regulations.
11. This document may not be reproduced or duplicated, in any form, in whole or in part, without prior written consent of Renesas Electronics.
12. Please contact a Renesas Electronics sales office if you have any questions regarding the information contained in this document or Renesas Electronics products, or if you have any other inquiries.

(Note 1) “Renesas Electronics” as used in this document means Renesas Electronics Corporation and also includes its majority-owned subsidiaries.

(Note 2) “Renesas Electronics product(s)” means any product developed or manufactured by or for Renesas Electronics.

420-OUTPUT TFT-LCD SOURCE DRIVER (COMPATIBLE WITH 64-GRAY SCALE)

DESCRIPTION

The μ PD160062 is a source driver for TFT-LCDs capable of dealing with displays with 64-gray scale. Data input is based on digital input configured as 6 bits by 6 dots (2 pixels), which can realize a full-color display of 260,000 colors by output of 64 values γ -corrected by an internal D/A converter and 5-by-2 external power modules.

Because the output dynamic range is as large as $V_{SS2} + 0.1$ V to $V_{DD2} - 0.1$ V, level inversion operation of the LCD's common electrode is rendered unnecessary. Also, to be able to deal with dot-line inversion, n-line inversion and column line inversion when mounted on a single side, this source driver is equipped with a built-in 6-bit D/A converter circuit whose odd output pins and even output pins respectively output gray scale voltages of differing polarity.

Assuring a clock frequency of 45 MHz when driving at 2.3 V, this driver is applicable to SXGA+ standard TFT-LCD panels.

FEATURES

- CMOS level input (2.3 to 3.6 V)
- 420 outputs
- Input of 6 bits (gray scale data) by 6 dots
- Capable of outputting 64 values by means of 5-by-2 external power modules (10 units) and a D/A converter (R-DAC)
- Logic power supply voltage (V_{DD1}) : 2.3 to 3.6 V
- Driver power supply voltage (V_{DD2}) : 8.0 to 9.0 V
- High-speed data transfer: $f_{CLK} = 45$ MHz (internal data transfer speed when operating at $V_{DD1} = 2.3$ V)
- Output dynamic range $V_{SS2} + 0.1$ V to $V_{DD2} - 0.1$ V
- Apply for dot-line inversion, n-line inversion and column line inversion
- Output voltage polarity inversion function (POL)
- Input data inversion function (capable of controlling by each input port) (POL21, POL22)
- Current consumption control function (LPC, HPC, Bcont)
- Slim chip

ORDERING INFORMATION

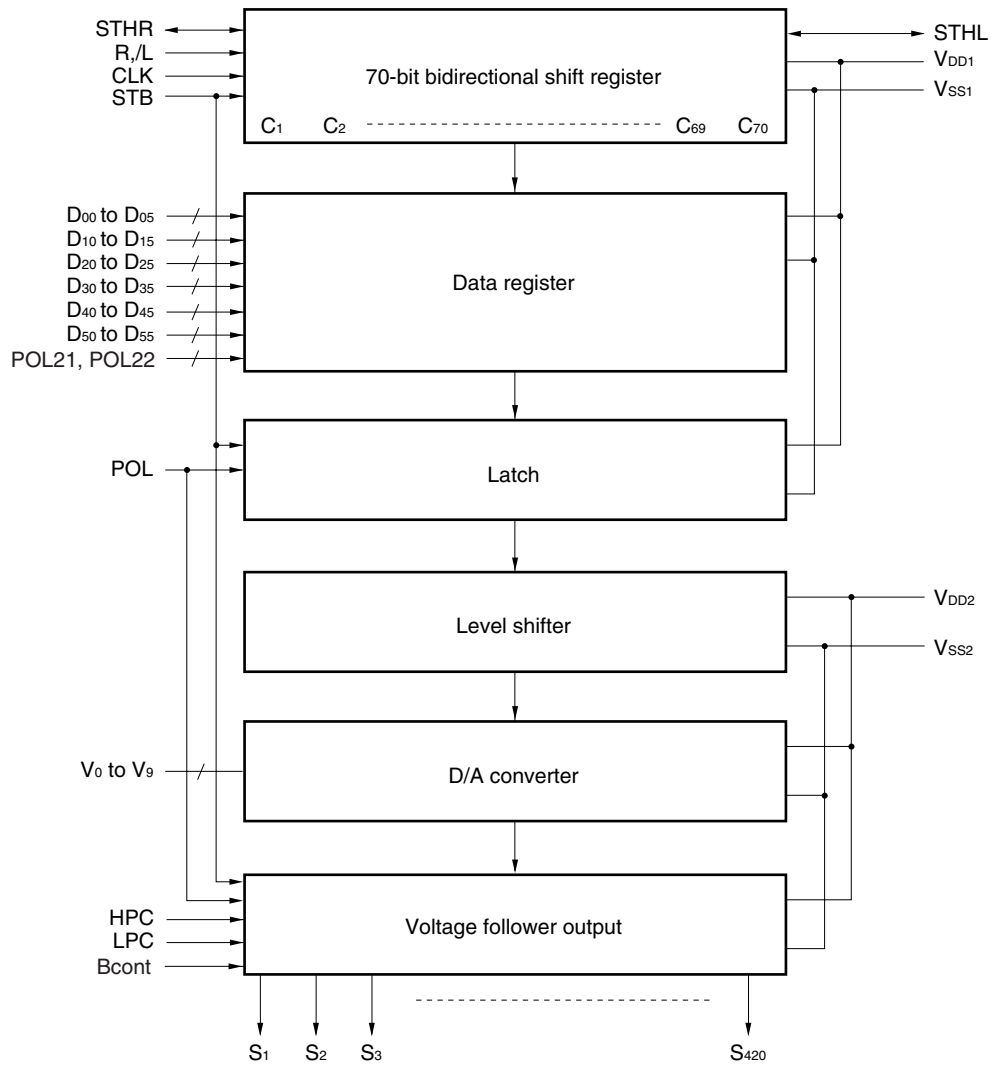
Part Number	Package
μ PD160062N-xxx	TCP (TAB package)

Remark The TCP's external shape is customized. To order the required shape, please contact one of our sales representatives.

The information in this document is subject to change without notice. Before using this document, please confirm that this is the latest version.

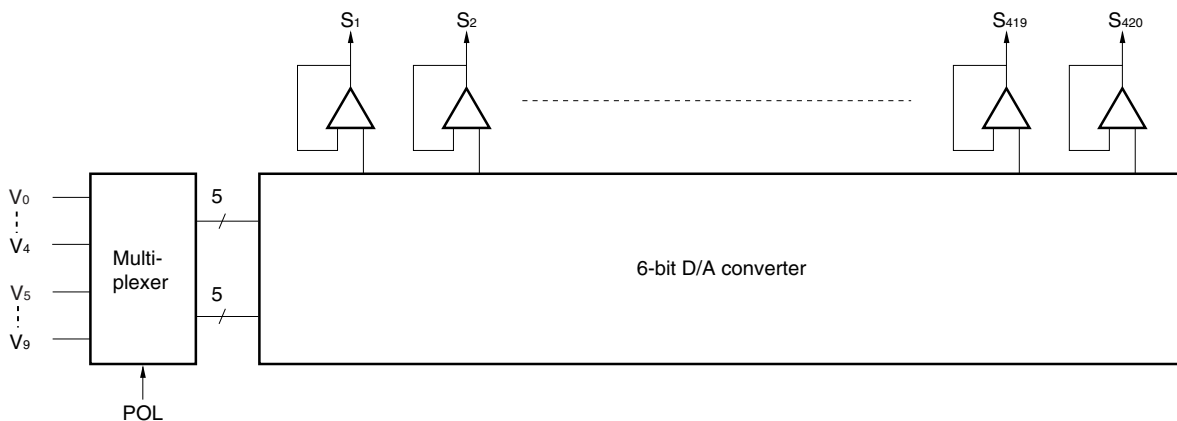
Not all products and/or types are available in every country. Please check with an NEC Electronics sales representative for availability and additional information.

1. BLOCK DIAGRAM

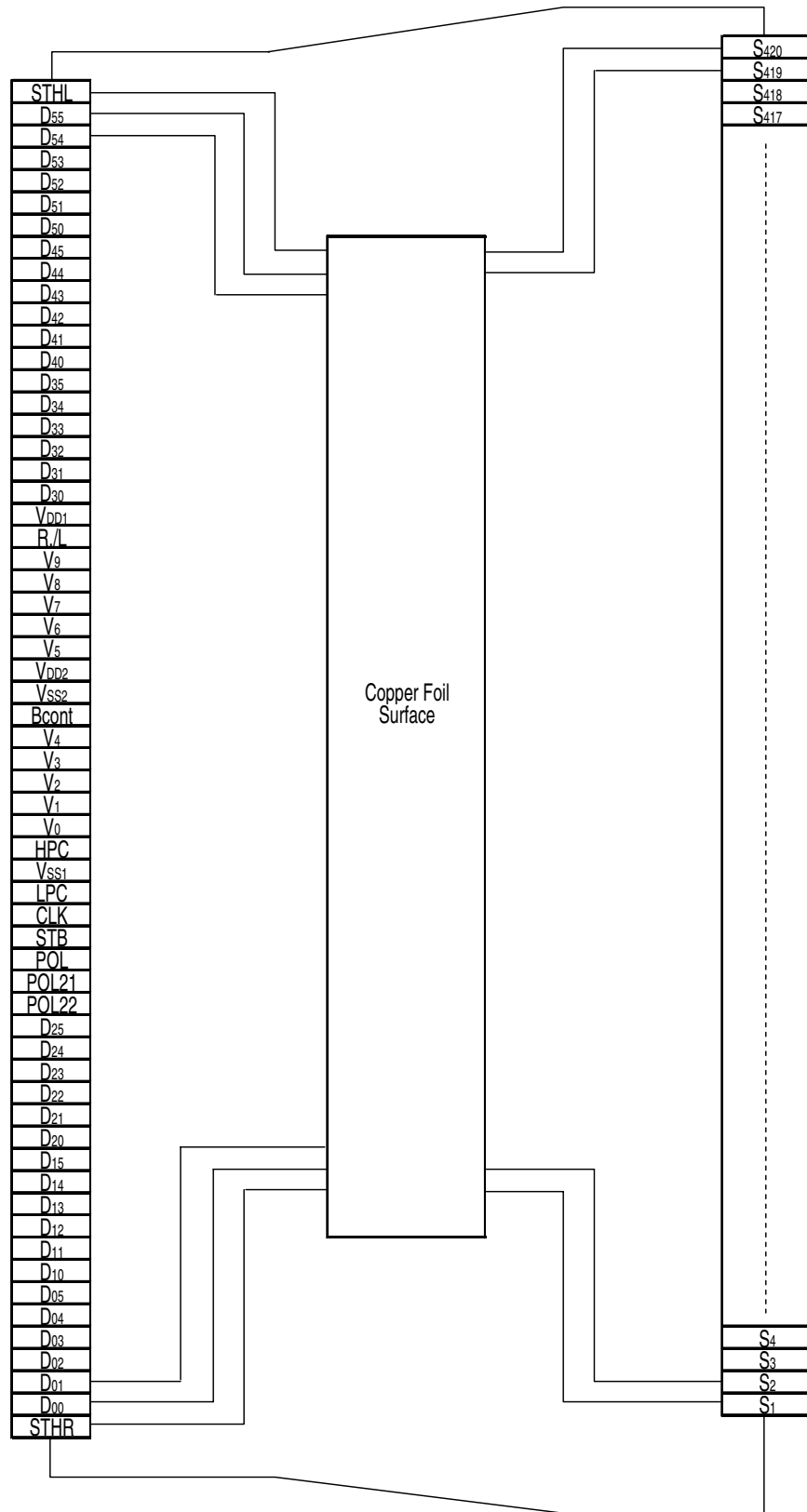


Remark /xxx indicates active low signal.

2. RELATIONSHIP BETWEEN OUTPUT CIRCUIT AND D/A CONVERTER



3. PIN CONFIGURATION (μ PD160062N-xxx: TCP) (Copper Foil Surface, Face-up)



Remark This figure does not specify the TCP package.

4. PIN FUNCTIONS

(1/2)

Pin Symbol	Pin Name	I/O	Description
S ₁ to S ₄₂₀	Driver	Output	The D/A converted 64-gray-scale analog voltage is output.
D ₀₀ to D ₀₅	Display data	Input	The display data is input with a width of 36 bits, viz., the gray scale data (6 bits) by 6 dots (2 pixels). D _{X0} : LSB, D _{X5} : MSB
D ₁₀ to D ₁₅			
D ₂₀ to D ₂₅			
D ₃₀ to D ₃₅			
D ₄₀ to D ₄₅			
D ₅₀ to D ₅₅			
R,/L	Shift direction control	Input	The shift direction control pin of shift register. The shift directions of the shift registers are as follows. R,/L = H (right shift) : STHR input, S ₁ → S ₄₂₀ , STHL output R,/L = L (left shift) : STHL input, S ₄₂₀ → S ₁ , STHR output
STHR	Right shift start pulse	I/O	These refer to the start pulse I/O pins when driver ICs are connected in cascade. Fetching of display data starts when H is read at the rising edge of CLK. R,/L = H (right shift) : STHR input, STHL output R,/L = L (left shift) : STHL input, STHR output A H level should be input as the pulse of one cycle of the clock signal. If the start pulse input is more than 2 CLK, the first 1 CLK of the H level input is valid.
STHL	Left shift start pulse	I/O	
CLK	Shift clock	Input	Refers to the shift register's shift clock input. The display data is incorporated into the data register at the rising edge. At the rising edge of the 70th clock after the start pulse input, the start pulse output reaches the high level, thus becoming the start pulse of the next-level driver. If 72 clock pulses are input after input of the start pulse, input of display data is halted automatically. The contents of the shift register are cleared at the STB's rising edge.
STB	Latch	Input	The contents of the data register are transferred to the latch circuit at the rising edge. And, at the falling edge, the gray scale voltage is supplied to the driver. It is necessary to ensure input of one pulse per horizontal period.
POL	Polarity input	Input	POL = L: The S _{2n-1} output uses V ₀ to V ₄ as the reference supply. The S _{2n} output uses V ₅ to V ₉ as the reference supply. POL = H: The S _{2n-1} output uses V ₅ to V ₉ as the reference supply. The S _{2n} output uses V ₀ to V ₄ as the reference supply. S _{2n-1} indicates the odd output and S _{2n} indicates the even output. Input of the POL signal is allowed the setup time (t _{POL-STB}) with respect to STB's rising edge.
POL21, POL22	Data inversion	Input	Data inversion can invert when display data is loaded. POL21: Invert/not invert of display data D ₀₀ to D ₀₅ , D ₁₀ to D ₁₅ , D ₂₀ to D ₂₅ POL22: Invert/not invert of display data D ₃₀ to D ₃₅ , D ₄₀ to D ₄₅ , D ₅₀ to D ₅₅ POL21, POL22 = H: Data inversion loads display data after inverting it. POL21, POL22 = L: Data inversion does not invert input data.
LPC	Low power control	Input	Controls the write function of the driver section by digitally controlling the bypass current of the output amplifier. Refer to 9. CURRENT CONSUMPTION CONTROL FUNCTION for details. This pin is pulled up to the V _{DD1} power supply inside the IC.
HPC	High power control	Input	
Bcont	Bias control	Input	This pin can be used to finely control the bias current inside the output amplifier. Refer to 9. CURRENT CONSUMPTION CONTROL FUNCTION for details. When this fine-control function is not required, leave this pin open.

(2/2)

Pin Symbol	Pin Name	I/O	Description
V ₀ to V ₉	γ-corrected power supplies	–	Input the γ-corrected power supplies from outside by using operational amplifier. Make sure to maintain the following relationships. During the gray scale voltage output, be sure to keep the gray scale level power supply at a constant level. $V_{DD2} - 0.1\text{ V} \geq V_0 > V_1 > V_2 > V_3 > V_4 \geq 0.5 V_{DD2}$ $0.5 V_{DD2} \geq V_5 > V_6 > V_7 > V_8 > V_9 \geq V_{SS2} + 0.1\text{ V}$
V _{DD1}	Logic power supply	–	2.3 to 3.6 V
V _{DD2}	Driver power supply	–	8.0 to 9.0 V
V _{SS1}	Logic ground	–	Grounding
V _{SS2}	Driver ground	–	Grounding

- Cautions 1. The power start sequence must be V_{DD1}, logic input, and V_{DD2} & V₀ to V₉ in that order. Reverse this sequence to shut down.**
- 2. To stabilize the supply voltage, please be sure to insert a 0.1 μF bypass capacitor between V_{DD1}-V_{SS1} and V_{DD2}-V_{SS2}. Furthermore, for increased precision of the D/A converter, insertion of a bypass capacitor of about 0.01 μF is also recommended between the γ-corrected power supply terminals (V₀, V₁, V₂, ..., V₉) and V_{SS2}.**

5. RELATIONSHIP BETWEEN INPUT DATA AND OUTPUT VOLTAGE VALUE

The μ PD160062 incorporates a 6-bit D/A converter whose odd output pins and even output pins output respectively gray scale voltages of differing polarity with respect to the LCD's counter electrode (common electrode) voltage. The D/A converter consists of ladder resistors and switches.

The ladder resistors (r0 to r62) are designed so that the ratio of LCD panel γ-compensated voltages to V_{0'} to V_{63'} and V_{0''} to V_{63''} is almost equivalent. For the 2 sets of five γ-compensated power supplies, V₀ to V₄ and V₅ to V₉, respectively, input gray scale voltages of the same polarity with respect to the common voltage. When fine gray scale voltage precision is not necessary, there is no need to connect a voltage follower circuit to the γ-compensated power supplies V₁ to V₃ and V₆ to V₈.

Figure 5-1 shows the relationship between the driving voltages such as liquid-crystal driving voltages V_{DD2} and V_{SS2}, common electrode potential V_{COM}, and γ-corrected voltages V₀ to V₉ and the input data. Be sure to maintain the voltage relationships of

$$V_{DD2} - 0.1 \text{ V} \geq V_0 > V_1 > V_2 > V_3 > V_4 \geq 0.5 V_{DD2}$$

$$0.5 V_{DD2} \geq V_5 > V_6 > V_7 > V_8 > V_9 \geq V_{SS2} + 0.1 \text{ V}$$

Figures 5-2 shows γ-corrected power supply voltage and ladder resistors ratio and figure 5-3 shows the relationship between the input data and the output voltage.

Figure 5-1. Relationship between Input Data and γ-corrected Power Supplies

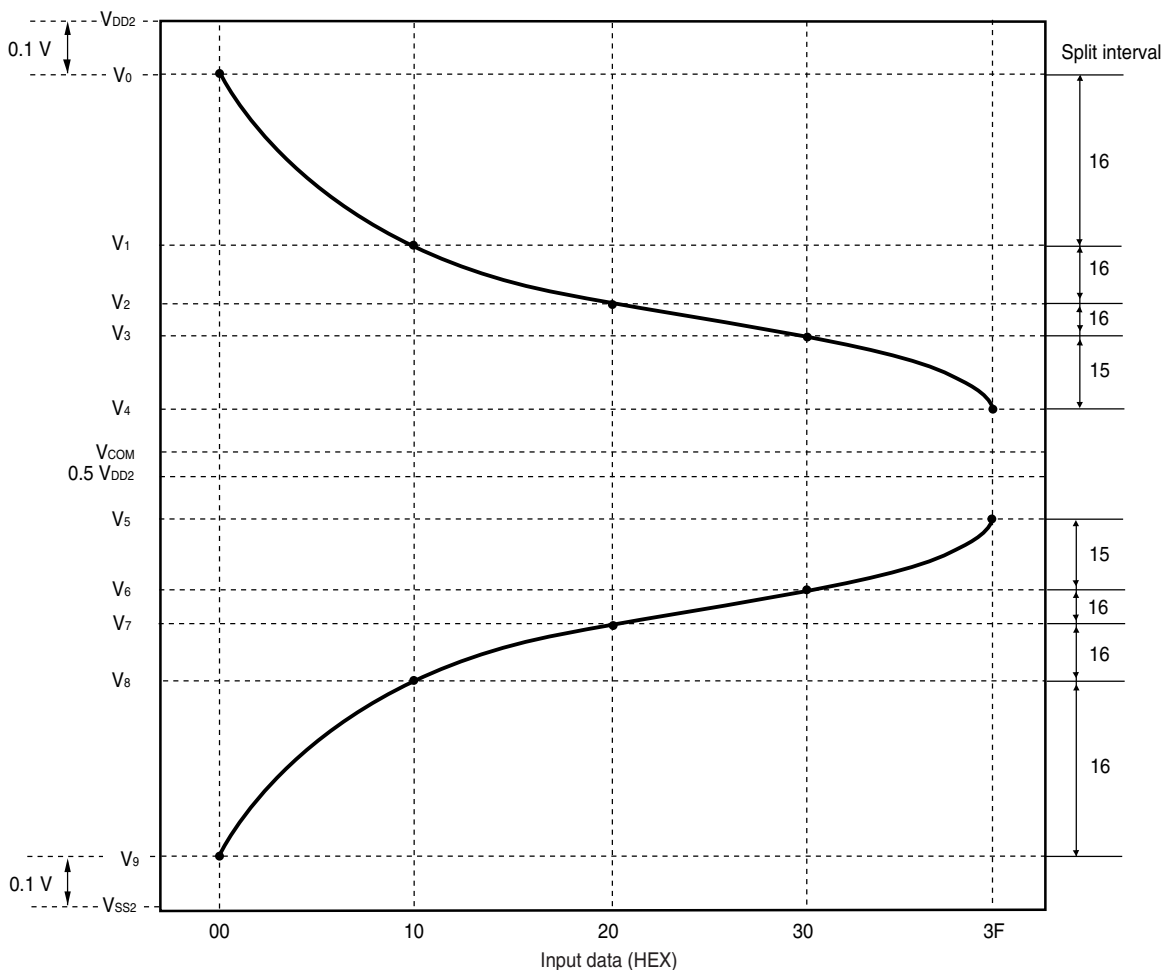
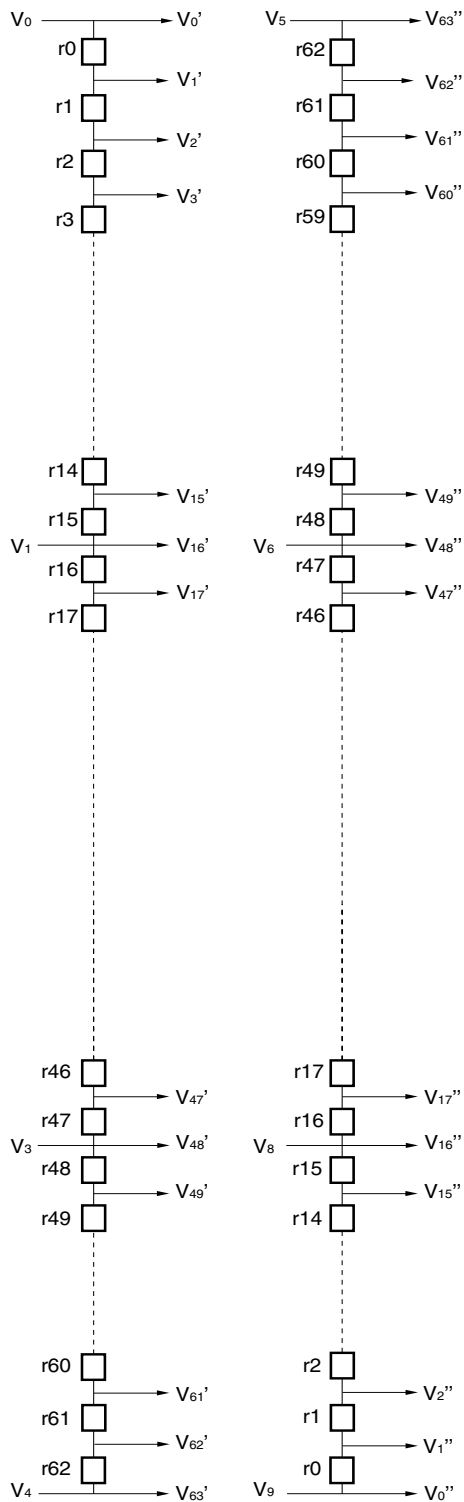


Figure 5-2. γ -corrected Voltages and Ladder Resistors Ratio



m	Ratio 1	Ratio 2	Value (Ω)
r0	8.00	0.0505	544
r1	7.50	0.0473	510
r2	7.00	0.0442	476
r3	6.50	0.0410	442
r4	6.00	0.0379	408
r5	5.50	0.0347	374
r6	5.50	0.0347	374
r7	5.00	0.0315	340
r8	5.00	0.0315	340
r9	4.00	0.0252	272
r10	4.00	0.0252	272
r11	3.50	0.0221	238
r12	3.50	0.0221	238
r13	3.50	0.0221	238
r14	3.00	0.0189	204
r15	3.00	0.0189	204
r16	3.00	0.0189	204
r17	2.50	0.0158	170
r18	2.50	0.0158	170
r19	2.50	0.0158	170
r20	2.00	0.0126	136
r21	2.00	0.0126	136
r22	2.00	0.0126	136
r23	1.50	0.0095	102
r24	1.50	0.0095	102
r25	1.50	0.0095	102
r26	1.50	0.0095	102
r27	1.00	0.0063	68
r28	1.00	0.0063	68
r29	1.00	0.0063	68
r30	1.00	0.0063	68
r31	1.00	0.0063	68
r32	1.00	0.0063	68
r33	1.00	0.0063	68
r34	1.00	0.0063	68
r35	1.00	0.0063	68
r36	1.00	0.0063	68
r37	1.00	0.0063	68
r38	1.00	0.0063	68
r39	1.00	0.0063	68
r40	1.00	0.0063	68
r41	1.00	0.0063	68
r42	1.00	0.0063	68
r43	1.00	0.0063	68
r44	1.00	0.0063	68
r45	1.00	0.0063	68
r46	1.00	0.0063	68
r47	1.00	0.0063	68
r48	1.00	0.0063	68
r49	1.00	0.0063	68
r50	1.00	0.0063	68
r51	1.00	0.0063	68
r52	1.00	0.0063	68
r53	1.50	0.0095	102
r54	1.50	0.0095	102
r55	1.50	0.0095	102
r56	2.00	0.0126	136
r57	2.00	0.0126	136
r58	2.50	0.0158	170
r59	2.50	0.0158	170
r60	3.00	0.0189	204
r61	5.00	0.0315	340
r62	8.00	0.0505	544
Total resistance			10778
Minimum resistance value			68

Remark The resistance ratio1 is a relative ratio in the case of setting the minimum resistance value to 1.
 The resistance ratio2 is a relative ratio in the case of setting the total resistance to 1.

Caution There is no connection between V4 and V5 terminal in the chip.

Figure 5-3. Relationship between Input Data and Output Voltage (POL21, POL22 = L)
(Output Voltage 1) $V_{DD2} - 0.1\text{ V} \geq V_0 > V_1 > V_2 > V_3 > V_4 \geq 0.5\text{ V}_{DD2}$
(Output Voltage 2) $0.5\text{ V}_{DD2} \geq V_5 > V_6 > V_7 > V_8 > V_9 \geq V_{SS2} + 0.1\text{ V}$

Input Data	Output Voltage 1		Output Voltage 2	
00H	V_0	V_0	V_9	V_9
01H	V_1	$V_1+(V_0-V_1) \times$ 4930 / 5474	V_1	$V_9+(V_8-V_9) \times$ 544 / 5474
02H	V_2	$V_1+(V_0-V_1) \times$ 4420 / 5474	V_2	$V_9+(V_8-V_9) \times$ 1054 / 5474
03H	V_3	$V_1+(V_0-V_1) \times$ 3944 / 5474	V_3	$V_9+(V_8-V_9) \times$ 1530 / 5474
04H	V_4	$V_1+(V_0-V_1) \times$ 3502 / 5474	V_4	$V_9+(V_8-V_9) \times$ 1972 / 5474
05H	V_5	$V_1+(V_0-V_1) \times$ 3094 / 5474	V_5	$V_9+(V_8-V_9) \times$ 2380 / 5474
06H	V_6	$V_1+(V_0-V_1) \times$ 2720 / 5474	V_6	$V_9+(V_8-V_9) \times$ 2754 / 5474
07H	V_7	$V_1+(V_0-V_1) \times$ 2346 / 5474	V_7	$V_9+(V_8-V_9) \times$ 3128 / 5474
08H	V_8	$V_1+(V_0-V_1) \times$ 2006 / 5474	V_8	$V_9+(V_8-V_9) \times$ 3468 / 5474
09H	V_9	$V_1+(V_0-V_1) \times$ 1666 / 5474	V_9	$V_9+(V_8-V_9) \times$ 3808 / 5474
0AH	V_{10}	$V_1+(V_0-V_1) \times$ 1394 / 5474	V_{10}	$V_9+(V_8-V_9) \times$ 4080 / 5474
0BH	V_{11}	$V_1+(V_0-V_1) \times$ 1122 / 5474	V_{11}	$V_9+(V_8-V_9) \times$ 4352 / 5474
0CH	V_{12}	$V_1+(V_0-V_1) \times$ 884 / 5474	V_{12}	$V_9+(V_8-V_9) \times$ 4590 / 5474
0DH	V_{13}	$V_1+(V_0-V_1) \times$ 646 / 5474	V_{13}	$V_9+(V_8-V_9) \times$ 4828 / 5474
0EH	V_{14}	$V_1+(V_0-V_1) \times$ 408 / 5474	V_{14}	$V_9+(V_8-V_9) \times$ 5066 / 5474
0FH	V_{15}	$V_1+(V_0-V_1) \times$ 204 / 5474	V_{15}	$V_9+(V_8-V_9) \times$ 5270 / 5474
10H	V_{16}	V_1	V_{16}	V_8
11H	V_{17}	$V_2+(V_1-V_2) \times$ 1666 / 1870	V_{17}	$V_8+(V_7-V_8) \times$ 204 / 1870
12H	V_{18}	$V_2+(V_1-V_2) \times$ 1496 / 1870	V_{18}	$V_8+(V_7-V_8) \times$ 374 / 1870
13H	V_{19}	$V_2+(V_1-V_2) \times$ 1326 / 1870	V_{19}	$V_8+(V_7-V_8) \times$ 544 / 1870
14H	V_{20}	$V_2+(V_1-V_2) \times$ 1156 / 1870	V_{20}	$V_8+(V_7-V_8) \times$ 714 / 1870
15H	V_{21}	$V_2+(V_1-V_2) \times$ 1020 / 1870	V_{21}	$V_8+(V_7-V_8) \times$ 850 / 1870
16H	V_{22}	$V_2+(V_1-V_2) \times$ 884 / 1870	V_{22}	$V_8+(V_7-V_8) \times$ 986 / 1870
17H	V_{23}	$V_2+(V_1-V_2) \times$ 748 / 1870	V_{23}	$V_8+(V_7-V_8) \times$ 1122 / 1870
18H	V_{24}	$V_2+(V_1-V_2) \times$ 646 / 1870	V_{24}	$V_8+(V_7-V_8) \times$ 1224 / 1870
19H	V_{25}	$V_2+(V_1-V_2) \times$ 544 / 1870	V_{25}	$V_8+(V_7-V_8) \times$ 1326 / 1870
1AH	V_{26}	$V_2+(V_1-V_2) \times$ 442 / 1870	V_{26}	$V_8+(V_7-V_8) \times$ 1428 / 1870
1BH	V_{27}	$V_2+(V_1-V_2) \times$ 340 / 1870	V_{27}	$V_8+(V_7-V_8) \times$ 1530 / 1870
1CH	V_{28}	$V_2+(V_1-V_2) \times$ 272 / 1870	V_{28}	$V_8+(V_7-V_8) \times$ 1598 / 1870
1DH	V_{29}	$V_2+(V_1-V_2) \times$ 204 / 1870	V_{29}	$V_8+(V_7-V_8) \times$ 1666 / 1870
1EH	V_{30}	$V_2+(V_1-V_2) \times$ 136 / 1870	V_{30}	$V_8+(V_7-V_8) \times$ 1734 / 1870
1FH	V_{31}	$V_2+(V_1-V_2) \times$ 68 / 1870	V_{31}	$V_8+(V_7-V_8) \times$ 1802 / 1870
20H	V_{32}	V_2	V_{32}	V_7
21H	V_{33}	$V_3+(V_2-V_3) \times$ 1020 / 1088	V_{33}	$V_7+(V_6-V_7) \times$ 68 / 1088
22H	V_{34}	$V_3+(V_2-V_3) \times$ 952 / 1088	V_{34}	$V_7+(V_6-V_7) \times$ 136 / 1088
23H	V_{35}	$V_3+(V_2-V_3) \times$ 884 / 1088	V_{35}	$V_7+(V_6-V_7) \times$ 204 / 1088
24H	V_{36}	$V_3+(V_2-V_3) \times$ 816 / 1088	V_{36}	$V_7+(V_6-V_7) \times$ 272 / 1088
25H	V_{37}	$V_3+(V_2-V_3) \times$ 748 / 1088	V_{37}	$V_7+(V_6-V_7) \times$ 340 / 1088
26H	V_{38}	$V_3+(V_2-V_3) \times$ 680 / 1088	V_{38}	$V_7+(V_6-V_7) \times$ 408 / 1088
27H	V_{39}	$V_3+(V_2-V_3) \times$ 612 / 1088	V_{39}	$V_7+(V_6-V_7) \times$ 476 / 1088
28H	V_{40}	$V_3+(V_2-V_3) \times$ 544 / 1088	V_{40}	$V_7+(V_6-V_7) \times$ 544 / 1088
29H	V_{41}	$V_3+(V_2-V_3) \times$ 476 / 1088	V_{41}	$V_7+(V_6-V_7) \times$ 612 / 1088
2AH	V_{42}	$V_3+(V_2-V_3) \times$ 408 / 1088	V_{42}	$V_7+(V_6-V_7) \times$ 680 / 1088
2BH	V_{43}	$V_3+(V_2-V_3) \times$ 340 / 1088	V_{43}	$V_7+(V_6-V_7) \times$ 748 / 1088
2CH	V_{44}	$V_3+(V_2-V_3) \times$ 272 / 1088	V_{44}	$V_7+(V_6-V_7) \times$ 816 / 1088
2DH	V_{45}	$V_3+(V_2-V_3) \times$ 204 / 1088	V_{45}	$V_7+(V_6-V_7) \times$ 884 / 1088
2EH	V_{46}	$V_3+(V_2-V_3) \times$ 136 / 1088	V_{46}	$V_7+(V_6-V_7) \times$ 952 / 1088
2FH	V_{47}	$V_3+(V_2-V_3) \times$ 68 / 1088	V_{47}	$V_7+(V_6-V_7) \times$ 1020 / 1088
30H	V_{48}	V_3	V_{48}	V_6
31H	V_{49}	$V_4+(V_3-V_4) \times$ 2278 / 2346	V_{49}	$V_6+(V_5-V_6) \times$ 68 / 2346
32H	V_{50}	$V_4+(V_3-V_4) \times$ 2210 / 2346	V_{50}	$V_6+(V_5-V_6) \times$ 136 / 2346
33H	V_{51}	$V_4+(V_3-V_4) \times$ 2142 / 2346	V_{51}	$V_6+(V_5-V_6) \times$ 204 / 2346
34H	V_{52}	$V_4+(V_3-V_4) \times$ 2074 / 2346	V_{52}	$V_6+(V_5-V_6) \times$ 272 / 2346
35H	V_{53}	$V_4+(V_3-V_4) \times$ 2006 / 2346	V_{53}	$V_6+(V_5-V_6) \times$ 340 / 2346
36H	V_{54}	$V_4+(V_3-V_4) \times$ 1904 / 2346	V_{54}	$V_6+(V_5-V_6) \times$ 442 / 2346
37H	V_{55}	$V_4+(V_3-V_4) \times$ 1802 / 2346	V_{55}	$V_6+(V_5-V_6) \times$ 544 / 2346
38H	V_{56}	$V_4+(V_3-V_4) \times$ 1700 / 2346	V_{56}	$V_6+(V_5-V_6) \times$ 646 / 2346
39H	V_{57}	$V_4+(V_3-V_4) \times$ 1564 / 2346	V_{57}	$V_6+(V_5-V_6) \times$ 782 / 2346
3AH	V_{58}	$V_4+(V_3-V_4) \times$ 1428 / 2346	V_{58}	$V_6+(V_5-V_6) \times$ 918 / 2346
3BH	V_{59}	$V_4+(V_3-V_4) \times$ 1258 / 2346	V_{59}	$V_6+(V_5-V_6) \times$ 1088 / 2346
3CH	V_{60}	$V_4+(V_3-V_4) \times$ 1088 / 2346	V_{60}	$V_6+(V_5-V_6) \times$ 1258 / 2346
3DH	V_{61}	$V_4+(V_3-V_4) \times$ 884 / 2346	V_{61}	$V_6+(V_5-V_6) \times$ 1462 / 2346
3EH	V_{62}	$V_4+(V_3-V_4) \times$ 544 / 2346	V_{62}	$V_6+(V_5-V_6) \times$ 1802 / 2346
3FH	V_{63}	V_4	V_{63}	V_5

6. RELATIONSHIP BETWEEN INPUT DATA AND OUTPUT PIN

Data format: 6 bits × 2 RGBs (6 dots)

Input width: 36 bits (2-pixel data)

(1) R/L = H (right shift)

Output	S ₁	S ₂	S ₃	S ₄	...	S ₄₁₉	S ₄₂₀
Data	D ₀₀ to D ₀₅	D ₁₀ to D ₁₅	D ₂₀ to D ₂₅	D ₃₀ to D ₃₅	...	D ₄₀ to D ₄₅	D ₅₀ to D ₅₅

(2) R/L = L (left shift)

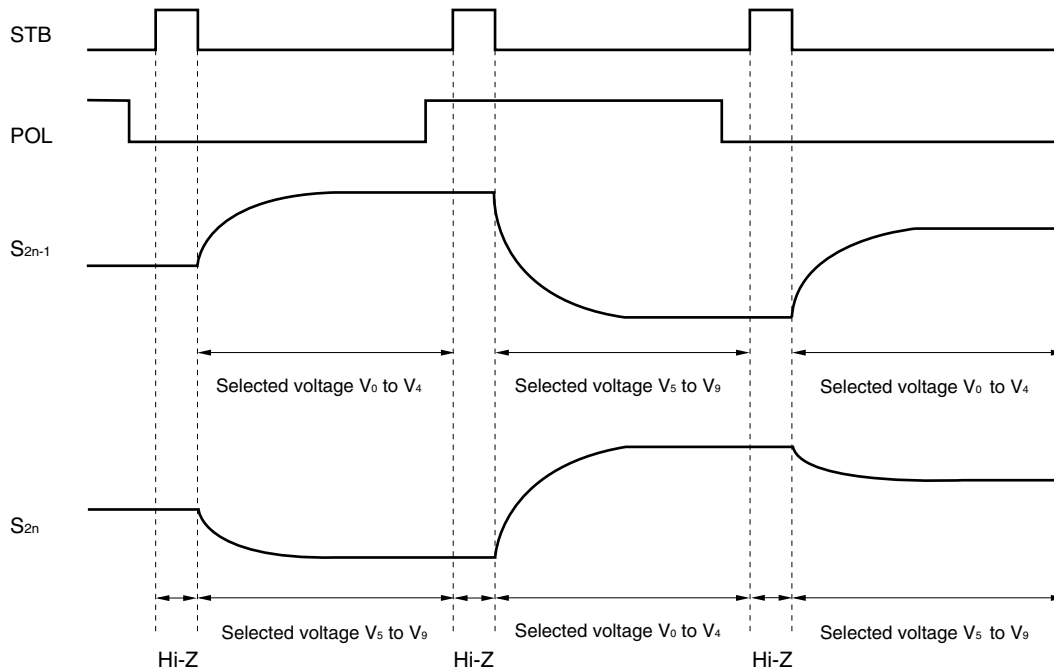
Output	S ₁	S ₂	S ₃	S ₄	...	S ₄₁₉	S ₄₂₀
Data	D ₀₀ to D ₀₅	D ₁₀ to D ₁₅	D ₂₀ to D ₂₅	D ₃₀ to D ₃₅	...	D ₄₀ to D ₄₅	D ₅₀ to D ₅₅

POL	S _{2n-1} Note	S _{2n} Note
L	V ₀ to V ₄	V ₅ to V ₉
H	V ₅ to V ₉	V ₀ to V ₄

Note S_{2n-1} (odd output), S_{2n} (even output)

7. RELATIONSHIP BETWEEN STB, POL AND OUTPUT WAVEFORM

The output voltage is written to the LCD panel synchronized with the STB falling edge.



Remark Hi-Z: High impedance

8. RELATIONSHIP BETWEEN STB, CLK AND OUTPUT WAVEFORM

The output voltage is written to the LCD panel synchronized with the STB falling edge.

Figure 8-1. Output Circuit Block Diagram

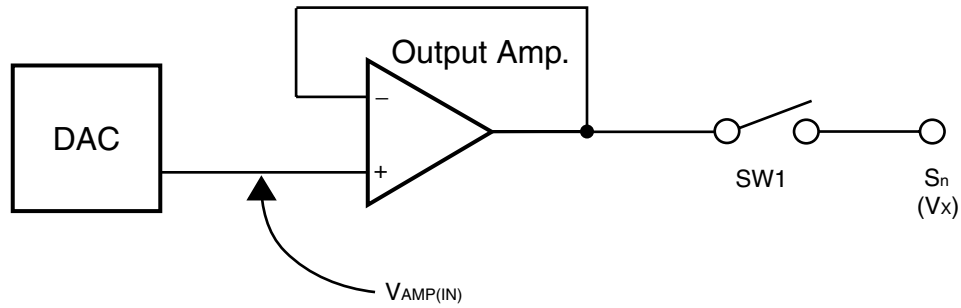
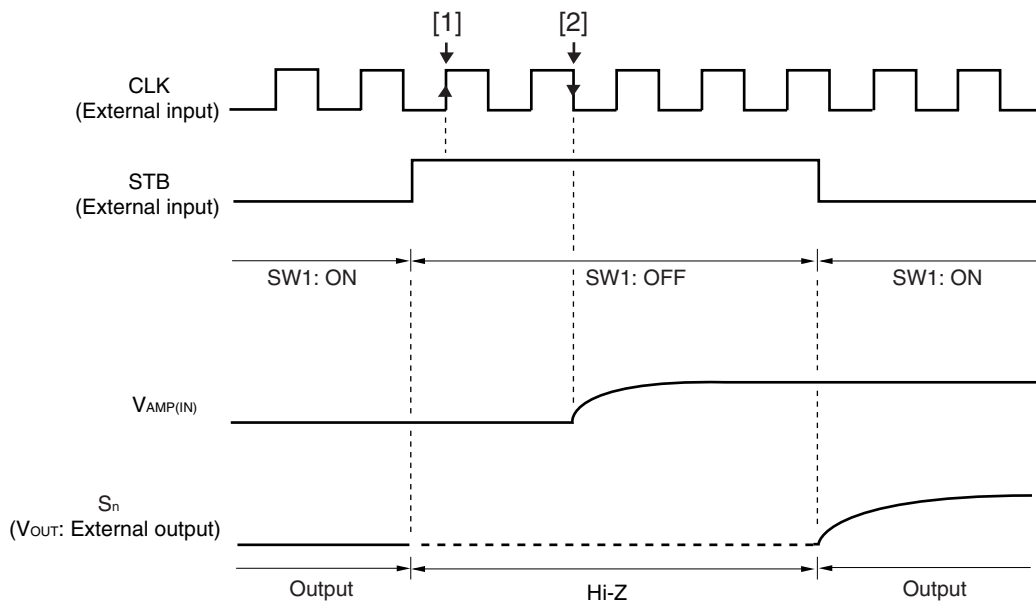


Figure 8-2. Output Circuit Timing Waveform



- Remarks**
1. STB = L: SW1 = ON, STB = H: SW1 = OFF
 2. STB = H is acknowledged at timing [1] .
 3. The display data latch is completed at timing [2] and the input voltage ($V_{AMP(IN)}$: gray-scale level voltage) of the output amplifier changes.

9. CURRENT CONSUMPTION CONTROL FUNCTION

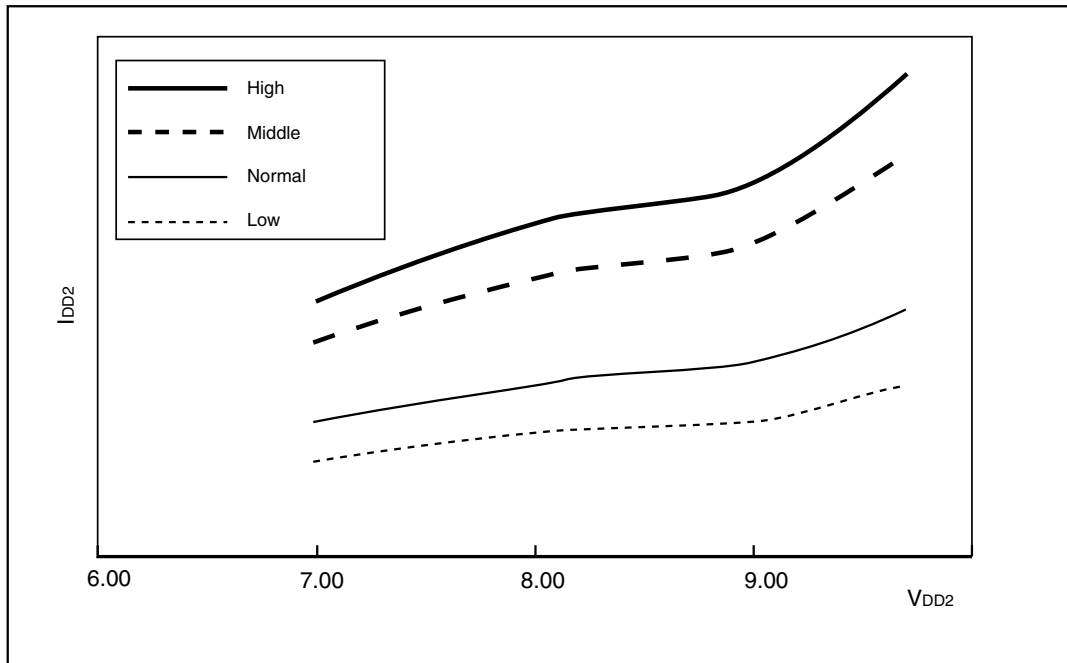
The μ PD160062 has a power control function which can switch the bias current of the output amplifier between four levels and a bias control function (Bcont) which can be used to finely control the bias current.

< Power control function (LPC, HPC) >

The bias current of the output amplifier can be switched between four levels using LPC (Low Power Control) pins and HPC (High Power Control) pins (show in below table).

Power Mode	LPC	HPC
High	L	L
Middle	H or open	L
Normal	L	H or open
Low	H or open	H or open

Following graph shows the relationship between each power modes and bias current.

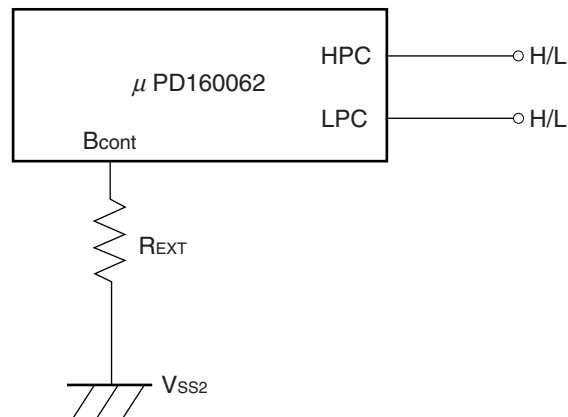


Remark This relationship is founded on results of simulation and don't assuring a characteristics of this product.

< Bias Current Control Function (Bcont) >

It is possible to fine-control the current consumption by using the bias current control function (Bcont pin). When using this function, connect this pin to the stabilized ground potential (V_{SS2}) via an external resistor (R_{EXT}). When not using this function, leave this pin open.

Figure 9–1. Bias Current Control Function (Bcont)



Refer to the table below for the percentage of current regulation when using the bias current control function.

Table 9–1. Current Consumption Regulation Percentage Compared to Normal Mode (V_{DD1} = 3.3 V, V_{DD2} = 8.7 V)

R _{EXT} (kΩ)	Current Consumption Regulation Percentage (%)	
	LPC = L	LPC = H/open
∞ (Open)	100	65
50	110	70
20	115	80
10	120	85

Remark The above current consumption regulation percentages are founded on results of simulation and don't assuring a characteristics of this product.

Caution Because the power and bias-current control functions control the bias current in the output amplifier and regulate the over-all current consumption of the driver IC, when this occurs, the characteristics of the output amplifier will simultaneously change. Therefore, when using these functions, be sure to sufficiently evaluate the picture quality.

10. ELECTRICAL SPECIFICATIONS

Absolute Maximum Ratings (T_A = 25°C, V_{SS1} = V_{SS2} = 0 V)

Parameter	Symbol	Rating	Unit
Logic Part Supply Voltage	V _{DD1}	-0.5 to +4.0	V
Driver Part Supply Voltage	V _{DD2}	-0.5 to +10.0	V
Logic Part Input Voltage	V _{I1}	-0.5 to V _{DD1} +0.5	V
Driver Part Input Voltage	V _{I2}	-0.5 to V _{DD2} +0.5	V
Logic Part Output Voltage	V _{O1}	-0.5 to V _{DD1} +0.5	V
Driver Part Output Voltage	V _{O2}	-0.5 to V _{DD2} +0.5	V
Operating Ambient Temperature	T _A	-10 to +75	°C
Storage Temperature	T _{stg}	-55 to +125	°C

Caution Product qualify may suffer if the absolute maximum rating is exceeded even momentarily for any parameter/ That is, the absolute maximum ratings are rated values at which the product is on the verge of suffering physical damage, and therefore the product must be used under conditions that ensure that the absolute maximum ratings are not exceeded.

Recommended Operating Range (T_A = -10 to +75°C, V_{SS1} = V_{SS2} = 0 V)

Parameter	Symbol	Conditions	MIN.	TYP.	MAX.	Unit
Logic Part Supply Voltage	V _{DD1}		2.3		3.6	V
Driver Part Supply Voltage	V _{DD2}		8.0	8.5	9.0	V
High-Level Input Voltage	V _{IH}		0.7 V _{DD1}		V _{DD1}	V
Low-Level Input Voltage	V _{IL}		0		0.3 V _{DD1}	V
γ-corrected Voltage	V ₀ to V ₄		0.5 V _{DD2}		V _{DD2} -0.1	V
	V ₅ to V ₉		V _{SS2} +0.1		0.5 V _{DD2}	V
Driver Part Output Voltage	V _O		V _{SS2} +0.1		V _{DD2} -0.1	V
Maximum Clock Frequency	f _{CLK}	V _{DD1} = 2.3 V			45	MHz

Electrical Characteristics (T_A = -10 to +75°C, V_{DD1} = 2.3 to 3.6 V, V_{DD2} = 8.0 to 9.0 V, V_{SS1} = V_{SS2} = 0 V, unless otherwise specified, power mode = normal, Bcont = open.)

Parameter	Symbol	Conditions	MIN.	TYP.	MAX.	Unit
Input Leak Current	I _{IL}				±1.0	μA
High-Level Output Voltage	V _{OH}	STHR (STHL), I _{OH} = 0 mA	V _{DD1} -0.1			V
Low-Level Output Voltage	V _{OL}	STHR (STHL), I _{OL} = 0 mA			0.1	V
γ-corrected Resistance	R _γ	V _{DD2} = 8.5 V, V ₀ to V ₄ = V ₅ to V ₉ = 4.0 V	5.4	10.8	21.6	kΩ
Driver Output Current	I _{VOH}	V _X = 7.0 V, V _{OUT} = 6.5 V ^{Note}			-30	μA
	I _{VOL}	V _X = 1.0 V, V _{OUT} = 1.5 V ^{Note}	30			μA
Output Voltage Deviation	ΔV _O	T _A = 25°C, V _{DD1} = 3.3 V, V _{DD2} = 8.5 V,		±7	±20	mV
Output swing difference deviation	ΔV _{P-P}	V _{OUT} = 2.0 V, 4.25 V, 6.5 V		±2	±15	mV
Logic Part Dynamic Current Consumption	I _{DD1}	V _{DD1}		1.0	6.5	mA
Driver Part Dynamic Current Consumption	I _{DD2}	V _{DD2} , with no load		3.0	6.5	mA

Note V_X refers to the output voltage of analog output pins S₁ to S₄₂₀. V_{OUT} refers to the voltage applied to analog output pins S₁ to S₄₂₀.

Cautions 1. f_{STB} = 64 kHz, f_{CLK} = 40 MHz

- 2. The TYP. values refer to an all black or all white input pattern. The MAX. value refers to the measured values in the dot checkerboard input pattern.**
- 3. Refers to the current consumption per driver when cascades are connected under the assumption of SXGA+ single-sided mounting (10 units).**

Switching Characteristics (T_A = -10 to +75°C, V_{DD1} = 2.3 to 3.6 V, V_{DD2} = 8.0 to 9.0 V, V_{SS1} = V_{SS2} = 0 V, unless otherwise specified, power mode = normal, Bcont = open.)

Parameter	Symbol	Conditions	MIN.	TYP.	MAX.	Unit
Start Pulse Delay Time	t _{PLH1}	C _L = 10 pF		10	20	ns
Driver Output Delay Time	t _{PLH2}	C _L = 75 pF, R _L = 5 kΩ		2.5	5	μs
	t _{PLH3}			5	8	μs
	t _{PHL2}			2.5	5	μs
	t _{PHL3}			5	8	μs
Input Capacitance	C _{I1}	STHR (STHL) excluded, T _A = 25°C			10	pF
	C _{I2}	STHR (STHL), T _A = 25°C			10	pF

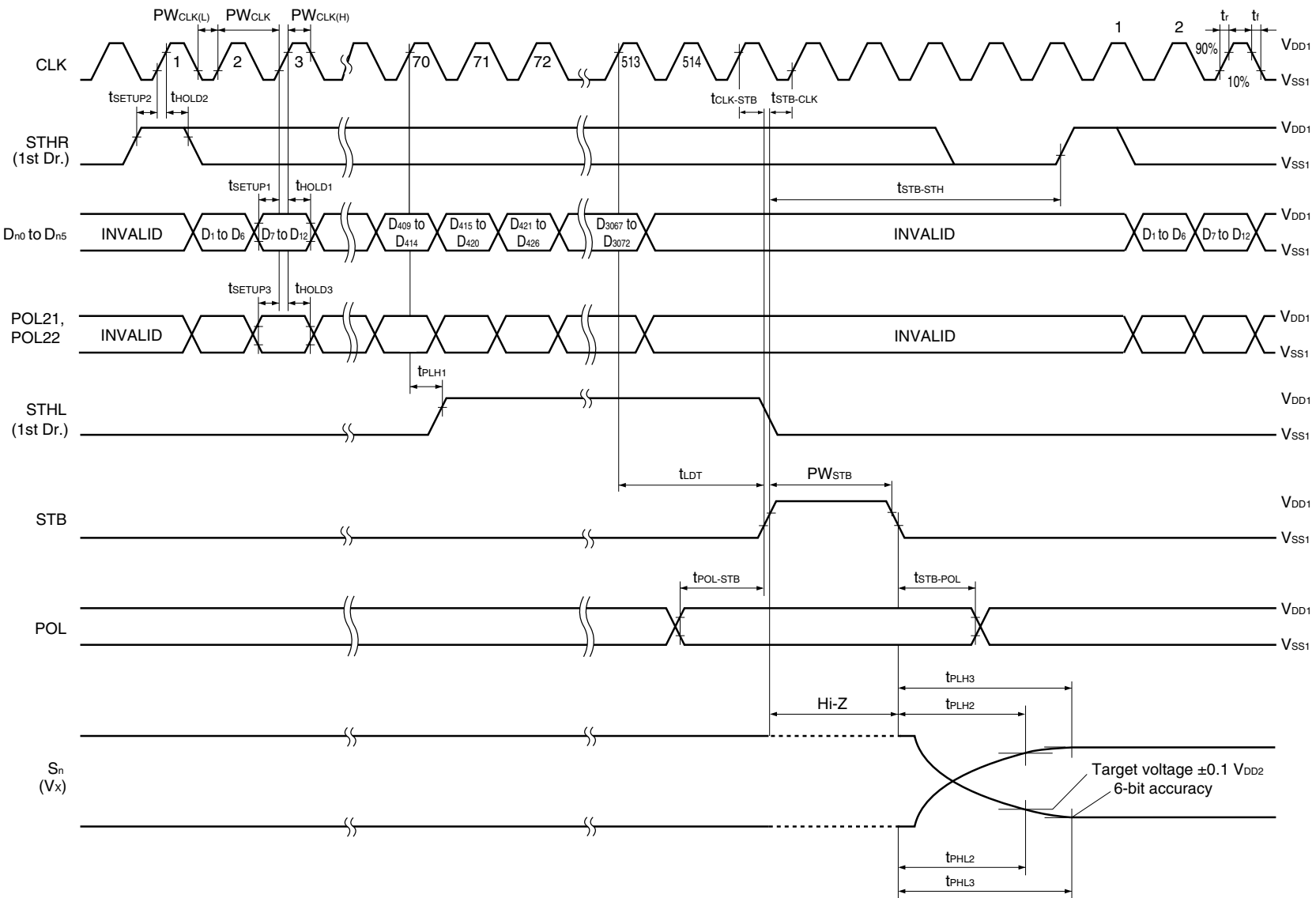
Timing Requirement ($T_A = -10$ to $+75^\circ\text{C}$, $V_{DD1} = 2.3$ to 3.6 V, $V_{SS1} = 0$ V, $t_r = t_f = 5.0$ ns)

Parameter	Symbol	Conditions	MIN.	TYP.	MAX.	Unit
Clock Pulse Width	PW_{CLK}		22			ns
Clock Pulse High Period	$PW_{CLK(H)}$		4			ns
Clock Pulse Low Period	$PW_{CLK(L)}$		4			ns
Data Setup Time	t_{SETUP1}		4			ns
Data Hold Time	t_{HOLD1}		0			ns
Start Pulse Setup Time	t_{SETUP2}		4			ns
Start Pulse Hold Time	t_{HOLD2}		0			ns
POL21, POL22 Setup Time	t_{SETUP3}		4			ns
POL21, POL22 Hold Time	t_{HOLD3}		0			ns
STB Pulse Width	PW_{STB}		2			CLK
Last Data Timing	t_{LDT}		2			CLK
CLK-STB Time	$t_{CLK-STB}$	CLK \uparrow \rightarrow STB \uparrow	6			ns
STB-CLK Time	$t_{STB-CLK}$	STB \uparrow \rightarrow CLK \uparrow	9			ns
Time Between STB and Start Pulse	$t_{STB-STH}$	STB \uparrow \rightarrow STHR(STHL) \uparrow	2			CLK
POL-STB Time	$t_{POL-STB}$	POL \uparrow or \downarrow \rightarrow STB \uparrow	-5			ns
STB-POL Time	$t_{STB-POL}$	STB \downarrow \rightarrow POL \downarrow or \uparrow	6			ns

Remark Unless otherwise specified, the input level is defined to be $V_{IH} = 0.7 V_{DD1}$, $V_{IL} = 0.3 V_{DD1}$.

Switching characteristics waveform (R_f/L = H)

Unless otherwise specified, the input level is defined to be V_{IH} = 0.7 V_{DD1}, V_{IL} = 0.3 V_{DD1}.



11. RECOMMENDED MOUNTING CONDITIONS

The following conditions must be met for soldering conditions of the μ PD160062.

For more details, refer to the **Semiconductor Device Mount Manual**

(<http://www.necel.com/pkg/en/mount/index.html>).

Please consult with our sales offices in case other soldering process is used, or in case the soldering is done under different conditions.

μ PD160062N-xxx: TCP (TAB package)

Mounting Condition	Mounting Method	Condition
Thermocompression	Soldering	Heating tool 300 to 350°C, heating for 2 to 3 seconds, pressure 100g (per solder)
	ACF (Adhesive Conductive Film)	Temporary bonding 70 to 100°C, pressure 3 to 8 kg/cm ² , time 3 to 5 seconds. Real bonding 165 to 180°C, pressure 25 to 45 kg/cm ² , time 30 to 40 seconds. (When using the anisotropy conductive film SUMIZAC1003 of Sumitomo Bakelite, Ltd.)

Caution To find out the detailed conditions for packaging the ACF part, please contact the ACF manufacturing company. Be sure to avoid using two or more packaging methods at a time.

NOTES FOR CMOS DEVICES**① PRECAUTION AGAINST ESD FOR SEMICONDUCTORS**

Note:

Strong electric field, when exposed to a MOS device, can cause destruction of the gate oxide and ultimately degrade the device operation. Steps must be taken to stop generation of static electricity as much as possible, and quickly dissipate it once, when it has occurred. Environmental control must be adequate. When it is dry, humidifier should be used. It is recommended to avoid using insulators that easily build static electricity. Semiconductor devices must be stored and transported in an anti-static container, static shielding bag or conductive material. All test and measurement tools including work bench and floor should be grounded. The operator should be grounded using wrist strap. Semiconductor devices must not be touched with bare hands. Similar precautions need to be taken for PW boards with semiconductor devices on it.

② HANDLING OF UNUSED INPUT PINS FOR CMOS

Note:

No connection for CMOS device inputs can be cause of malfunction. If no connection is provided to the input pins, it is possible that an internal input level may be generated due to noise, etc., hence causing malfunction. CMOS devices behave differently than Bipolar or NMOS devices. Input levels of CMOS devices must be fixed high or low by using a pull-up or pull-down circuitry. Each unused pin should be connected to V_{DD} or GND with a resistor, if it is considered to have a possibility of being an output pin. All handling related to the unused pins must be judged device by device and related specifications governing the devices.

③ STATUS BEFORE INITIALIZATION OF MOS DEVICES

Note:

Power-on does not necessarily define initial status of MOS device. Production process of MOS does not define the initial operation status of the device. Immediately after the power source is turned ON, the devices with reset function have not yet been initialized. Hence, power-on does not guarantee out-pin levels, I/O settings or contents of registers. Device is not initialized until the reset signal is received. Reset operation must be executed immediately after power-on for devices having reset function.

Reference Documents**NEC Semiconductor Device Reliability/Quality Control System (C10983E)****Quality Grades On NEC Semiconductor Devices (C11531E)**

- **The information in this document is current as of July, 2003. The information is subject to change without notice. For actual design-in, refer to the latest publications of NEC Electronics data sheets or data books, etc., for the most up-to-date specifications of NEC Electronics products. Not all products and/or types are available in every country. Please check with an NEC Electronics sales representative for availability and additional information.**
- No part of this document may be copied or reproduced in any form or by any means without the prior written consent of NEC Electronics. NEC Electronics assumes no responsibility for any errors that may appear in this document.
- NEC Electronics does not assume any liability for infringement of patents, copyrights or other intellectual property rights of third parties by or arising from the use of NEC Electronics products listed in this document or any other liability arising from the use of such products. No license, express, implied or otherwise, is granted under any patents, copyrights or other intellectual property rights of NEC Electronics or others.
- Descriptions of circuits, software and other related information in this document are provided for illustrative purposes in semiconductor product operation and application examples. The incorporation of these circuits, software and information in the design of a customer's equipment shall be done under the full responsibility of the customer. NEC Electronics assumes no responsibility for any losses incurred by customers or third parties arising from the use of these circuits, software and information.
- While NEC Electronics endeavors to enhance the quality, reliability and safety of NEC Electronics products, customers agree and acknowledge that the possibility of defects thereof cannot be eliminated entirely. To minimize risks of damage to property or injury (including death) to persons arising from defects in NEC Electronics products, customers must incorporate sufficient safety measures in their design, such as redundancy, fire-containment and anti-failure features.
- NEC Electronics products are classified into the following three quality grades: "Standard", "Special" and "Specific".

The "Specific" quality grade applies only to NEC Electronics products developed based on a customer-designated "quality assurance program" for a specific application. The recommended applications of an NEC Electronics product depend on its quality grade, as indicated below. Customers must check the quality grade of each NEC Electronics product before using it in a particular application.

"Standard": Computers, office equipment, communications equipment, test and measurement equipment, audio and visual equipment, home electronic appliances, machine tools, personal electronic equipment and industrial robots.

"Special": Transportation equipment (automobiles, trains, ships, etc.), traffic control systems, anti-disaster systems, anti-crime systems, safety equipment and medical equipment (not specifically designed for life support).

"Specific": Aircraft, aerospace equipment, submersible repeaters, nuclear reactor control systems, life support systems and medical equipment for life support, etc.

The quality grade of NEC Electronics products is "Standard" unless otherwise expressly specified in NEC Electronics data sheets or data books, etc. If customers wish to use NEC Electronics products in applications not intended by NEC Electronics, they must contact an NEC Electronics sales representative in advance to determine NEC Electronics' willingness to support a given application.

(Note)

- (1) "NEC Electronics" as used in this statement means NEC Electronics Corporation and also includes its majority-owned subsidiaries.
- (2) "NEC Electronics products" means any product developed or manufactured by or for NEC Electronics (as defined above).