

**OBSOLETE:**  
**FOR INFORMATION PURPOSES ONLY**  
 Contact Linear Technology for Potential Replacement

## FEATURES

- Single Chip Provides Complete LocalTalk®/AppleTalk® Port
- Low Power:  $I_{CC} = 1.2\text{mA}$  Typ
- Shutdown Pin Reduces  $I_{CC}$  to  $30\mu\text{A}$  Typ
- Drivers Maintain High Impedance in Three-State or with Power Off
- 30ns Driver Propagation Delay Typ
- 5ns Driver Skew Typ
- Thermal Shutdown Protection
- Drivers are Short-Circuit Protected

## APPLICATIONS

- LocalTalk Peripherals
- Notebook/Palmtop Computers
- Battery-Powered Systems

AppleTalk and LocalTalk are registered trademarks of Apple Computer, Inc.

## DESCRIPTION

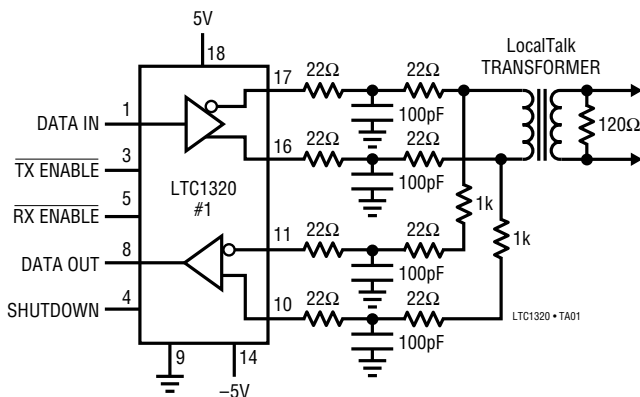
The LTC1320 is an RS422/RS562 line transceiver designed to operate on LocalTalk networks. It provides one differential RS422 driver, one single-ended RS562 driver, two single-ended RS562 receivers, and one differential RS422 receiver. The LTC1320 draws only 1.2mA quiescent current when active and  $30\mu\text{A}$  in shutdown, making it ideal for use in battery-powered devices and other systems where power consumption is a primary concern.

The LTC1320 drivers are specified to drive  $\pm 2\text{V}$  into  $100\Omega$ . Additionally, the driver outputs three-state when disabled, during shutdown, or when the power is off; they maintain high impedance even with output common-mode voltages beyond the power supply rails. Both the driver outputs and receiver inputs are protected against ESD damage to beyond 5kV.

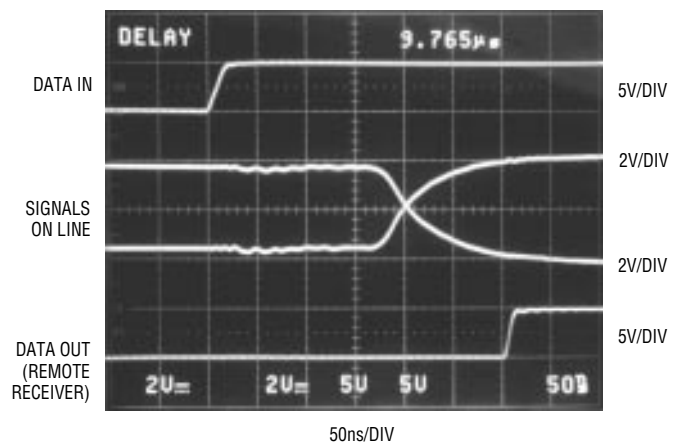
The LTC1320 is available in the 18-pin SOL package.

## TYPICAL APPLICATION

Typical LocalTalk Connection



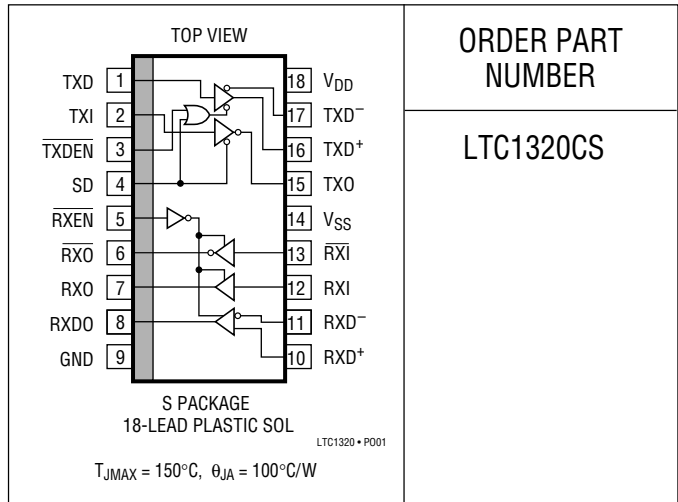
Output Waveforms



**ABSOLUTE MAXIMUM RATINGS**

Supply Voltage ( $V_{DD}$ ) ..... 7V  
 Supply Voltage ( $V_{SS}$ ) ..... -7V  
 Input Voltage (Logic Inputs) ..... -0.3V to  $V_{DD} + 0.3V$   
 Input Voltage (Receiver Inputs) .....  $\pm 15V$   
 Driver Output Voltage (Forced) .....  $\pm 15V$   
 Output Short-Circuit Duration ..... Indefinite  
 Operating Temperature Range .....  $0^{\circ}C$  to  $70^{\circ}C$   
 Storage Temperature Range .....  $-65^{\circ}C$  to  $150^{\circ}C$   
 Lead Temperature (Soldering, 10 sec) .....  $300^{\circ}C$

**PACKAGE/ORDER INFORMATION**



ORDER PART NUMBER

LTC1320CS

Consult factory for Industrial and Military grade parts.

**DC ELECTRICAL CHARACTERISTICS**  $V_S = \pm 5V \pm 5\%$ ,  $T_A = 0^{\circ}C$  to  $70^{\circ}C$  (Notes 2, 3)

SYMBOL	PARAMETER	CONDITIONS	MIN	TYP	MAX	UNITS
$V_{OD}$	Differential Driver Output Voltage	No Load	●	8.0		V
		$R_L = 100\Omega$ (Figure 1)	●	2.0		V
		Change in Magnitude of Driver Differential Output Voltage			0.2	
$V_{OC}$	Driver Common-Mode Output Voltage	$R_L = 100\Omega$ (Figure 1)		3		V
	Output Common-Mode Range	SD = 5V or Power Off	●		$\pm 10$	V
	Single-Ended Driver Output Voltage	No Load	●	$\pm 4.0$		V
		$R_L = 400\Omega$	●	$\pm 3.4$		V
		Input High Voltage	All Logic Input Pins	●	2.0	
	Input Low Voltage	All Logic Input Pins	●		0.8	V
	Input Current	All Logic Input Pins	●	$\pm 1$	$\pm 20$	$\mu A$
	Three-State Output Current	SD = 5V or Power Off, $-10V < V_O < 10V$	●	$\pm 2$	$\pm 100$	$\mu A$
	Driver Short-Circuit Current	$-5V < V_O < 5V$	●	35	350 500	mA
	Receiver Input Resistance	$-7V < V_{IN} < 7V$	●	12		k $\Omega$
$V_{OH}$	Receiver Output High Voltage	$I_O = -4mA$	●	3.5		V
$V_{OL}$	Receiver Output Low Voltage	$I_O = 4mA$	●		0.4	V
	Receiver Output Short-Circuit Current	$0V < V_O < 5V$	●	7	85	mA
	Receiver Output Three-State Current	$0V < V_O < 5V$	●	$\pm 2$	$\pm 100$	$\mu A$
	Differential Receiver Threshold Voltage	$-7V < V_{CM} < 7V$	●	-200	200	mV
	Differential Receiver Input Hysteresis	$-7V < V_{CM} < 7V$		70		mV
	Single-Ended Receiver Input Low Voltage		●		0.8	V
	Single-Ended Receiver Input High Voltage		●	2		V
$I_{DD}$	Supply Current	No Load, SD = 0V	●	1.2	3.0	mA
		No Load, SD = 5V	●	30	350	$\mu A$
$I_{SS}$	Supply Current	No Load, SD = 5V	●	2	350	$\mu A$

## SWITCHING CHARACTERISTICS $V_S = \pm 5V \pm 5\%$ , $T_A = 0^\circ\text{C}$ to $70^\circ\text{C}$ (Notes 2, 3)

SYMBOL	PARAMETER	CONDITIONS	MIN	TYP	MAX	UNITS
$t_{PLH, HL}$	Differential Driver Propagation Delay	$R_L = 100\Omega$ , $C_L = 100\text{pF}$ (Figures 2, 8)	●	40	120	ns
$t_{SKEW}$	Differential Driver Output to Output	$R_L = 100\Omega$ , $C_L = 100\text{pF}$ (Figures 2, 8)	●	10	50	ns
$t_{r, f}$	Differential Driver Rise/Fall Time	$R_L = 100\Omega$ , $C_L = 100\text{pF}$ (Figures 2, 8)	●	15	80	ns
$t_{ENH, L}$	Driver Enable to Output Active	$C_L = 100\text{pF}$ (Figures 3, 4, 10)	●	50	150	ns
$t_{H, Ldis}$	Driver Output Active to Disable	$C_L = 15\text{pF}$ (Figures 3, 4, 10)	●	50	150	ns
$t_{PLH, HL}$	Single-Ended Driver Propagation Delay	$R_L = 450\Omega$ , $C_L = 100\text{pF}$ (Figures 5, 11)	●	40	120	ns
$t_{r, f}$	Single-Ended Driver Rise/Fall Time	$R_L = 450\Omega$ , $C_L = 100\text{pF}$ (Figures 5, 12)	●	15	80	ns
$t_{PLH, HL}$	Receiver Propagation Delay	$C_L = 15\text{pF}$ (Figures 13, 14)	●	60	160	ns
$t_{ENH, L}$	Receiver Enable to Output Active	$C_L = 100\text{pF}$ (Figures 6, 7, 15)	●	30	100	ns
$t_{H, Ldis}$	Receiver Output Active to Disable	$C_L = 15\text{pF}$ (Figures 6, 7, 15)	●	30	100	ns

The ● denotes specifications which apply over the full operating temperature range.

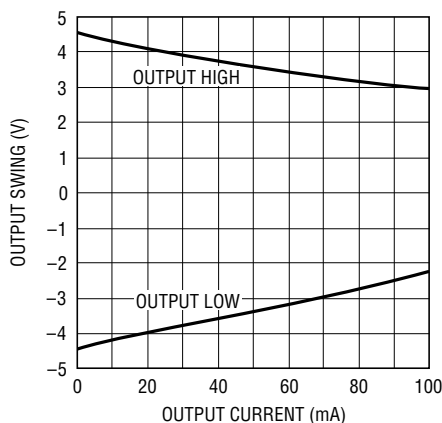
**Note 1:** Absolute Maximum Ratings are those values beyond which the life of a device may be impaired.

**Note 2:** All currents into device pins are positive; all currents out of device pins are negative. All voltages are referenced to ground unless otherwise specified.

**Note 3:** All typicals are given at  $V_S = \pm 5V$ ,  $T_A = 25^\circ\text{C}$ .

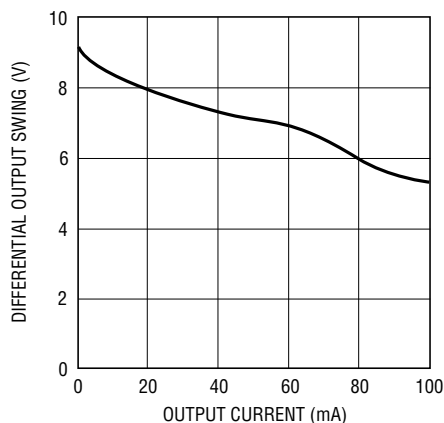
## TYPICAL PERFORMANCE CHARACTERISTICS

Output Swing vs Load Current



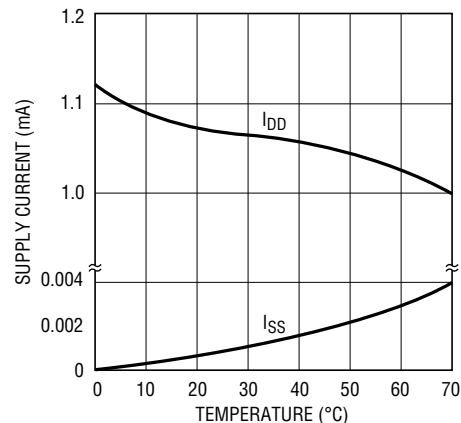
LTC1320 • 601

Differential Output Swing vs Load Current



LTC1320 • 602

Supply Current vs Temperature



LTC1320 • 603

## PIN FUNCTIONS

**TXD (Pin 1):** RS422 Differential Driver Input (TTL Compatible).

**TXI (Pin 2):** RS562 Single-Ended Driver Input (TTL compatible).

**TXDEN (Pin 3):** RS422 Differential Driver Output Enable (TTL Compatible). A high level on this pin forces the

RS422 driver into three-state; a low level enables the driver. This input does not affect the RS562 single-ended driver.

**SD (Pin 4):** Shutdown Input (TTL Compatible). When this pin is high, the chip is shut down: all driver outputs three-state and the supply current drops to  $30\mu\text{A}$ . A low on this pin allows normal operation.

## PIN FUNCTIONS

**RXEN (Pin 5):** Receiver Enable (TTL Compatible). A high level on this pin disables the receivers and three-states the logic outputs; a low level allows normal operation. To prevent erratic behavior at the receiver outputs during shutdown, RXEN should be pulled high along with SD.

**RXO (Pin 6):** Inverting RS562 Single-Ended Receiver Output.

**RXO (Pin 7):** Noninverting RS562 Single-Ended Receiver Output.

**RXDO (Pin 8):** RS422 Differential Receiver Output.

**GND (Pin 9):** Ground Pin.

**RXD+ (Pin 10):** RS422 Differential Receiver Noninverting Input. When this pin is  $\geq 200\text{mV}$  above  $\text{RXD}^-$ ,  $\text{RXDO}$  will be high; when this pin is  $\geq 200\text{mV}$  below  $\text{RXD}^-$ ,  $\text{RXDO}$  will be low.

**RXD- (Pin 11):** RS422 Differential Receiver Inverting Input.

**RXI (Pin 12):** Noninverting RS562 Receiver Input. This input controls the  $\text{RXO}$  output; it has no effect on the  $\text{RXO}$  output.

**RXI (Pin 13):** Inverting RS562 Receiver Input. This input controls the  $\text{RXO}$  output; it has no effect on the  $\text{RXO}$  output.

**VSS (Pin 14):** Negative Supply.  $-4.75 \geq V_{SS} \geq -5.25\text{V}$ . The voltage on this pin must never exceed ground on power up or power-down.

**TXO (Pin 15):** RS562 Single-Ended Driver Output.

**TXD+ (Pin 16):** RS422 Differential Driver Noninverting Output.

**TXD- (Pin 17):** RS422 Differential Driver Inverting Output.

**VDD (Pin 18):** Positive Supply.  $4.75\text{V} \leq V_{DD} \leq 5.25\text{V}$ .

## TEST CIRCUITS

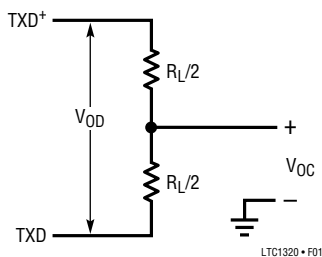


Figure 1

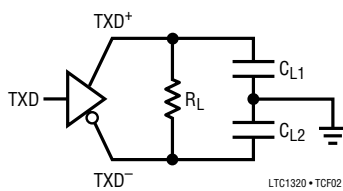


Figure 2

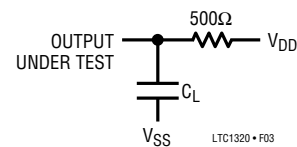


Figure 3

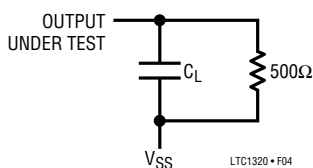


Figure 4

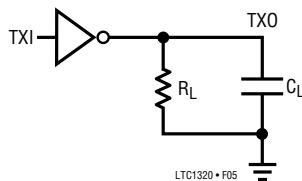


Figure 5

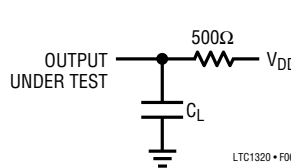


Figure 6

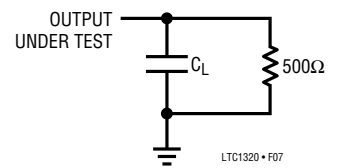


Figure 7

# SWITCHING WAVEFORMS

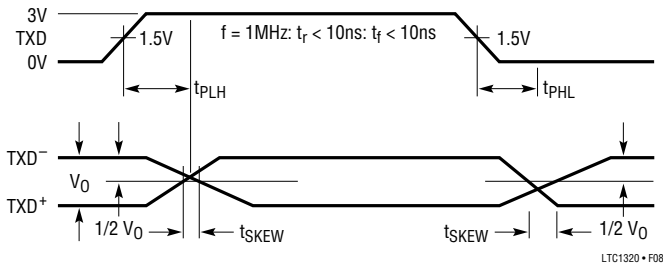


Figure 8

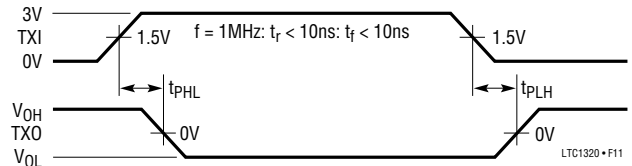


Figure 11

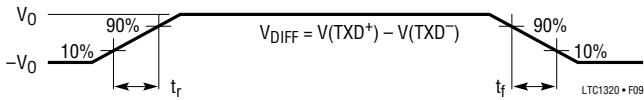


Figure 9



Figure 12

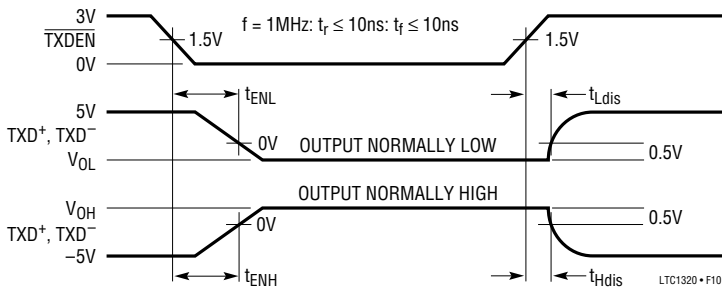


Figure 10

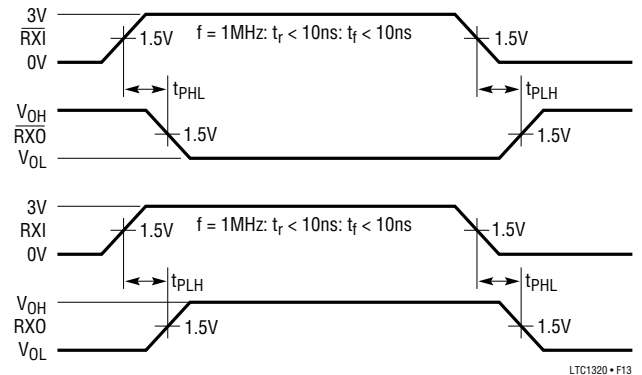


Figure 13

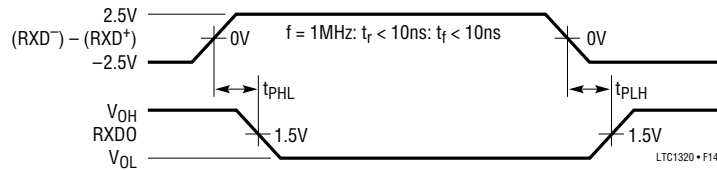


Figure 14

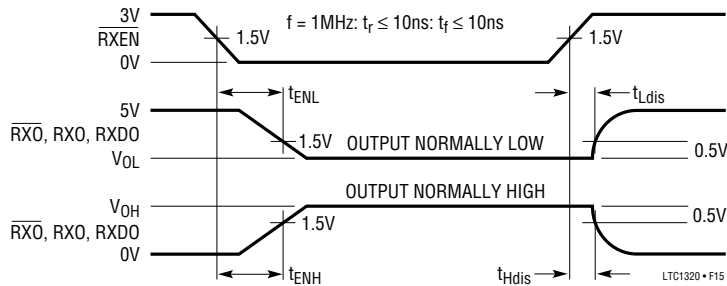


Figure 15

## APPLICATIONS INFORMATION

### Thermal Shutdown Protection

The LTC1320 includes a thermal shutdown circuit which protects the part against prolonged shorts at the driver outputs. If any driver output is shorted to another output or to the power supply, the current will be initially limited to 450mA max. The die temperature will rise to about 150°C, at which point the thermal shutdown circuit turns off the driver outputs. When the die cools to about 130°C, the outputs re-enable. If the shorted condition still exists, the part will heat again and the cycle will repeat. When the short is removed, the part will return to normal operation. This oscillation occurs at about 10Hz and prevents the part from being damaged by excessive power dissipation.

### Power Shutdown

The power shutdown feature of the LTC1320 is designed primarily for battery-powered systems. When SD (pin 4) is forced high, the part enters shutdown mode. In shut-

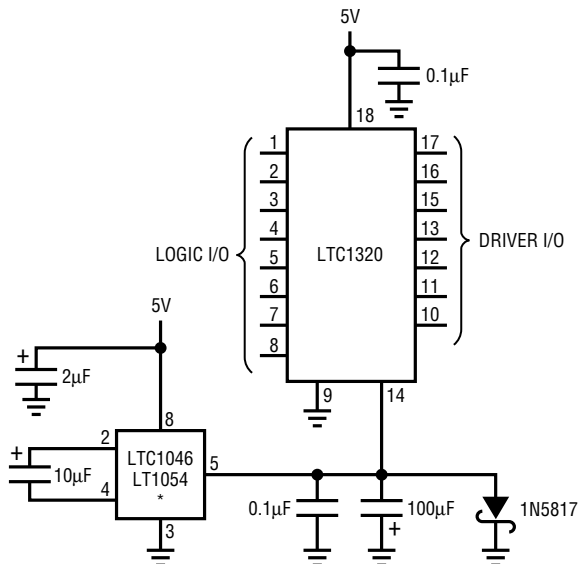
down, the supply current drops from 1.2mA to 30µA typ. The driver outputs are three-stated and the power to the receivers is removed. The receiver outputs are not automatically three-stated in shutdown, and can toggle erroneously due to feedthrough from the inputs. This can be prevented by pulling  $\overline{RXEN}$  high along with SD; this will three-state the receiver outputs and prevent the generation of spurious data.

### Supply Bypassing

The LTC1320 requires that both  $V_{DD}$  and  $V_{SS}$  are well bypassed; data errors can result from inadequate bypassing. Bypass capacitor values of 0.1µF to 1µF from  $V_{DD}$  to ground and from  $V_{SS}$  to ground are adequate. Lead lengths and trace lengths between the capacitors and the chip should be short to minimize lead inductance.

## TYPICAL APPLICATIONS

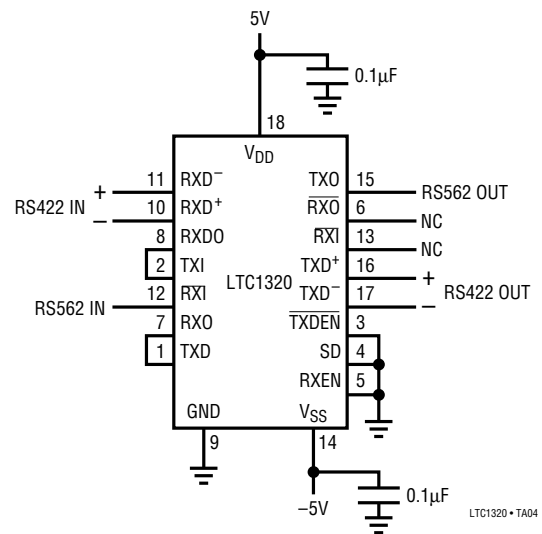
Single 5V Supply



\*LTC1046 GIVES 300µA QUIESCENT CURRENT WHEN LTC1320 IS SHUT DOWN  
LT1054 PROVIDES HIGHER OUTPUT DRIVE

LTC1320 • TA03

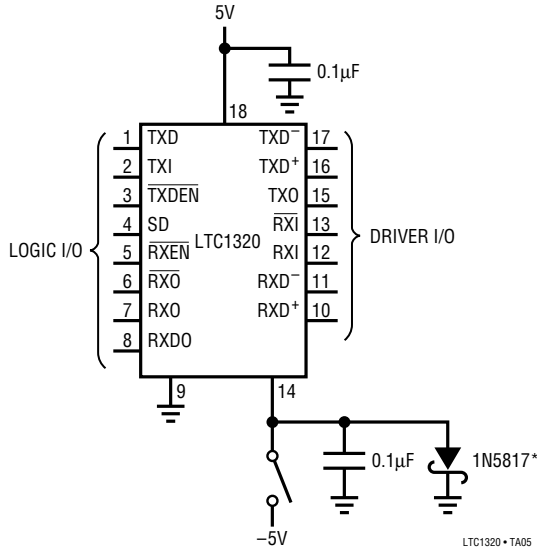
RS422 to RS562/RS562 to RS422 Converter



LTC1320 • TA04

# TYPICAL APPLICATIONS

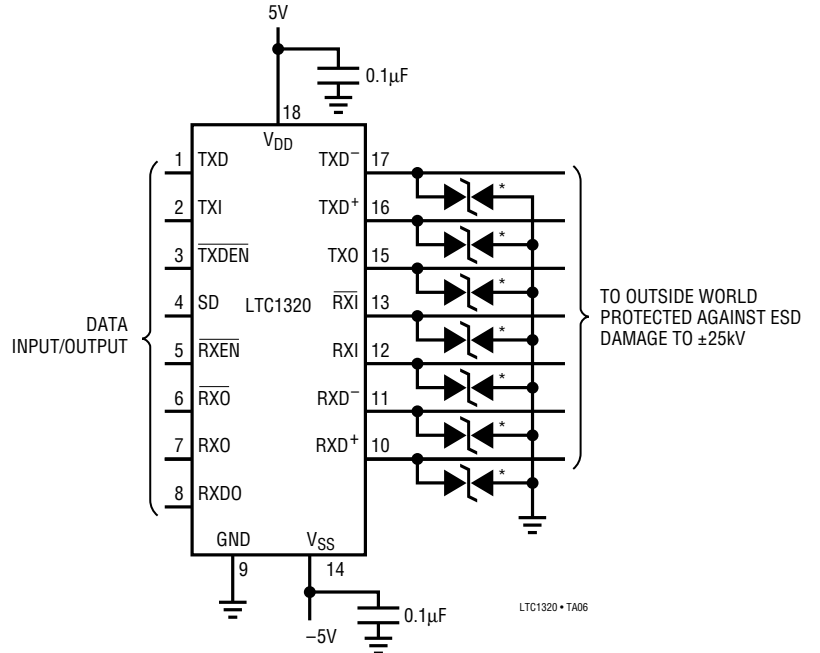
## Switched Negative Supply



\*SCHOTTKY DIODE PREVENTS  $V_{SS}$  FROM EXCEEDING GND ON POWER-UP OR POWER-DOWN

LTC1320 • TA05

## ≥25kV ESD Protection

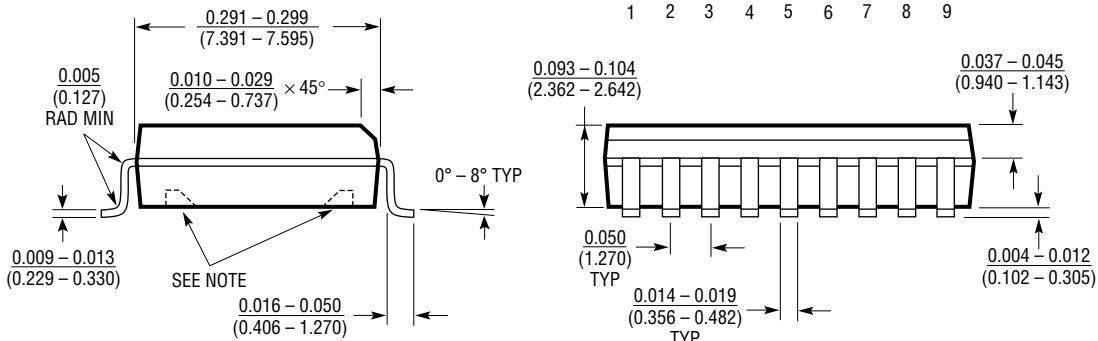
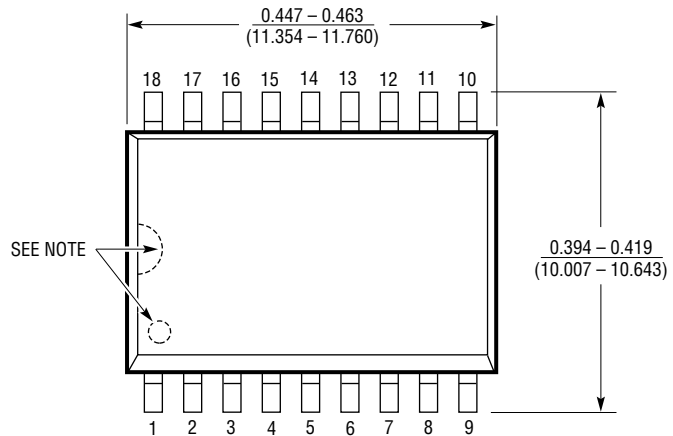


\*GENERAL SEMICONDUCTOR ICTE-22C OR EQUIVALENT

LTC1320 • TA06

# PACKAGE DESCRIPTION

## S Package 18-Lead Plastic SOL



NOTE:  
PIN 1 IDENT, NOTCH ON TOP AND CAVITIES ON THE BOTTOM OF PACKAGES ARE THE MANUFACTURING OPTIONS.  
THE PART MAY BE SUPPLIED WITH OR WITHOUT ANY OF THE OPTIONS.

SOL18 0392

## U.S. Area Sales Offices

### NORTHEAST REGION

**Linear Technology Corporation**  
One Oxford Valley  
2300 E. Lincoln Hwy., Suite 306  
Langhorne, PA 19047  
Phone: (215) 757-8578  
FAX: (215) 757-5631

### CENTRAL REGION

**Linear Technology Corporation**  
Chesapeake Square  
229 Mitchell Court, Suite A-25  
Addison, IL 60101  
Phone: (708) 620-6910  
FAX: (708) 620-6977

### NORTHWEST REGION

**Linear Technology Corporation**  
782 Sycamore Dr.  
Milpitas, CA 95035  
Phone: (408) 428-2050  
FAX: (408) 432-6331

### SOUTHEAST REGION

**Linear Technology Corporation**  
17060 Dallas Parkway  
Suite 208  
Dallas, TX 75248  
Phone: (214) 733-3071  
FAX: (214) 380-5138

### SOUTHWEST REGION

**Linear Technology Corporation**  
22141 Ventura Blvd.  
Suite 206  
Woodland Hills, CA 91364  
Phone: (818) 703-0835  
FAX: (818) 703-0517

## International Sales Offices

### FRANCE

**Linear Technology S.A.R.L.**  
Immeuble "Le Quartz"  
58 Chemin de la Justice  
92290 Chatenay Mallabry  
France  
Phone: 33-1-46316161  
FAX: 33-1-46314613

### KOREA

**Linear Technology Korea Branch**  
Namsong Building, #505  
Itaewon-Dong 260-199  
Yongsan-Ku, Seoul  
Korea  
Phone: 82-2-792-1617  
FAX: 82-2-792-1619

### TAIWAN

**Linear Technology Corporation**  
Rm. 801, No. 46, Sec. 2  
Chung Shan N. Rd.  
Taipei, Taiwan, R.O.C.  
Phone: 886-2-521-7575  
FAX: 886-2-562-2285

### GERMANY

**Linear Technolgy GMBH**  
Untere Hauptstr. 9  
D-8057 Eching  
Germany  
Phone: 49-89-319741-0  
FAX: 49-89-3194821

### SINGAPORE

**Linear Technology Pte. Ltd.**  
101 Boon Keng Road  
#02-15 Kallang Ind. Estates  
Singapore 1233  
Phone: 65-293-5322  
FAX: 65-292-0398

### UNITED KINGDOM

**Linear Technology (UK) Ltd.**  
The Coliseum, Riverside Way  
Camberley, Surrey GU15 3YL  
United Kingdom  
Phone: 44-276-677676  
FAX: 44-276-64851

### JAPAN

**Linear Technology KK**  
5F YZ Building  
4-4-12 Iidabashi Chiyoda-Ku  
Tokyo, 102 Japan  
Phone: 81-3-3237-7891  
FAX: 81-3-3237-8010

## World Headquarters

**Linear Technology Corporation**  
1630 McCarthy Blvd.  
Milpitas, CA 95035-7487  
Phone: (408) 432-1900  
FAX: (408) 434-0507

10/92