



LLF Series

Vertical Fast Lift Float switches



- Operates in 10mm minimum liquid
- 50mm & 200mm length versions
- Vertical mount M12 or M16
- Many variants are UL recognised components File No. E171218
- Will operate in low SG (0.45)

Technical Specification

	LLF59	LLF69
Material	Nylon	PPS
Stem	Nylon	PPS
Float	Buna	Buna
Temp. Range °C	-20 / +75	
°F	-4 / +167	
Min. Fluid SG	0.45	
Must close level (SG=1)	10mm	
Must open level (SG=1)	12mm	

Electrical Specification

		N/O (N/C)
Contact Form		N/O (N/C)
Switching Power Max	VA	25
Switching Voltage AC Max	V	240
Switching Voltage DC Max	V	120
Switching Current Max	A	0.6

All ratings are for resistive load only.

Standard Parts

Standard Parts	Material	Approvals	Switch Action	Leadouts	Gasket
LLF59Y100JC	Nylon/Buna	UL	Make on rise	100cm 2 core PVC 7/0.2	Nitrile
LLF59Y100JC004	Nylon/Buna	UL	Make on fall	100cm 2 core PVC 7/0.2	Nitrile
LLF69A198	PPS/Buna	UL	Make on rise	100cm 2 core PVC 7/0.2	Nitrile
LLF69B198	PPS/Buna	UL	Make on fall	100cm 2 core PVC 7/0.2	Nitrile

Custom versions can be made for particular applications. Please contact Cynergy3 with your requirements.

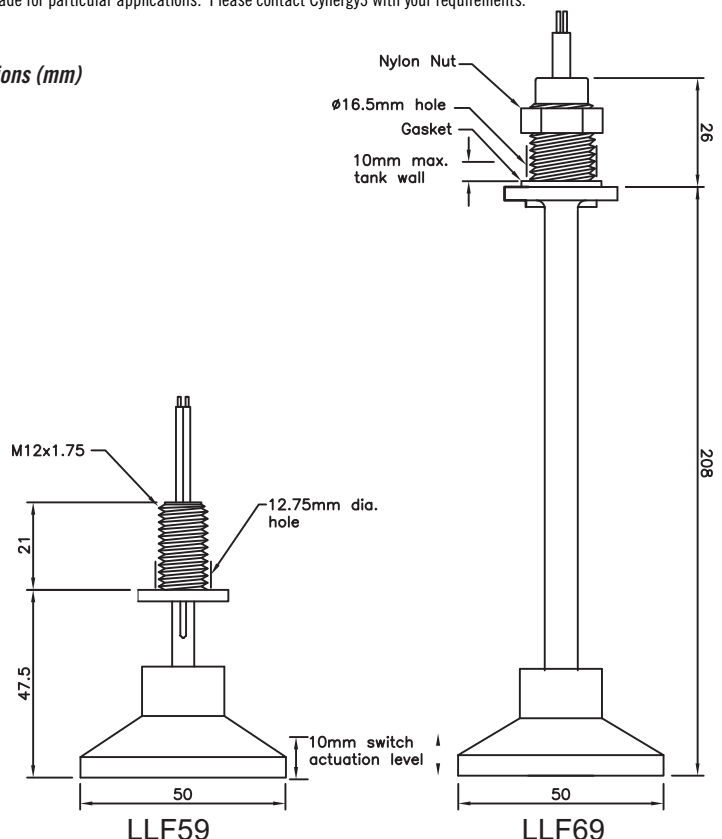
The LLF series of vertical float switches have been developed for applications where very low liquid levels need to be detected.

The LLF uses a large diameter Buna float to allow operation in SG as low as 0.45. The switch is capable of operating in as low as 6mm of water.

Two standard lengths are available with either make on rise or make on fall switching action.

Typical uses include drip tanks, hatch alarms and other applications where highly sensitive liquid detection is required.

Mechanical Dimensions (mm)



Cynergy3 Components Ltd.
7 Cobham Road
Ferndown Industrial Estate
Wimborne, Dorset BH21 7PE
Telephone +44 (0) 1202 897969

Email: sales@cynergy3.com

ISO9001 CERTIFIED

www.cynergy3.com