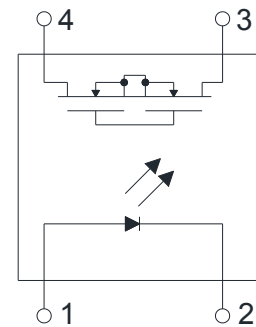


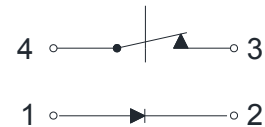
● **Description**

The KAQY412 series is robust, ideal for telecom and ground fault applications. It is a SPST normally close switch (1 Form B) that replaces electromechanical relays in many applications. It is constructed using a GaAlAs LED for actuation control and an integrated monolithic die for the switch output. The die, fabricated in a high-voltage dielectrically isolated technology, is comprised of a photodiode array, switch control circuitry and MOSFET switches.

● **Schematic**



1 FORM B  
NORMALLY CLOSE



● **Features**

1. Normally close, single pole single throw
2. Control 60V AC or DC voltage
3. Switch 200mA loads
4. Controls low-level analog signals
5. High sensitivity, low ON resistance
6. Low-level off-state leakage current
7. High isolation voltage
8. Pb free and RoHS compliant
9. Agency Approvals :
  - UL 1577 / CUL C22.2 No.1 & NTD No. 5, File No. E169586
  - UL 508 / CUL C22.2 No.14-M91, File No. E108430
  - VDE EN60747-5-2, File No. 40020973

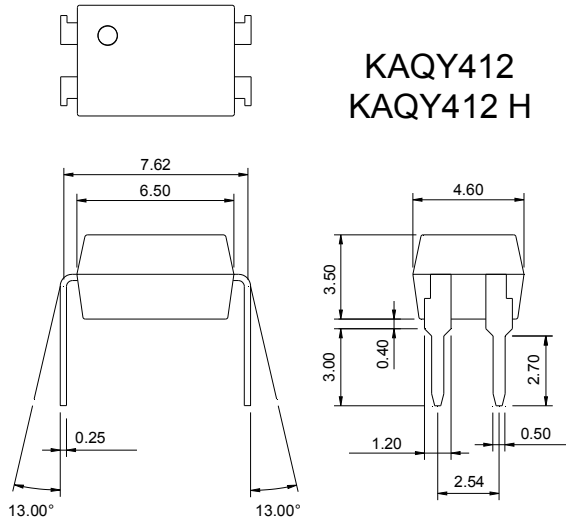
● **Application**

- Telecommunications (PC, electronic notepad)
- Modem
- Telephone equipment
- Security equipment
- Sensors
- Measuring and testing equipment
- Factory automation equipment
- High speed inspection machines

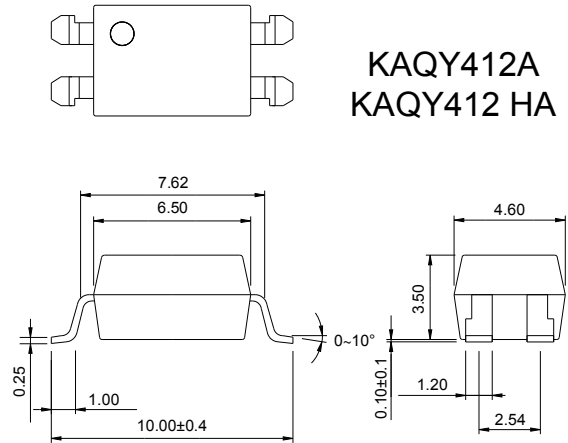
● **Outside Dimension**

Unit : mm

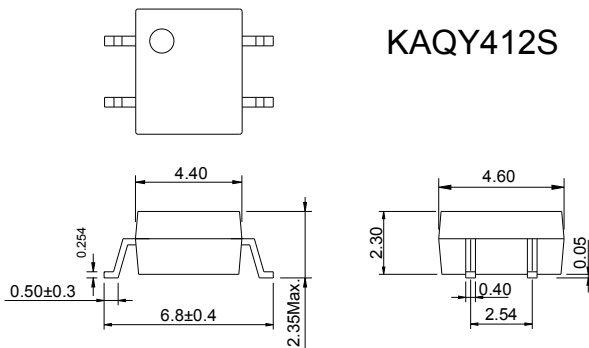
1. Dual-in-line type.



2. Surface mount type.

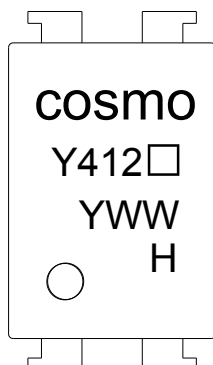


3. Small outline for surface mount type.



TOLERANCE : ±0.2mm

● **Device Marking**



**Notes :**

cosmo

Y412□

YWW

H

□ : Pin forming

Y : Year code / W : Week code

H High isolation voltage series only

● **Absolute Maximum Ratings**

(Ta=25°C)

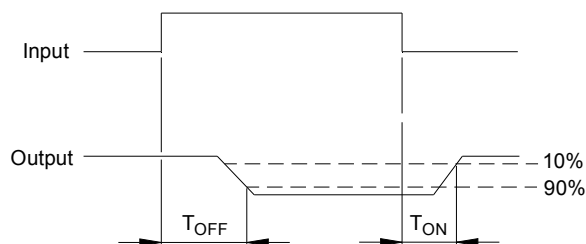
Item		Symbol	Rating		Unit
Input	Continuous forward current	$I_F$	50		mA
	Peak forward current	$I_{FP}$	1		A
	Reverse voltage	$V_R$	5		V
	Power dissipation	$P_{in}$	100		mW
	Derate linearly from 25°C	-	1.3		mW/°C
Output	Breakdown voltage	$V_B$	60		V
	Continuous load current	$I_L$	200		mA
	Power dissipation	$P_{out}$	500		mW
Isolation voltage		$V_{iso}$	<b>KAQY412S</b>	<b>KAQY412</b>	<b>KAQY412H</b>
			1500Vrms	3750Vrms	5000Vrms
Isolation resistance (Vio=500V)		$R_{iso}$	$\geq 10^{10}$		$\Omega$
Total power dissipation		$P_t$	550		mW
Derate linearly from 25°C		-	2.5		mW/°C
Operating temperature		$T_{opr}$	-40 to +85		°C
Storage temperature		$T_{stg}$	-40 to +125		°C
Junction temperature		$T_j$	100		°C
Soldering temperature 10 seconds		$T_{sot}$	260		°C

● **Electro-optical Characteristics**

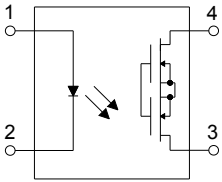
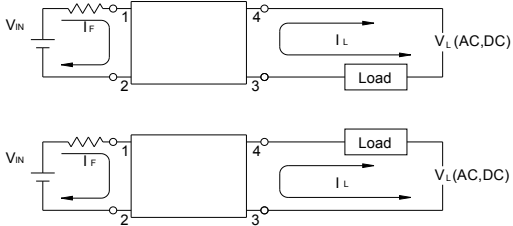
(Ta=25°C)

Parameter		Symbol	Conditions	Min.	Avg.	Max.	Unit
Input	Forward voltage	$V_F$	$I_F=10mA$	-	1.2	1.5	V
	Operation input current	$I_{FOFF}$	$V_L=20V, I_L \leq 5\mu A$	-	-	3.0	mA
	Recovery input current	$I_{FON}$	$V_L=20V, I_L=100mA$	0.2	-	-	mA
Output	Breakdown voltage	$V_B$	$I_B=50\mu A, I_F=10mA$	60	-	-	V
	Off-state leakage current	$I_{LEAK}$	$V_L=60V, I_F=5mA$	-	1.0	2.0	$\mu A$
I/O capacitance		$C_{iso}$	$V_B=0V, f=1MHz$	-	6	-	pF
ON resistance		$R_{ON}$	$I_F=0mA, I_L=100mA$	-	2.5	5	$\Omega$
Reverse (ON) time		$T_{ON}$	$I_F=10mA, V_L=20V$	-	0.6	1.5	ms
Operate (OFF) time		$T_{OFF}$	$I_L=100mA, t=10ms$	-	0.3	1.5	ms

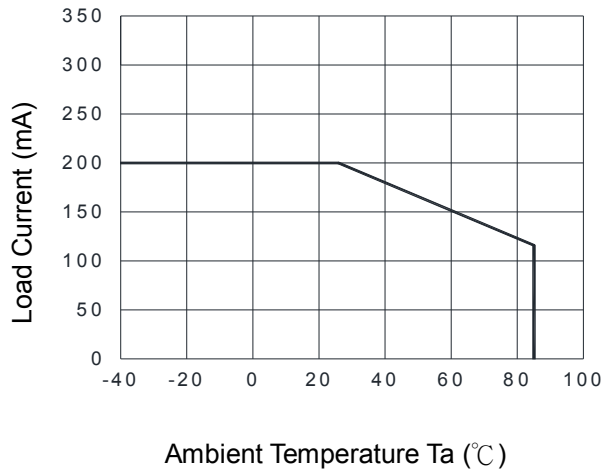
● **Turn-on / Turn-of Time**



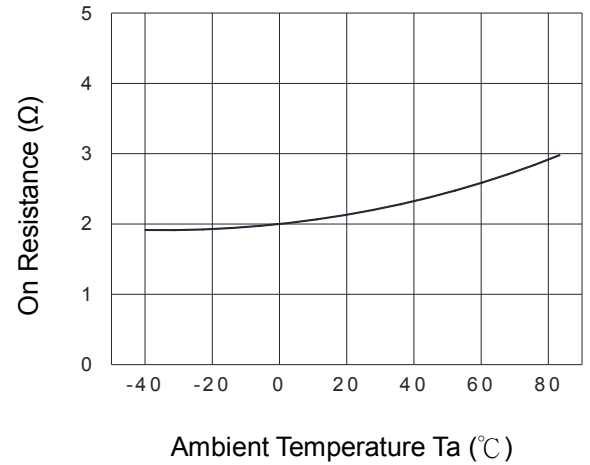
● Schematic and Wiring Diagrams

Schematic	Output Configuration	Load	Connection	Wiring Diagrams
	1b	AC DC	-	

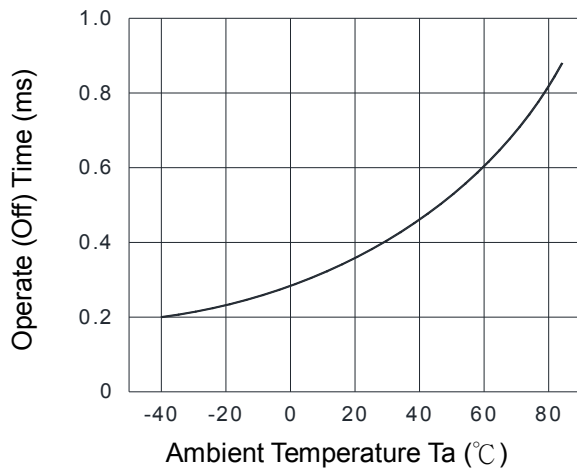
**Fig.1 Load Current vs. Ambient Temperature**



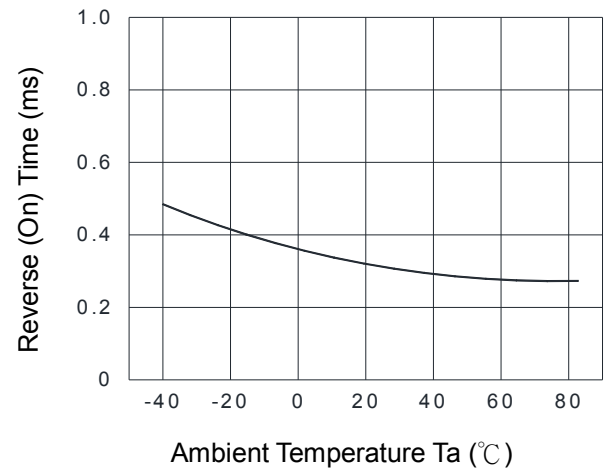
**Fig.2 On Resistance vs. Ambient Temperature**



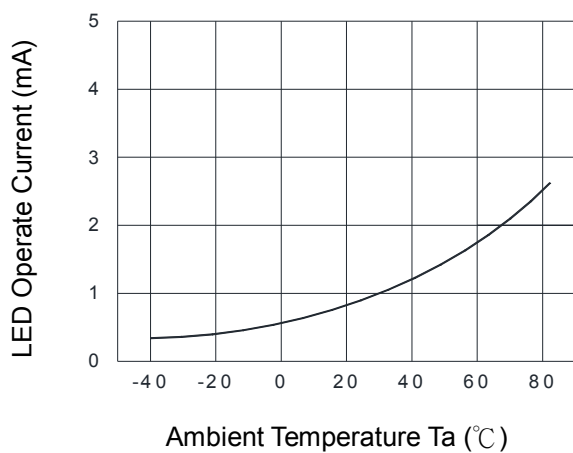
**Fig.3 Operate (OFF) Time vs. Ambient Temperature**



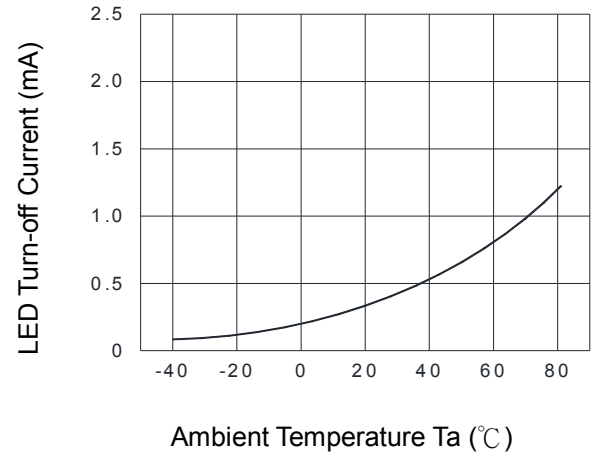
**Fig.4 Reverse (ON) Time vs. Ambient Temperature**



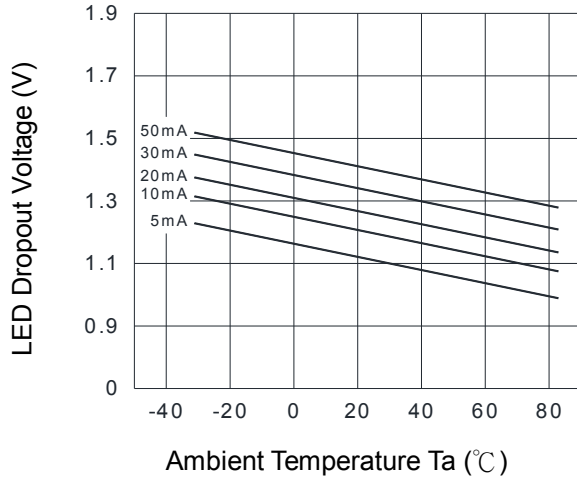
**Fig.5 LED Operate Current vs. Ambient Temperature**



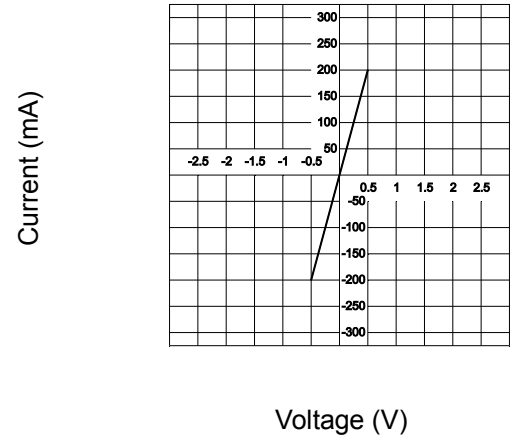
**Fig.6 LED Turn-off Current vs. Ambient Temperature**



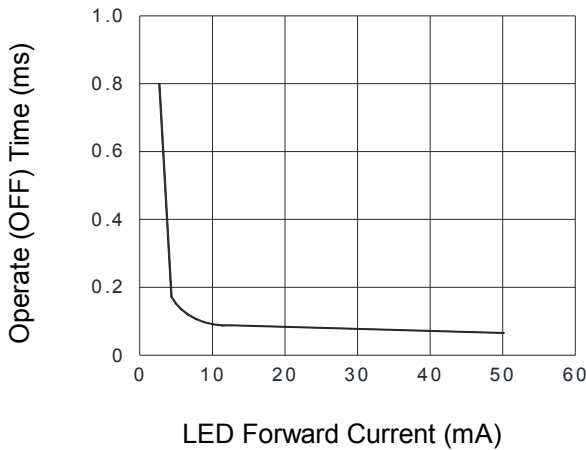
**Fig.7 LED Dropout Voltage vs. Ambient Temperature**



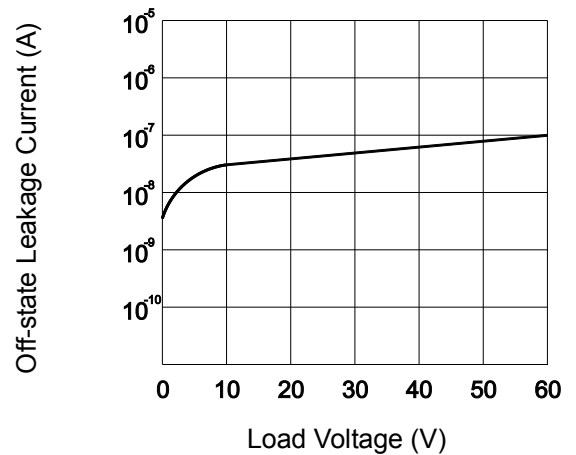
**Fig.8 Voltage vs. Current Characteristics of Output at MOSFET Portion**



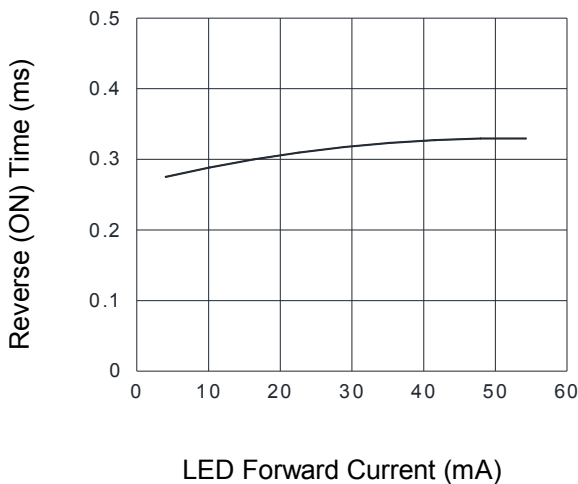
**Fig.9 Operate (OFF) Time vs. LED Forward Current**



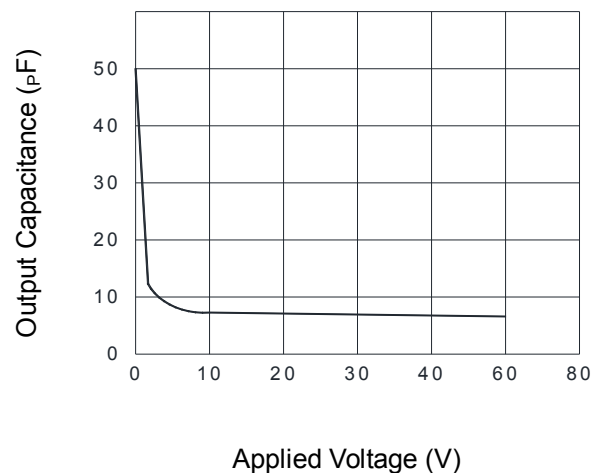
**Fig.10 Off-state Leakage Current vs. Load Voltage**



**Fig.11 Reverse (ON) Time vs. LED Forward Current**

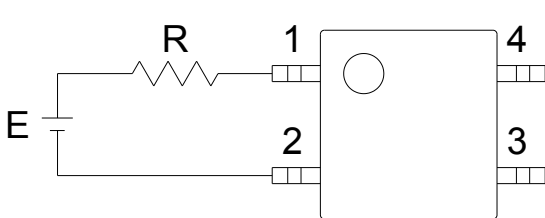


**Fig.12 Output Capacitance vs. Applied Voltage**



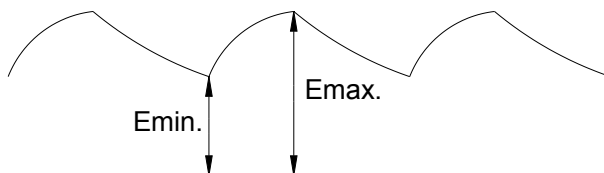
## ● Using Methods

Examples of resistance value to control LED forward current ( $I_F=5\text{mA}$ )

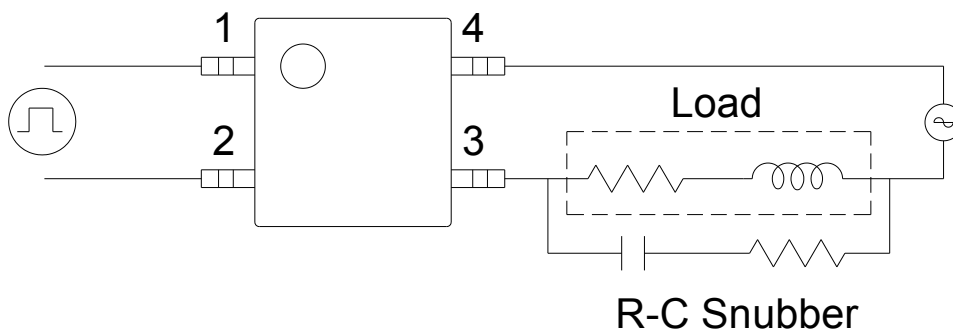
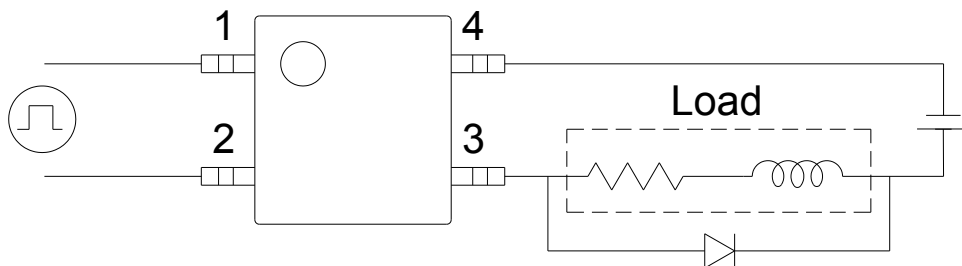


E	R
3.3V	Approx. 330 $\Omega$
5V	Approx. 640 $\Omega$
12V	Approx. 1.9K $\Omega$
15V	Approx. 2.5K $\Omega$
24V	Approx. 4.1K $\Omega$

1. LED forward current must be more than 5mA  $\cdot$  at E min.
2. LED forward current must be less than 50mA  $\cdot$  at E max.



Regulate the spike voltage generated on the inductive load as follows :

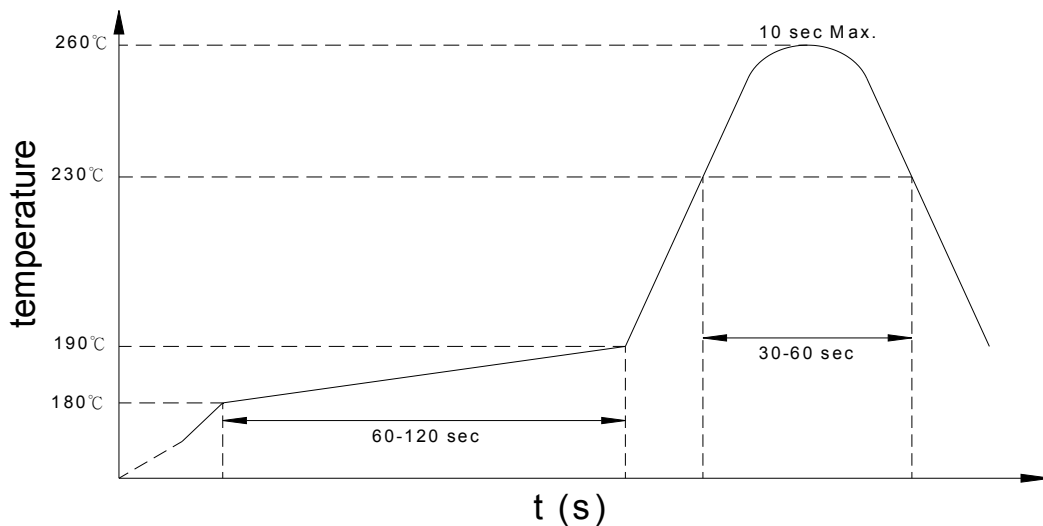


## ● Recommended Soldering Conditions

### (a) Infrared reflow soldering :

- Peak reflow soldering : 260°C or below (package surface temperature)
- Time of peak reflow temperature: 10 sec
- Time of temperature higher than 230°C : 30-60 sec
- Time to preheat temperature from 180~190°C : 60-120 sec
- Number of reflows : Two
- Flux : Rosin flux containing small amount of chlorine  
(The flux with a maximum chlorine content of 0.2 Wt% is recommended.)

### Recommended Temperature Profile of Infrared Reflow



### (b) Wave soldering :

- Temperature : 260°C or below (molten solder temperature)
- Time : 10 seconds or less
- Preheating conditions: 120°C or below (package surface temperature)
- Number of times : One
- Flux : Rosin flux containing small amount of chlorine (The flux with a maximum chlorine content of 0.2 Wt% is recommended.)

### (c) Cautions :

- Fluxes : Avoid removing the residual flux with freon-based and chlorine-based cleaning solvent.
- Avoid shorting between portion of frame and leads.



● **Numbering System**

**KAQY412 X (Y)**

**Note :**

KAQY412 = Part No.

X = Lead form option ( blank · S · A · H or HA )

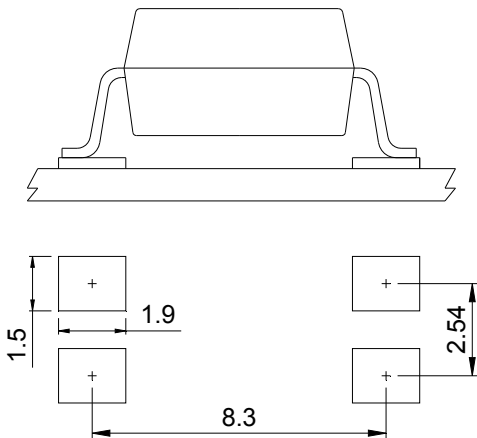
Y = Tape and reel option ( TLD · TRU · TL · TR )

Option	Description	Packing quantity
A (TLD)	surface mount type package + TLD tape & reel option	2000 units per reel
A (TRU)	surface mount type package + TRU tape & reel option	2000 units per reel
HA (TLD)	surface mount type package + TLD tape & reel option	2000 units per reel
HA (TRU)	surface mount type package + TRU tape & reel option	2000 units per reel
S (TL)	small outline for surface mount type package + TL tape & reel option	2000 units per reel
S (TR)	small outline for surface mount type package + TR tape & reel option	2000 units per reel

● **Recommended Pad Layout for Surface Mount Lead Form**

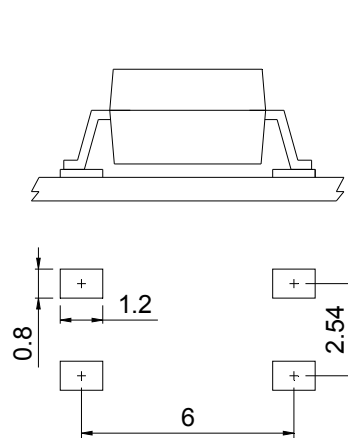
**1. Surface mount type.**

**4-pin SMD**



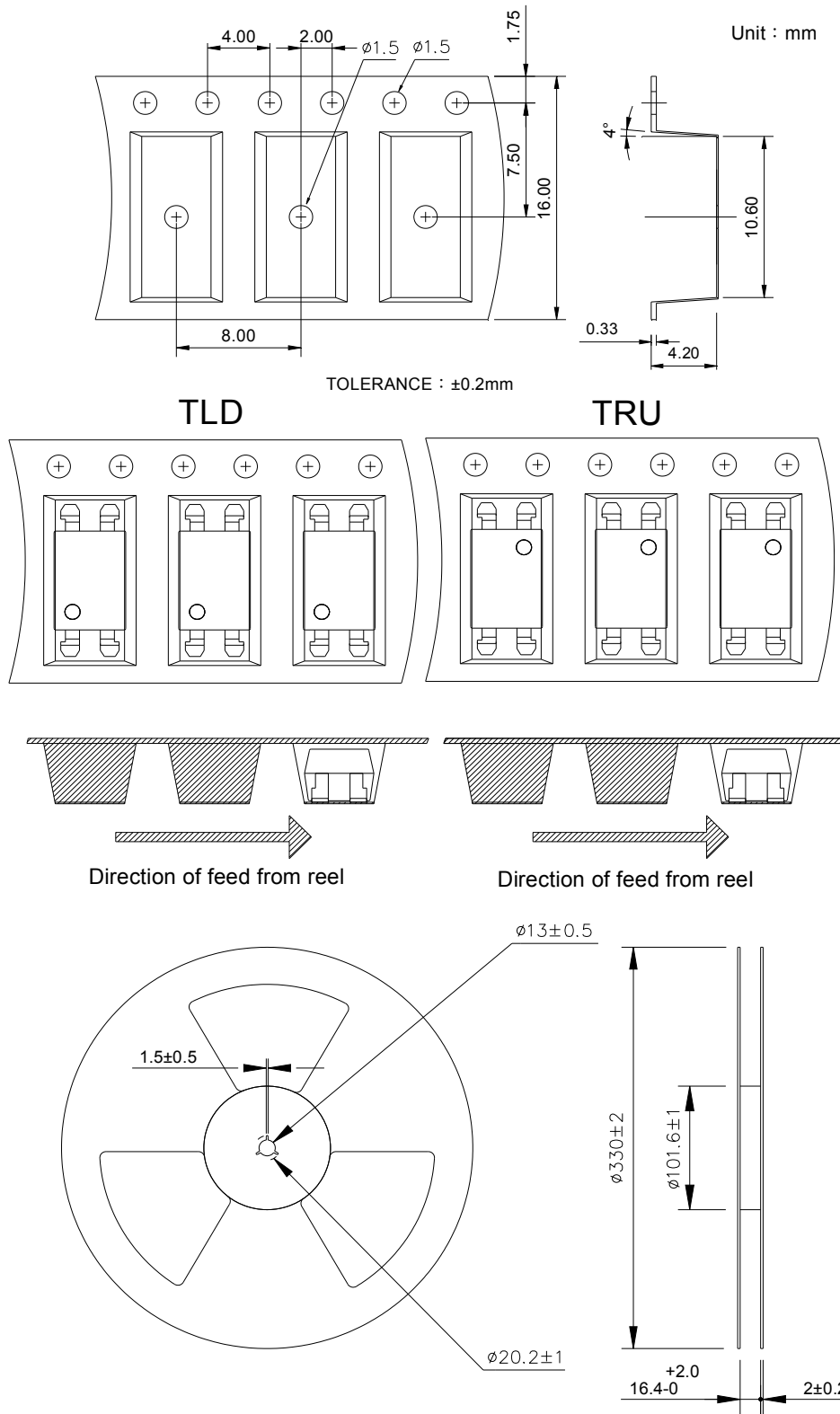
**2. Small outline for surface mount type.**

**4-pin SOP**

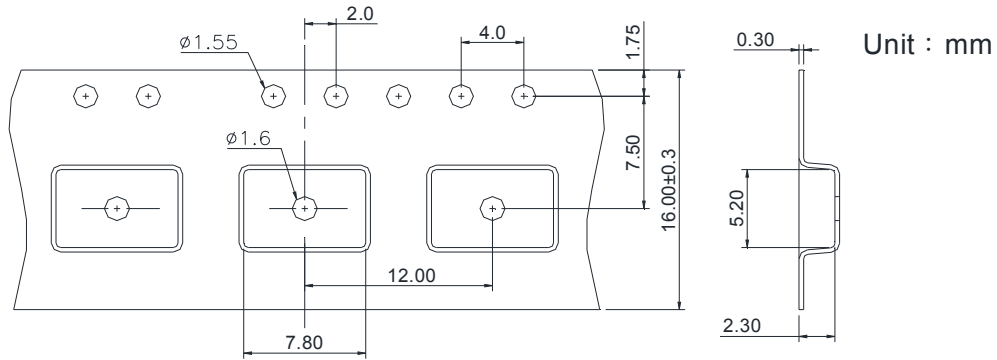


Unit : mm

● 4-pin SMD Carrier Tape & Reel



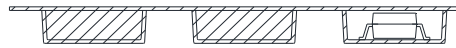
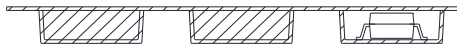
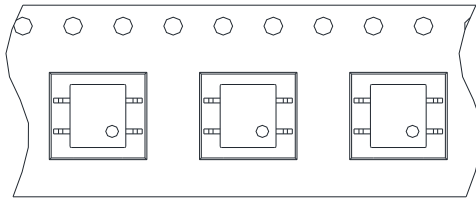
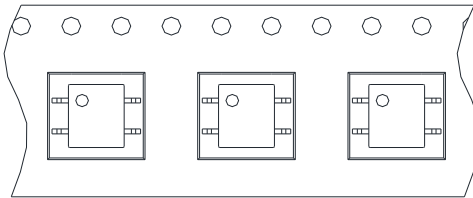
● 4-pin SOP Carrier Tape & Reel



TOLERANCE : ±0.2mm

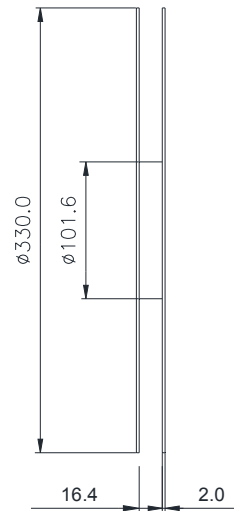
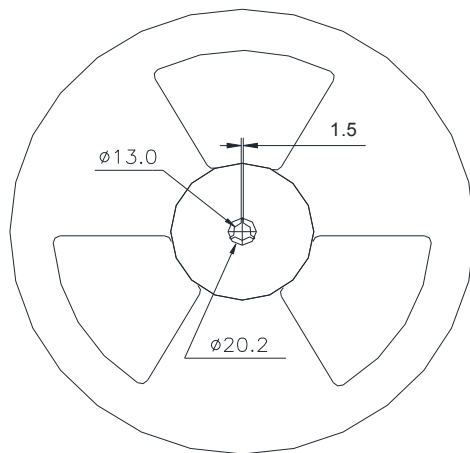
TL

TR



Direction of feed from reel

Direction of feed from reel



## ● Application Notice

The content of datasheet is the guidance for product use only. cosmo takes no responsibility to the accuracy of the information provided here. For continuously improving all of products, including quality, reliability, function...etc., cosmo reserves the right to change the specification, characteristics, data, materials, and structure of products without notice. Please contact with cosmo to obtain the latest specification.

It would be required to comply with the absolute maximum ratings listed in the specification. cosmo has no liability and responsibility to the damage caused by improper use of the products.

cosmo products are intended to be designed for use in general electronics application list below:

- a. Personal computer
- b. OA machine
- c. Audio / Video
- d. Instrumentation
- e. Electrical application
- f. Measurement equipment
- g. Consumer electronics
- h. Telecommunication

cosmo devices shall not be used or related with equipment requiring higher level of quality / reliability, or malfunction, or failure which may cause loss of human life, bodily injury, includes, without limitation:

- a. Medical and other life supporting equipments
- b. Space application
- c. Telecommunication equipment (trunk lines)
- d. Nuclear power control
- e. Equipment used for automotive vehicles, trains, ships...etc.

This publication is the property of cosmo. No part of this publication may be reproduced or copied in any form or any means electronically or mechanically for any purpose, in whole or in part without any written permission expressed from cosmo.