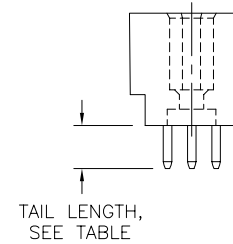
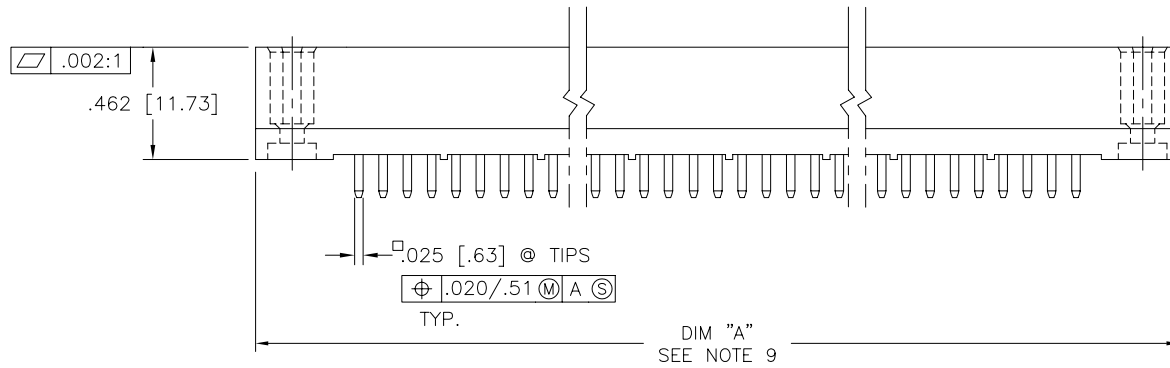
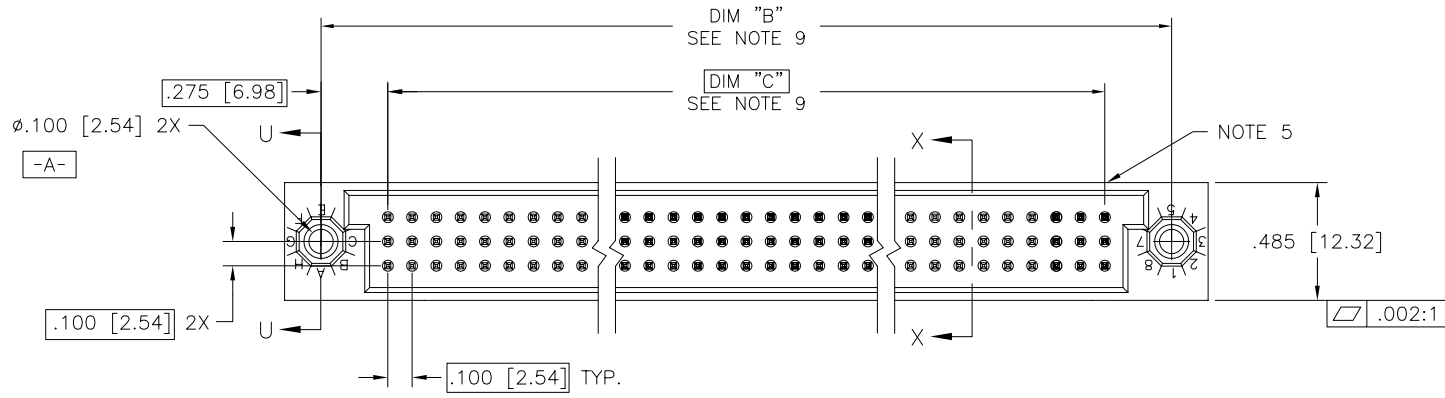


PRODUCT NUMBER  
SEE TABLE



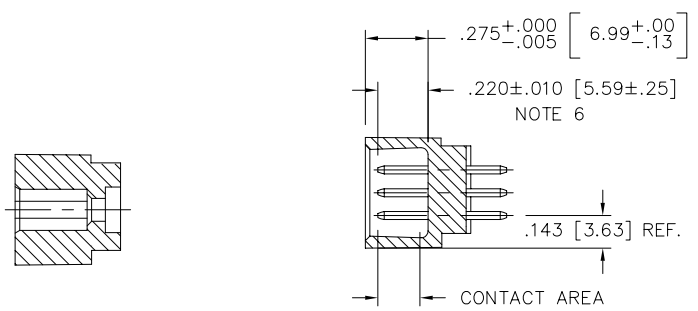
FCI  
FCIconnect.com

Copyright FCI

mat'l. code		surface ISO 1302 ✓		tolerance ISO 406 ISO 1101		projection ⊕		product family HPC	
ltr	ecn no	dr	date	tolerances unless otherwise specified		INCH/MM		title	
C	v41072	GAH	7/5/94	angles	linear	.xx±.01/.3		3 ROW VERTICAL HEADER	
D	v50207	LSS	2/17/95			.xxx±.005/.13		DUPLEX S.T.B. PINS, 0 G.P.	
E	v91230	DLE	6/21/99	0°±2'		.xxxx±.0020/.051		scale 1:1	
F	v00277	JWS	2/3/00	dr	D.HORCHLER	8/17/05		dwg no	
G	v05-0782	DCH	8/17/05	engr	T.BREWBAKER	8/17/05		sheet 1 of 2 size	
H	v05-1048	DAI	11/16/05	chr	T.BREWBAKER	8/17/05		50773 A3	
J	M06-0283	MHT	7/27/06	appd	T.BREWBAKER	8/17/05		type Product Customer Drawing	
sheet index	revision	J	J						
	sheet	1	2						

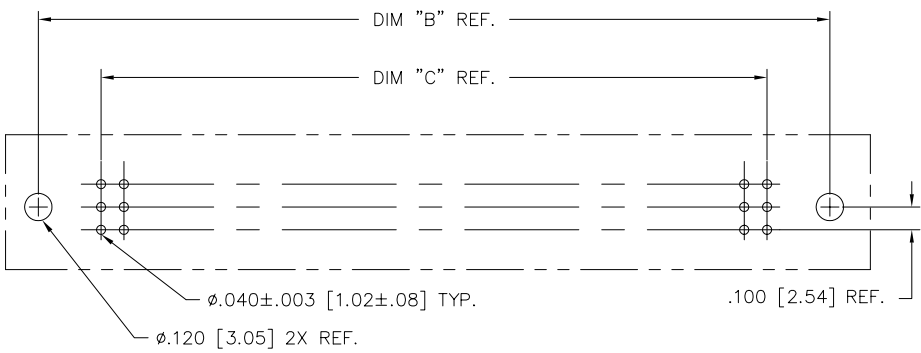
form: A3

PRODUCT NUMBER	MATING AREA CONTACT PLATING	PCB TAIL AREA PLATING	TAIL LENGTH REF
50773-AYYYYA	30u"/0.76u Au	SnPb	.177/4.50
50773-AYYYYJ	30u"/0.76u Au	SnPb	.120/3.05
50773-BYYYYA	30u"/0.76u GXT	SnPb	.177/4.50
50773-BYYYYALF	30u"/0.76u GXT	Sn	.177/4.50
50773-BYYYYJ	30u"/0.76u GXT	SnPb	.120/3.05
50773-BYYYYJLF	30u"/0.76u GXT	Sn	.120/3.05



SECTION U-U

SECTION X-X



RECOMMENDED PCB LAYOUT  
(ALL HOLES LOCATED ON .100/2.54 GRID  
UNLESS OTHERWISE SPECIFIED)

NOTES:

- PRODUCT NUMBERING CODE:  
50773 - X YYY Z LF  
  - LEAD FREE (OPTIONAL)
  - TAIL LENGTH (NOTE 5)
  - NO. OF POSITIONS (NOTE 2)
  - PLATING (NOTE 4)
  - BASE NUMBER
- THIS PRODUCT IS CONFIGURED IN SIZES OF 6 thru 80 COLUMNS IN INCREMENTS OF ONE.  
i.e.: 6,7,8,9,.....78,79,80.
- HOUSING MATERIAL: GLASS AND MINERAL FILLED HIGH TEMP. THERMOPLASTIC. FLAME RETARDANT PER UL94V-0. COLOR: BLACK.  
PIN MATERIAL: PHOS BRONZE
- PLATING OPTIONS: SEE TABLE FOR OVERPLATE OPTIONS. UNDERPLATE IS 50u"/1,27u Ni ALL OVER.
- MANUFACTURERS NAME, PART NUMBER AND LOT CODE TO APPEAR ON THIS SURFACE PER BUS-12-108.
- REFERENCE DRAWING 50810 FOR F.M.L.B. AVAILABLE OPTIONS AND WORKSHEET.
- THIS PRODUCT (WITH "LF" SUFFIX) MEETS EUROPEAN UNION DIRECTIVES AND OTHER COUNTRY REGULATIONS AS DESCRIBED IN GS-22-008.
- THIS HOUSING WILL WITHSTAND EXPOSURE TO 260 DEGREES C PEAK TEMPERATURE FOR 10-30 SECONDS IN A CONVECTION, INFRA-RED OR VAPOR PHASE REFLOW OVEN.
- LENGTH FORMULAS:  
 DIM "A" = .100/2.54 X NO. OF COLUMNS + .750/19.05  
 DIM "B" = .100/2.54 X NO. OF COLUMNS + .450/11.43  
 DIM "C" = .100/2.54 X NO. OF COLUMNS - .100/2.54

mat'l. code		surface ISO 1302 ✓		tolerance ISO 406 ISO 1101		projection		product family HPC	
ltr		ecn no dr		date		tolerances unless otherwise specified		title	
J						.xx±.01/.3		3 ROW VERTICAL HEADER	
						.xxx±.005/.13		DUPLX S.T.B. PINS, 0 G.P.	
						.xxx±.0020/.051		scale 1:1	
				dr D.HORCHLER 8/17/05				dwg no sheet 2 of 2 size	
				enr T.BREWBAKER 8/17/05				50773 A3	
				chr T.BREWBAKER 8/17/05				type Product Customer Drawing	
				app T.BREWBAKER 8/17/05					
sheet index		revision sheet							

FCI connect.com  
Copyright FCI