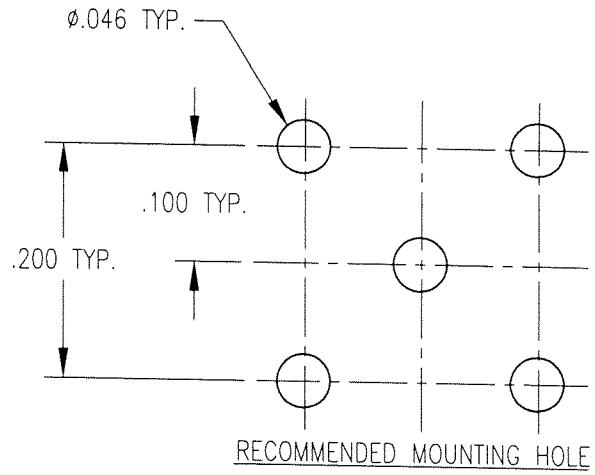
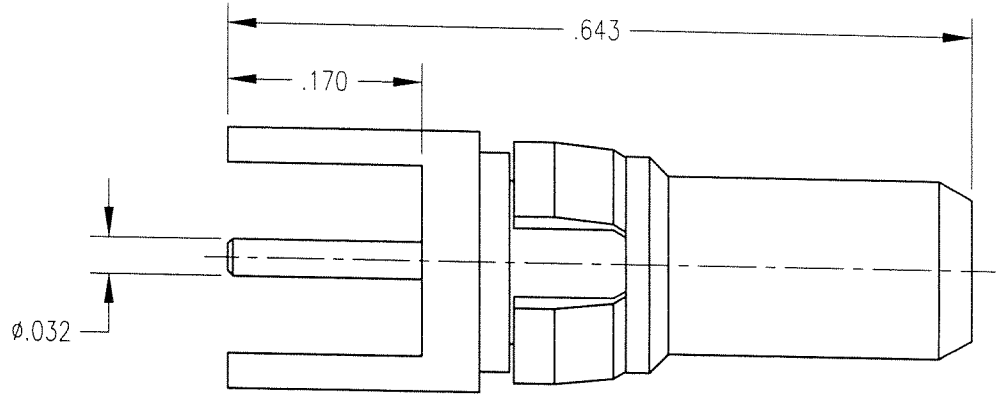
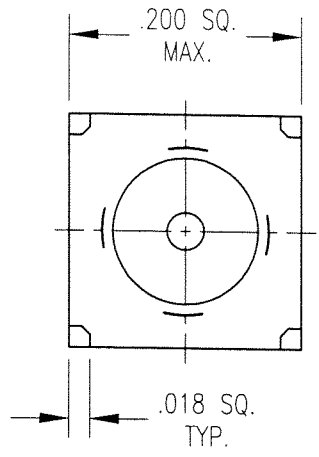


DWG. NO. 400-010-6042G			
REV	DESCRIPTION	BY DATE	APPD
B	ECR 6825	10/4/01 JKT	[Signature]



NOTES:

- MATERIALS:
 BODY: BRASS PER ASTM B16
 CONTACT: COPPER ALLOY
 INSULATOR: TEFLON PER ASTM D1710
 CLIP RING: BERYLLIUM COPPER PER ASTM B194
- FINISH:
 BODY AND CONTACT: .000030 MIN. GOLD PER MIL-G-45204
 OVER .000050 MIN. NICKEL PER QQ-N-290
 CLIP RING: .000100 MIN. NICKEL PER QQ-N-290
 OVER COPPER FLASH

PER ASME Y14.5M-1994 UNLESS OTHERWISE SPECIFIED, DIMENSIONS ARE IN INCHES (MM)				Litton			
TOLERANCES: DECIMALS .xx ± .01/0.254 xxx ± .005/0.127 ANGLES ± 2'				Winchester/Retconn 400 Park Road Watertown, Connecticut 06795			
SCALE: 6:1				TITLE			
CUSTOMER DRAWING				40 SERIES PLUG FOR Z-PACK HOUSING			
DRAWN	DATE	CHECKED	DATE	A			
JEM	04/25/01	JWH	04/25/01	400-010-6042G			
APPROVED	DATE	APPROVED	DATE	SHT.	OF	REV.	
KJT	04/25/01	CA	04/25/01	1	1	B	