

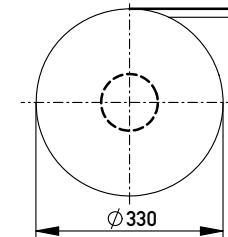
Anforderungsstufe 1
Performance Level 1

Kontaktbereich vergoldet
Mating Area gold plating

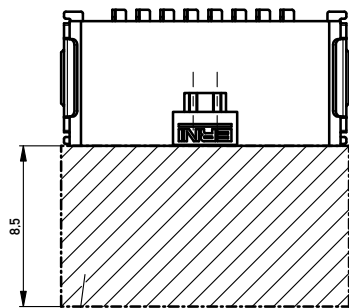
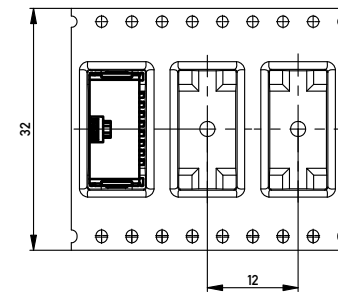
Anschlussbereich verzinkt 4-6 µm
Terminal Area 4-6 µm tin plating

Koplanarität der Anschlüsse ≤ 0,1 mm
Coplanarity Area of Termination ≤ 0,1 mm

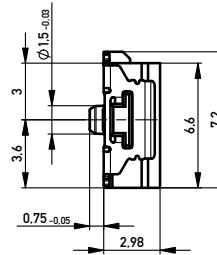
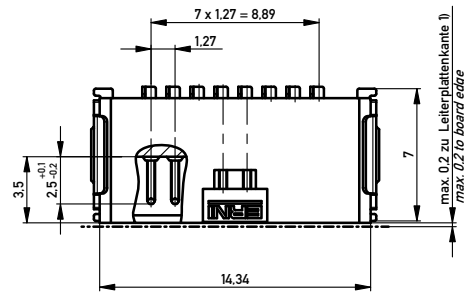
Verpackt in Gurtverpackung
Tape on Reel Packaging
Verpackungseinheit: 1000 Stück
Packaging unit: 1000 pcs



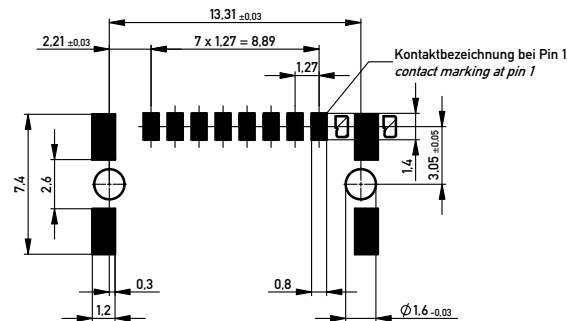
Abspulrichtung - Reel off Direction



Sperrfläche für Leiterbahnen
gültig bei Verwendung von
Gegenstecker Federleiste 90°
in SKV Ausführung
Restricted area for conductors
valid for use by mating
female connector 90°
in IDC version



Leiterplatten-Layout für SMT
PCB-Layout for SMT



1) gültig bei Verwendung von Gegenstecker Federleiste 90° in SMD Ausführung
valid for use by mating female connector 90° in SMD version

Information:		Tolerances		Scale	5:1
All rights reserved. Only for Information. To ensure that this is the latest version of this drawing, please contact one of the ERNI companies before using.		Subject to modification without prior notice. Drawing will not be updated.		Designation	
				M 1.27 SRC A, 8-polig BA1	
		www.ERNI.com		214014	
Date		Date		Class	
14.05.2013				SRCA	
Index				I A2	

Copyright by ERNI GmbH
Proprietary notice pursuant to ISO 16949 to be observed