

SLIM TYPE ULTRA THIN D-SUB

RIGHT ANGLE DIP TYPE (MALE TYPE)

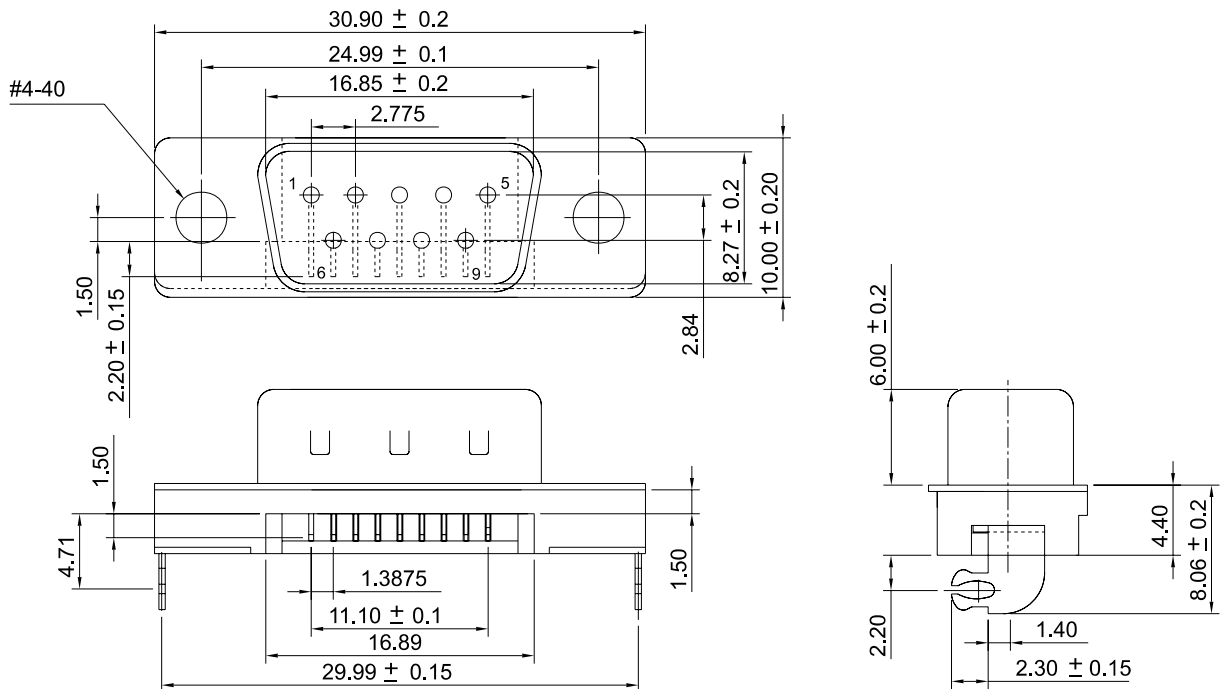


070911MR Series

Mates with *SUYIN 070700F, 070900F, 070200F Series*

Specifications:

- **09 Circuits**
- **Insulator Material** : Black High Temp. Plastic
- **Operating Temp. Range** : -40°C to +230°C
- **Terminal Material** : Phosphor Bronze
- **Plating** : Selective Plated (Gold/Tin)
: Metal shell-Nickel Plated
: Soldering clip-Tin Plated
- **Max. Current Rating** : 2.5A
- **Voltage Rating** : 250V AC
- **Dielectric Strength** : 500V (Min. 60 Seconds)



I/O

Order Information

070911MR009□□00ZU
1 2 3 4 5

1. 'R' : Right Angle Dip Type
 2. No. of Pins
 3. Plating
 4. Color 'Z' : Black
 5. Package
 'U' : Tube Package Without Cap
- Reference Page 11

Recommended P.C.B Layout

