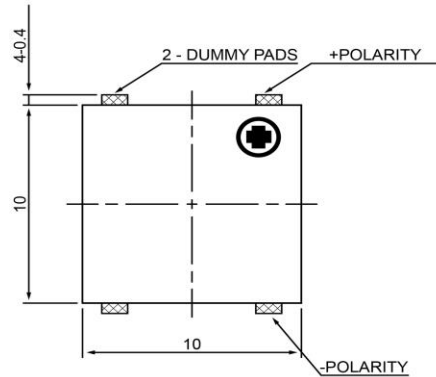
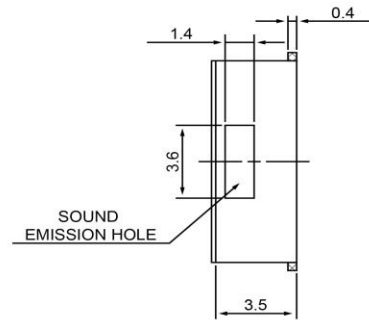


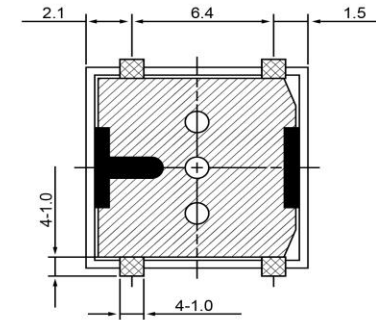
TOP VIEW





SIDE VIEW



BOTTOM VIEW



Specifications			Notes	Revision History					
Description	Value	Unit		Version	Description	Date	Approved		
Technology	Electro-Mechanical		1) All dimensions are in mm unless otherwise noted 2) All parts meet RoHS 	1	Released from Engineering	8/27/2014	J.S.		
Resonant Frequency	2,830	(Hz)							
Rated Voltage	3.6	(V)							
SPL @ 10cm	93	(dBA)							
Coil Resistance	18	(ohm)							
Mount Type	Surface Mount								
Voltage Range	3.0 ~ 4.6	(V)							
Max Rated Current	100	(mA)							
Housing Material	LCP								
Operating Temperature	-20 ~ +70	°C							
Storage Temperature	-40 ~ +85	°C							
Weight	0.9	(g)							
				Electro-Mechanical Transducer		TE102803-1			
				Drawn by	Date	Checked by	Date	Approved by	Date
				A.B.	8/26/2014	C.E.	8/26/2014	J.S.	8/27/2014