

To our customers,

Old Company Name in Catalogs and Other Documents

On April 1st, 2010, NEC Electronics Corporation merged with Renesas Technology Corporation, and Renesas Electronics Corporation took over all the business of both companies. Therefore, although the old company name remains in this document, it is a valid Renesas Electronics document. We appreciate your understanding.

Renesas Electronics website: <http://www.renesas.com>

April 1st, 2010
Renesas Electronics Corporation

Issued by: Renesas Electronics Corporation (<http://www.renesas.com>)

Send any inquiries to <http://www.renesas.com/inquiry>.

Notice

1. All information included in this document is current as of the date this document is issued. Such information, however, is subject to change without any prior notice. Before purchasing or using any Renesas Electronics products listed herein, please confirm the latest product information with a Renesas Electronics sales office. Also, please pay regular and careful attention to additional and different information to be disclosed by Renesas Electronics such as that disclosed through our website.
2. Renesas Electronics does not assume any liability for infringement of patents, copyrights, or other intellectual property rights of third parties by or arising from the use of Renesas Electronics products or technical information described in this document. No license, express, implied or otherwise, is granted hereby under any patents, copyrights or other intellectual property rights of Renesas Electronics or others.
3. You should not alter, modify, copy, or otherwise misappropriate any Renesas Electronics product, whether in whole or in part.
4. Descriptions of circuits, software and other related information in this document are provided only to illustrate the operation of semiconductor products and application examples. You are fully responsible for the incorporation of these circuits, software, and information in the design of your equipment. Renesas Electronics assumes no responsibility for any losses incurred by you or third parties arising from the use of these circuits, software, or information.
5. When exporting the products or technology described in this document, you should comply with the applicable export control laws and regulations and follow the procedures required by such laws and regulations. You should not use Renesas Electronics products or the technology described in this document for any purpose relating to military applications or use by the military, including but not limited to the development of weapons of mass destruction. Renesas Electronics products and technology may not be used for or incorporated into any products or systems whose manufacture, use, or sale is prohibited under any applicable domestic or foreign laws or regulations.
6. Renesas Electronics has used reasonable care in preparing the information included in this document, but Renesas Electronics does not warrant that such information is error free. Renesas Electronics assumes no liability whatsoever for any damages incurred by you resulting from errors in or omissions from the information included herein.
7. Renesas Electronics products are classified according to the following three quality grades: “Standard”, “High Quality”, and “Specific”. The recommended applications for each Renesas Electronics product depends on the product’s quality grade, as indicated below. You must check the quality grade of each Renesas Electronics product before using it in a particular application. You may not use any Renesas Electronics product for any application categorized as “Specific” without the prior written consent of Renesas Electronics. Further, you may not use any Renesas Electronics product for any application for which it is not intended without the prior written consent of Renesas Electronics. Renesas Electronics shall not be in any way liable for any damages or losses incurred by you or third parties arising from the use of any Renesas Electronics product for an application categorized as “Specific” or for which the product is not intended where you have failed to obtain the prior written consent of Renesas Electronics. The quality grade of each Renesas Electronics product is “Standard” unless otherwise expressly specified in a Renesas Electronics data sheets or data books, etc.
 - “Standard”: Computers; office equipment; communications equipment; test and measurement equipment; audio and visual equipment; home electronic appliances; machine tools; personal electronic equipment; and industrial robots.
 - “High Quality”: Transportation equipment (automobiles, trains, ships, etc.); traffic control systems; anti-disaster systems; anti-crime systems; safety equipment; and medical equipment not specifically designed for life support.
 - “Specific”: Aircraft; aerospace equipment; submersible repeaters; nuclear reactor control systems; medical equipment or systems for life support (e.g. artificial life support devices or systems), surgical implantations, or healthcare intervention (e.g. excision, etc.), and any other applications or purposes that pose a direct threat to human life.
8. You should use the Renesas Electronics products described in this document within the range specified by Renesas Electronics, especially with respect to the maximum rating, operating supply voltage range, movement power voltage range, heat radiation characteristics, installation and other product characteristics. Renesas Electronics shall have no liability for malfunctions or damages arising out of the use of Renesas Electronics products beyond such specified ranges.
9. Although Renesas Electronics endeavors to improve the quality and reliability of its products, semiconductor products have specific characteristics such as the occurrence of failure at a certain rate and malfunctions under certain use conditions. Further, Renesas Electronics products are not subject to radiation resistance design. Please be sure to implement safety measures to guard them against the possibility of physical injury, and injury or damage caused by fire in the event of the failure of a Renesas Electronics product, such as safety design for hardware and software including but not limited to redundancy, fire control and malfunction prevention, appropriate treatment for aging degradation or any other appropriate measures. Because the evaluation of microcomputer software alone is very difficult, please evaluate the safety of the final products or system manufactured by you.
10. Please contact a Renesas Electronics sales office for details as to environmental matters such as the environmental compatibility of each Renesas Electronics product. Please use Renesas Electronics products in compliance with all applicable laws and regulations that regulate the inclusion or use of controlled substances, including without limitation, the EU RoHS Directive. Renesas Electronics assumes no liability for damages or losses occurring as a result of your noncompliance with applicable laws and regulations.
11. This document may not be reproduced or duplicated, in any form, in whole or in part, without prior written consent of Renesas Electronics.
12. Please contact a Renesas Electronics sales office if you have any questions regarding the information contained in this document or Renesas Electronics products, or if you have any other inquiries.

(Note 1) “Renesas Electronics” as used in this document means Renesas Electronics Corporation and also includes its majority-owned subsidiaries.

(Note 2) “Renesas Electronics product(s)” means any product developed or manufactured by or for Renesas Electronics.

4-BIT SINGLE-CHIP MICROCONTROLLER WITH LCD CONTROLLER/DRIVER AND KEY SCAN CIRCUIT FOR FPC (FRONT PANEL CONTROLLER)

The μ PD17202AGF-011 is a CMOS microcontroller for the FPC (Front Panel Controller) of a car stereo system.

This microcontroller is housed in a 64-pin QFP and is provided with an LCD controller/driver and key scan circuit, enabling the reduction of the amount of wiring between the front panel of the car stereo system and the master microcontroller.

FEATURES

- LCD controller/driver : Can display up to 75 segments.
1/3 duty, 1/3 bias, frame frequency: 325.5 Hz
- Key scan circuit : Can read up to 30 (5 × 6) keys.
- LED output : 1 pin
- 3-wire serial communication mode : CLOCK, DATA, and LOAD pins
- Supply voltage : $V_{DD} = 4.5$ to 5.5 V
- System clock : $f_x = 8$ MHz

ORDERING INFORMATION

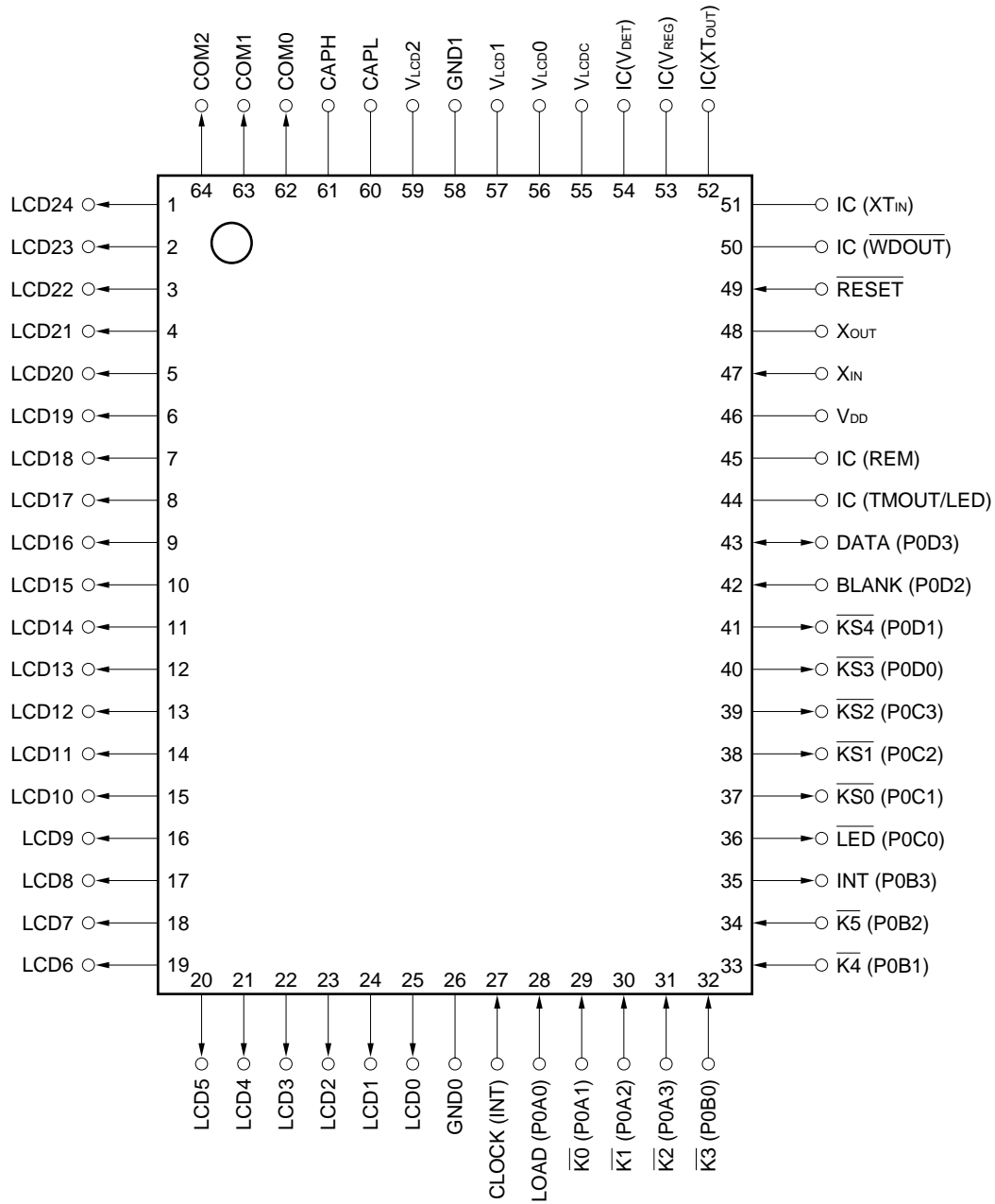
Part Number	Package
μ PD17202AGF-011-3BE	64-pin plastic QFP (14 × 20 mm, 1.0-mm pitch)

The information in this document is subject to change without notice.

PIN CONFIGURATION (Top View)

64-pin plastic QFP (14 × 20 mm, 1.0-mm pitch)

μPD17202AGF-011-3BE



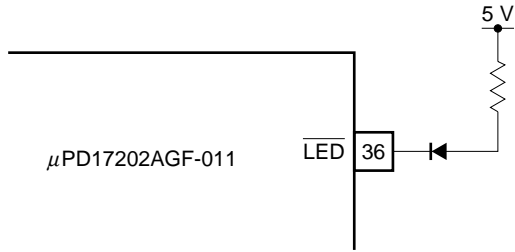
- Remarks**
1. IC: Internally Connected
 2. (): Pin names of μPD17202AGF-xxx-3BE

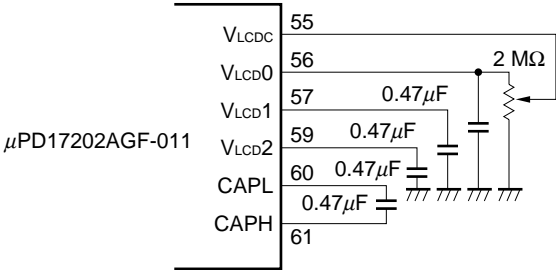
CONTENTS

1. PIN FUNCTION	4
1.1 Pin Function List	4
2. CONFIGURATION OF KEY MATRIX	6
2.1 Layout of Key Matrix	6
2.2 Connection of Key Matrix	7
3. KEY SCAN	8
3.1 Key Scan Function	8
3.2 Data Configuration	9
4. LCD DISPLAY FUNCTION	10
4.1 Configuration of LCD Data Segment and LCD Panel Display Data	10
4.2 LCD Display Data Configuration	12
5. SERIAL DATA COMMUNICATION	13
5.1 Serial Data Input	14
5.2 Serial Data Output	15
5.3 Timing Chart of Serial Data Communication	16
6. APPLICATION CIRCUIT EXAMPLE	19
7. ELECTRICAL SPECIFICATIONS (preliminary)	20
8. PACKAGE DRAWINGS	25

1. PIN FUNCTION

1.1 Pin Function List

Pin No.	Symbol	Pin Name	Description	I/O Format
1 to 25	LCD24 to LCD0	LCD segment signal output	These pins output segment signals to an LCD panel. They are used to control the display on the LCD panel by forming a matrix with COM0 through COM2 (pins 62 through 64).	CMOS push-pull output
26 58	GND0 GND1	Ground	Ground pin	–
27	CLOCK	Clock input	Serial communication clock input. Data is input to or output from the DATA pin (pin 43) at the rising edge of the clock input to this pin.	Input
28	LOAD	Load input	Serial communication load input. Commands are executed and the output status is cleared in synchronization with the rising edge of this pin. While this pin is high, clock input is invalid. This pin is connected to an internal pull-up resistor.	Input
29 to 34	$\overline{K0}$ to $\overline{K5}$	Key return signal input	These pins input key return signals from a key matrix. These pins are connected to an internal pull-down resistor.	Input
35	INT	Key scan end signal output	This pin outputs a key scan end signal to the master microcontroller. It goes high when key scanning has ended after execution of a key data output command. This pin goes low at the rising edge of the LOAD pin (pin 28) after data has been output. While this pin is low, key data cannot be correctly output. The initial value of this pin is the low level. Be sure to connect a pull-down resistor to this pin.	CMOS push-pull output
36	\overline{LED}	LED output	This pin is connected to an LED that is used to check connection with the master microcontroller. When this pin is low, the LED lights. This pin is output depending on the LED data value of display data input (data A, refer to 4.2 LCD Display Data Configuration). This pin is floated in the initial status. 	N-ch open-drain output
37 to 41	$\overline{KS0}$ to $\overline{KS4}$	Key source output	These pins output key source signals to a key matrix.	N-ch open-drain output

Pin No.	Symbol	Pin Name	Description	I/O Format						
42	BLANK	Blank input	By connecting an external controller to this pin, the display of the LCD panel can be turned ON/OFF. <table border="1" style="margin: 10px auto;"> <tr> <td>Input level</td> <td>LCD display status</td> </tr> <tr> <td>Low</td> <td>Lights</td> </tr> <tr> <td>High</td> <td>Extinguishes</td> </tr> </table> <p>To control this pin, connect it to an external controller via pull-up resistor; otherwise, connect it to GND via pull-down resistor.</p>	Input level	LCD display status	Low	Lights	High	Extinguishes	Input
Input level	LCD display status									
Low	Lights									
High	Extinguishes									
43	DATA	Serial data I/O	Serial communication data I/O pin. This pin outputs data from the rising edge of the LOAD pin (pin 28) after a key data output signal has been received, to the next rising edge; otherwise, it inputs data.	N-ch open-drain output						
44, 45 50, 51 52, 53 54	IC	Internally connected	Connect nothing to these pins. Connect these pins to GND via pull-down resistor. Short-circuit pins 52 and 53. Connect this pin to V _{DD} .	–						
46	V _{DD}	Power supply	This is a common power supply pin (V _{DD} = 2.2 to 5.5 V).	–						
47	X _{IN}	Crystal resonator	These pins are used to connect a crystal resonator. Connect an 8-MHz ceramic oscillator or crystal resonator to these pins. The accuracy of the watch is influenced only by the oscillation frequency of the oscillator.	Input						
48	X _{OUT}			–						
49	$\overline{\text{RESET}}$	Reset input	Reset input.	Input						
55	V _{LCDC}	LCD reference voltage adjustment	This pin is used to adjust the reference voltage for the LCD driver. Example 	–						
56 57 59	V _{Lcd0} V _{Lcd1} V _{Lcd2}	LCD regulator	LCD regulator pin.	–						
60 61	CAPL CAPH	LCD boosting capacitor	These pins connect a capacitor used to boost the LCD driver voltage. Connect a capacitor of 0.47 μF between the CAPL and CAPH pins.	–						
62 to 64	COM0 to COM2	Common signal output of LCD controller/driver	These pins output the common signals of the LCD controller/driver.	CMOS 3-state output						

2. CONFIGURATION OF KEY MATRIX

2.1 Layout of Key Matrix

The μPD17202AGF-011 can be used to configure a key matrix of up to 30 keys, KEY0 through KEY29, by using the $\overline{KS0}$ through $\overline{KS4}$ pins (key source pins) and $\overline{K0}$ through $\overline{K5}$ pins (key return pins).

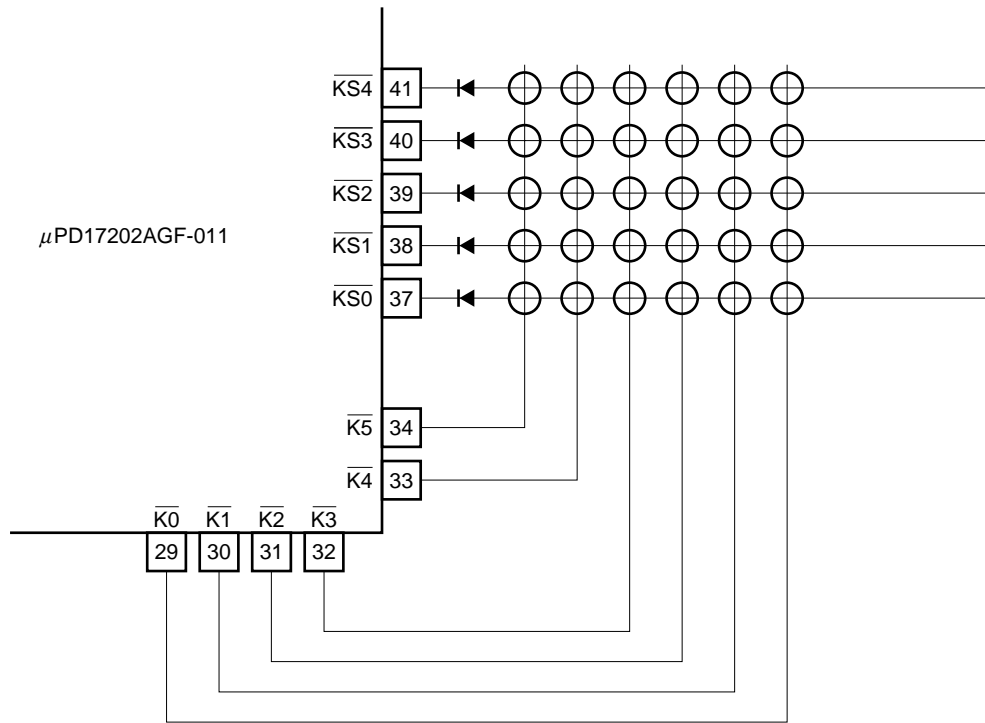
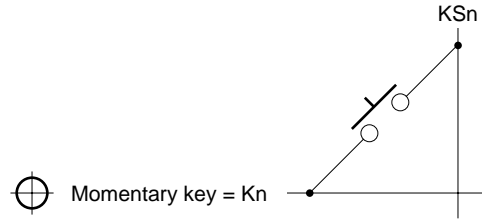
Keys KEY0 through KEY29 are allocated as shown below. The details of each key can be set arbitrarily.

Input Pin (Pin No.) Output Pin (Pin No.)	$\overline{K0}$ (29)	$\overline{K1}$ (30)	$\overline{K2}$ (31)	$\overline{K3}$ (32)	$\overline{K4}$ (33)	$\overline{K5}$ (34)
$\overline{KS0}$ (37)	KEY0	KEY1	KEY2	KEY3	KEY4	KEY5
$\overline{KS1}$ (38)	KEY6	KEY7	KEY8	KEY9	KEY10	KEY11
$\overline{KS2}$ (39)	KEY12	KEY13	KEY14	KEY15	KEY16	KEY17
$\overline{KS3}$ (40)	KEY18	KEY19	KEY20	KEY21	KEY22	KEY23
$\overline{KS4}$ (41)	KEY24	KEY25	KEY26	KEY27	KEY28	KEY29

Remark Numbers in brackets () are pin numbers.

2.2 Connection of Key Matrix

An example of connection of the key matrix is shown below.



3. KEY SCAN

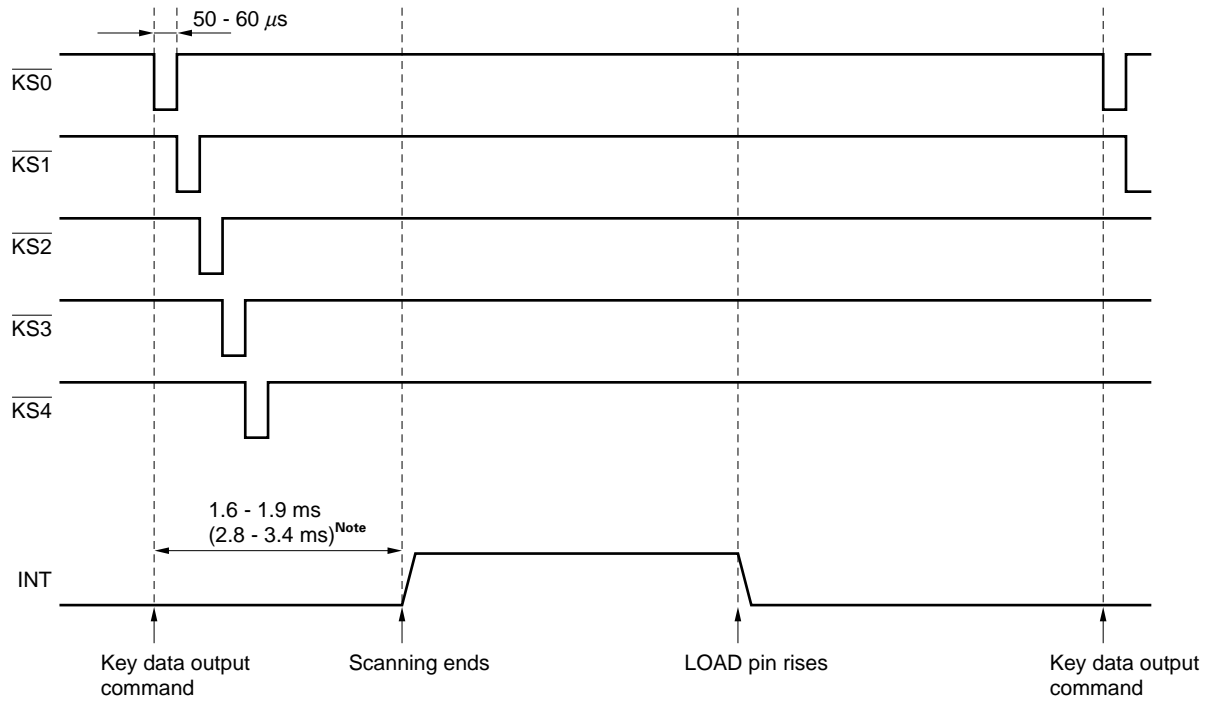
3.1 Key Scan Function

Key scanning is started when a key data output command is executed.

The INT pin (pin 35) goes high when key scanning has ended.

The INT pin goes low when the LOAD pin (pin 28) goes high.

Figure 3-1. Timing Chart of Key Scanning



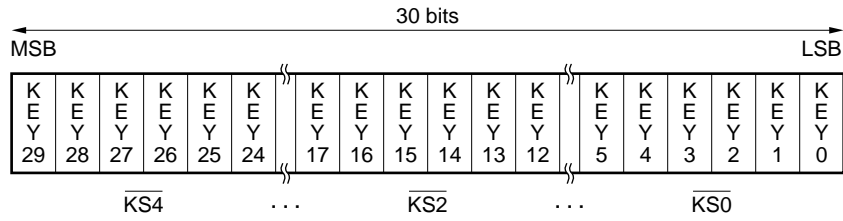
Note The value in brackets () is when “display data input + key data output” is executed.

3.2 Data Configuration

The data output by the key data output command consists of 30 bits.

The contents of the output data are as shown below.

Figure 3-2. Configuration of Output Data (Key Data Output)



The status of the output data can be identified by the data of each bit as shown below.

Data	Status
0	Key off
1	Key on

4. LCD DISPLAY FUNCTION

4.1 Configuration of LCD Data Segment and LCD Panel Display Data

The segments consisting of LCD0 through LCD24 pins and COM0 through COM2 pins correspond to the LCD panel display data as shown in the table below.

Table 4-1 Configuration of LCD Segment and Table 4-2 Display Data Table correspond to each other. Any LCD display setting can be performed based on these tables.

Table 4-1. Configuration of LCD Segment

Segment Pin (Pin No.) \ Common Pin (Pin No.)	COM0 (62)	COM1 (63)	COM2 (64)
LCD0 (25)	B4	A0	B0
LCD1 (24)	A3	A1	B1
LCD2 (23)	A4	A2	B2
LCD3 (22)	B9	A5	B5
LCD4 (21)	A8	A6	B6
LCD5 (20)	A9	A7	B7
LCD6 (19)	B14	A10	B10
LCD7 (18)	A13	A11	B11
LCD8 (17)	A14	A12	B12
LCD9 (16)	B19	A15	B15
LCD10 (15)	A18	A16	B16
LCD11 (14)	A19	A17	B17
LCD12 (13)	B24	A20	B20
LCD13 (12)	A23	A21	B21
LCD14 (11)	A24	A22	B22
LCD15 (10)	B33	B38	B28
LCD16 (9)	B29	A25	B25
LCD17 (8)	A28	A26	B26
LCD18 (7)	A29	A27	B27
LCD19 (6)	B34	A30	B30
LCD20 (5)	A33	A31	B31
LCD21 (4)	A34	A32	B32
LCD22 (3)	B39	A35	B35
LCD23 (2)	A38	A36	B36
LCD24 (1)	A39	A37	B37

Table 4-2. Display Data Table

Segment Data Name	A	B
D40	A0	B0
D39	A1	B1
D38	A2	B2
D37	A3	B3 Note
D36	A4	B4
D35	A5	B5
D34	A6	B6
D33	A7	B7
D32	A8	B8 Note
D31	A9	B9
D30	A10	B10
D29	A11	B11
D28	A12	B12
D27	A13	B13 Note
D26	A14	B14
D25	A15	B15
D24	A16	B16
D23	A17	B17
D22	A18	B18 Note
D21	A19	B19
D20	A20	B20
D19	A21	B21
D18	A22	B22
D17	A23	B23 Note
D16	A24	B24
D15	A25	B25
D14	A26	B26
D13	A27	B27
D12	A28	B28
D11	A29	B29
D10	A30	B30

Segment Data Name	A	B
D9	A31	B31
D8	A32	B32
D7	A33	B33
D6	A34	B34
D5	A35	B35
D4	A36	B36
D3	A37	B37
D2	A38	B38
D1	A39	B39

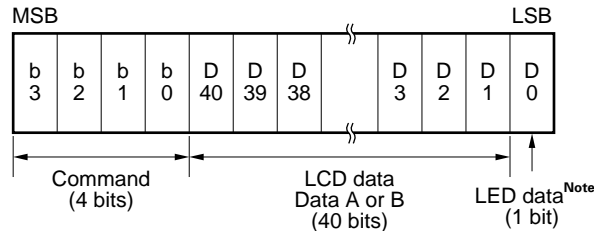
Note The data of segments B3, B8, B13, B18, and B23 are invalid. Do not input anything for these data.

4.2 LCD Display Data Configuration

LCD display data is divided into two parts, A and B, for transmission (refer to **Table 4-2 Display Data Table**).

The data consists of a command (4 bits), LCD data (40 bits), and LED data (1 bit), or a total of 45 bits (only when data A is transmitted). Data B consists of 44 bits, excluding LED data (1 bit)).

Figure 4-1. Configuration of Input Data for LCD Display



Note D0 (= LED data) is necessary only when data A is transmitted.

The status of the data can be identified by the data of each bit (0 or 1) as shown below.

Data	Status
0	Extinguishers
1	Lights

The last 4 bits of the input data is read at the rising edge of the LOAD pin (pin 28) as a command, and the previous data is displayed on the LCD when display data input is identified.

When a low level is input to the BLANK pin (pin 42), the LCD display is turned ON (the LED also lights when data A is transmitted). When a high level is input to the BLANK pin, the LCD display is turned OFF (refer to **5.2 Serial Data Output**).

Setting of the BLANK pin does not affect any operations other than the LCD display.

The LCD display data is extinguished in the initial status (even if the BLANK pin is low level).

The configuration of the LCD display data commands (4 bits of MSB) is shown below.

Table 4-3. Serial Data I/O Commands

Command				Operation
b3	b2	b1	b0	
0	0	1	0	Inputs display data (data A)
0	0	1	1	Inputs display data (data B)
0	1	0	×	Outputs key data
0	1	1	0	Inputs display data (A) + outputs key data
0	1	1	1	Inputs display data (B) + outputs key data
1	1	0	×	Outputs key data
1	1	1	×	Outputs key data
Others				Setting prohibited

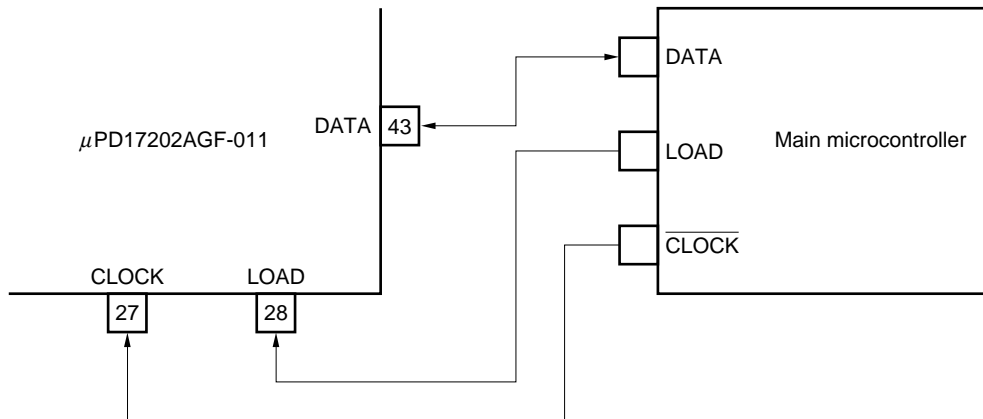
×: Undefined

5. SERIAL DATA COMMUNICATION

The μPD17202AGF-011 inputs or outputs data from or to the main microcontroller through 3-wire serial communication, using the CLOCK (pin 27), DATA (pin 43), and LOAD (pin 28) pins.

Figure 5-1 shows connection between the μPD17202AGF-011 and main microcontroller.

Figure 5-1. Connection between μPD17202AGF-011 and Main Microcontroller



5.1 Serial Data Input

The serial data is input in synchronization with the rising of the CLOCK pin (pin 27) in the input status (the initial status is "input").

The last 4 bits read at the rising edge of the LOAD pin (pin 28) are identified and processed as a command. Figure 5-2 shows the timing chart of serial data input.

Table 5-1 lists the serial data I/O commands.

Figure 5-2. Timing Chart of Serial Data Input

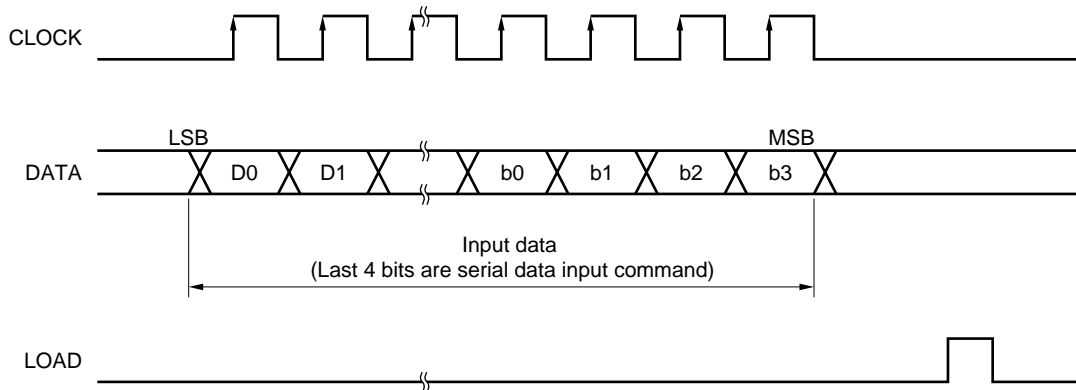


Table 5-1. Serial Data I/O Commands

Command				Operation
b3	b2	b1	b0	
0	0	1	0	Inputs display data (data A)
0	0	1	1	Inputs display data (data B)
0	1	0	×	Outputs key data
0	1	1	0	Inputs display data (A) + outputs key data
0	1	1	1	Inputs display data (B) + outputs key data
1	1	0	×	Outputs key data
1	1	1	×	Outputs key data
Others				Setting prohibited

×: Undefined

Remarks 1. For the data configuration of display data input, refer to **4. LCD DISPLAY FUNCTION**.

2. For the data configuration of key data output, refer to **3. KEY SCAN**.

3. Execute display data input before key data output.

4. If a pulse is input to the LOAD pin without display data input, the device does not operate.

5. The device does not operate when data other than an I/O command is input.

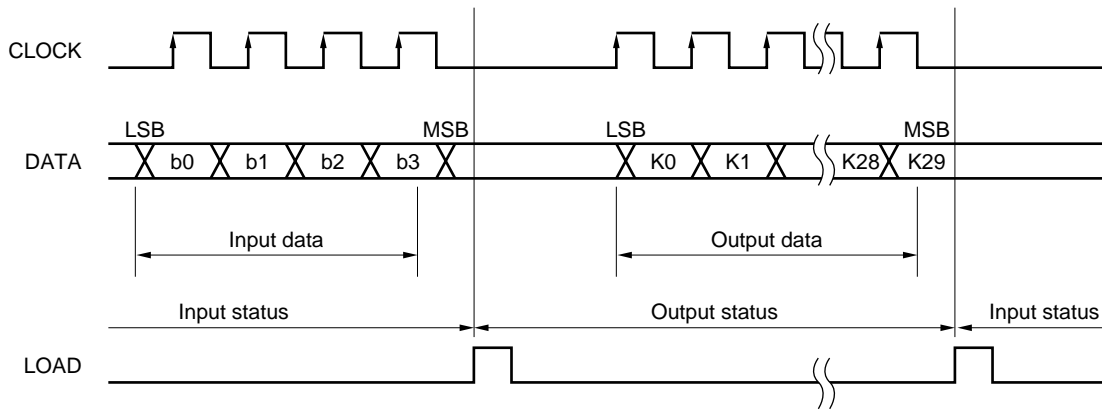
5.2 Serial Data Output

Serial data is output in synchronization with the rising of the CLOCK pin (pin 27) in the output status (the output status is established only when the key data output command is executed).

Serial data is output in the following procedure. Figure 5-3 shows the timing chart of serial data output.

- <1> Input a key data output command.
- <2> Input a pulse to the LOAD pin (pin 28) (the output status is established when this pin goes high).
- <3> Input the clock (data is output in synchronization with the rising of the clock).
- <4> Input a pulse to the LOAD pin (the input status is established when this pin goes high).

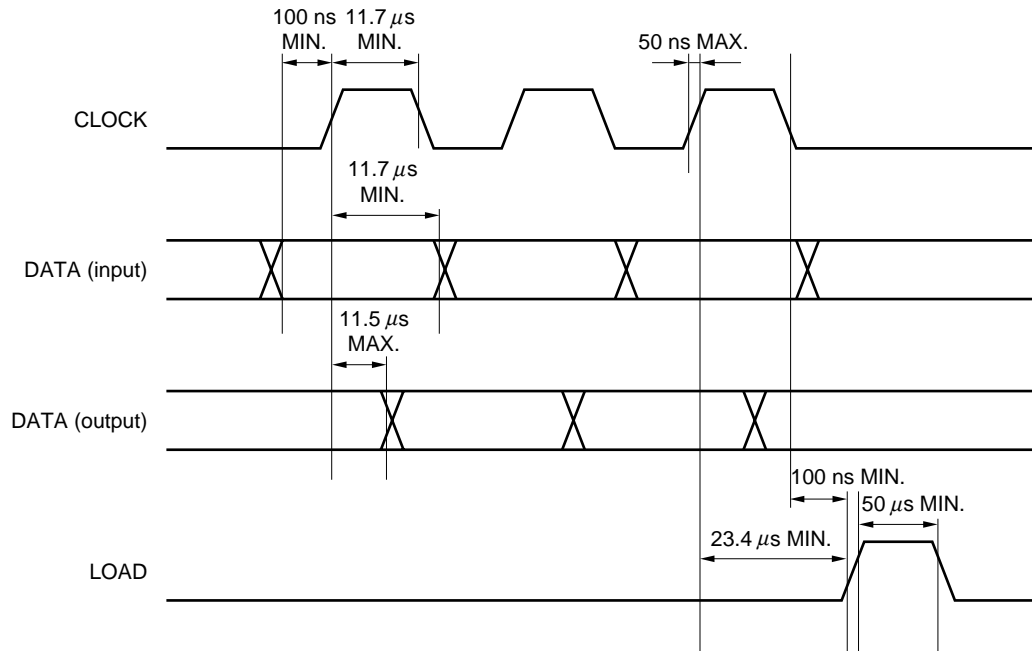
Figure 5-3. Timing Chart of Serial Data Output



5.3 Timing Chart of Serial Data Communication

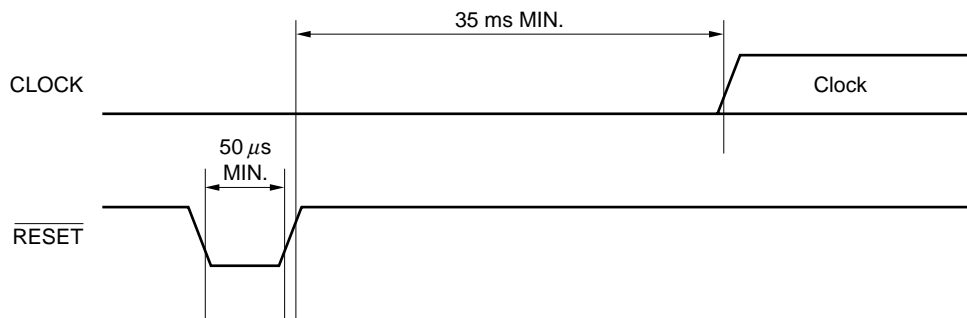
The I/O timing charts of the respective pins during serial data communication are shown below.

(1) Serial data I/O

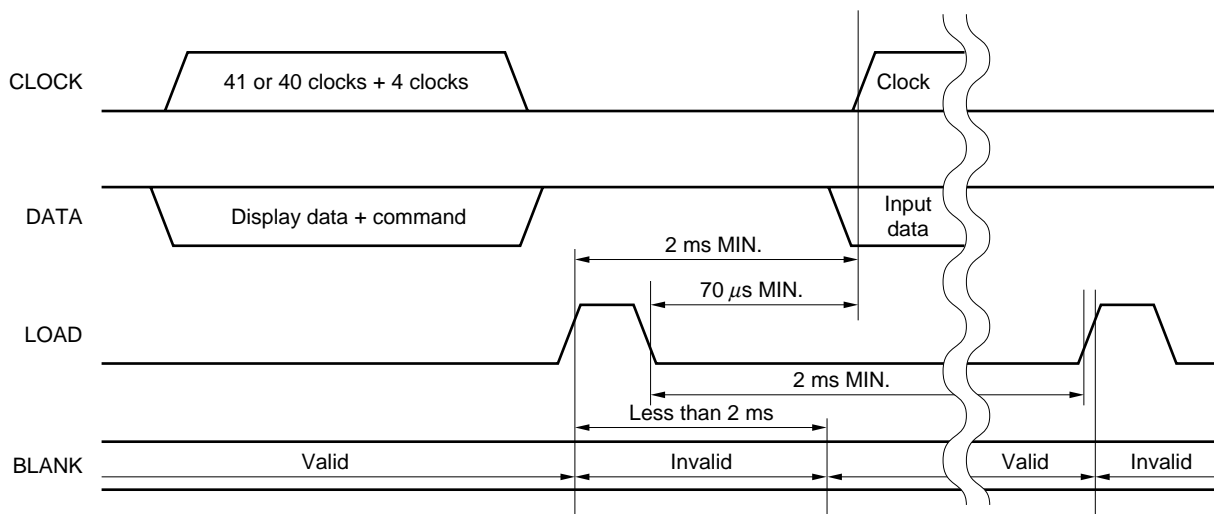


Remark Maximum clock frequency: 43 kHz

(2) On reset execution

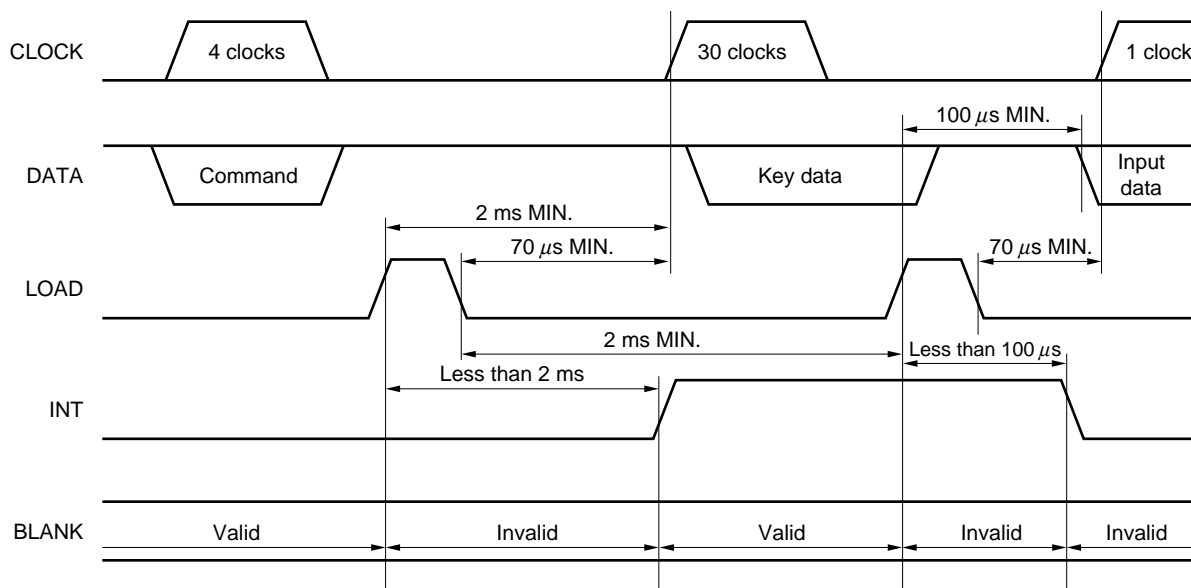


(3) On execution of display data input



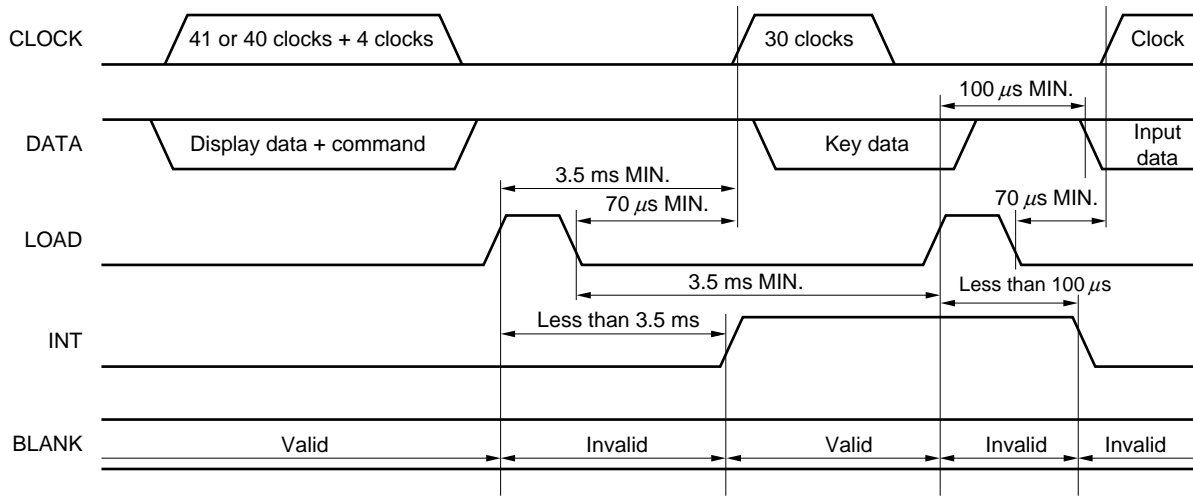
BLANK pin {
 Valid : The device operates within 50 μs after the value of the BLANK pin has been changed. If the clock is input to the CLOCK pin, however, the higher the clock frequency, the slower the operation (example: operates within 1 ms at 43 kHz).
 Invalid : The device does not operate even if the value of the BLANK pin has been changed. If the value of the pin is changed during this period, the device operates after the pin value has become valid.

(4) On execution of key data output



BLANK pin {
 Valid : The device operates within 50 μs after the value of the BLANK pin has been changed. If the clock is input to the CLOCK pin, however, the higher the clock frequency, the slower the operation (example: operates within 1 ms at 43 kHz).
 Invalid : The device does not operate even if the value of the BLANK pin has been changed. If the value of the pin is changed during this period, the device operates after the pin value has become valid.

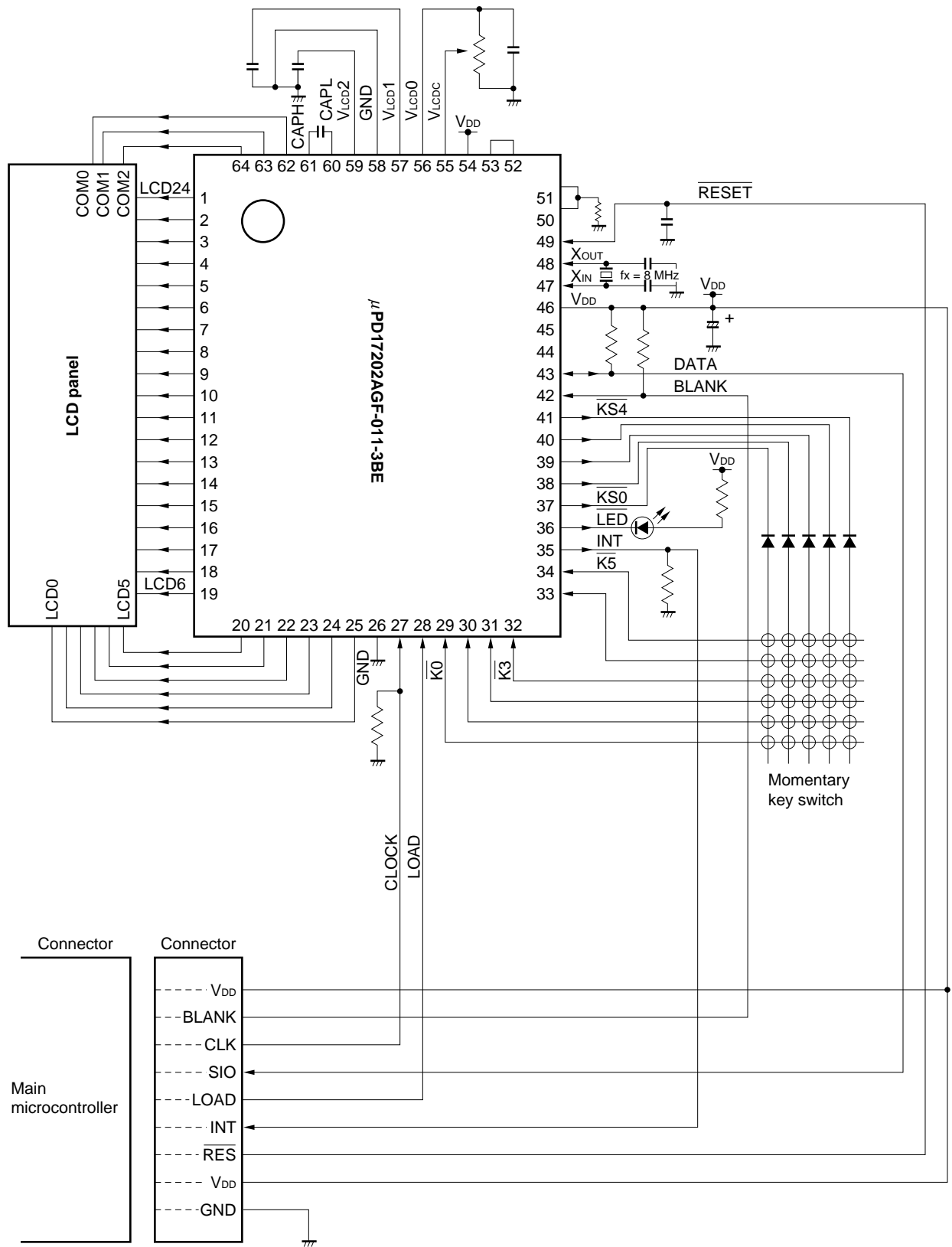
(5) On execution of display data input + key data



BLANK pin {

- Valid : The device operates within 50 μs after the value of the BLANK pin has been changed. If the clock is input to the CLOCK pin, however, the higher the clock frequency, the slower the operation (example: operates within 1 ms at 43 kHz).
- Invalid : The device does not operate even if the value of the BLANK pin has been changed. If the value of the pin is changed during this period, the device operates after the pin value has become valid.

6. APPLICATION CIRCUIT EXAMPLE



7. ELECTRICAL SPECIFICATIONS (preliminary)

Absolute Maximum Ratings (T_A = 25 °C)

Parameter	Symbol	Condition		Rating	Unit
Supply voltage	V _{DD}			-0.3 to +7.0	V
Input voltage	V _I			-0.3 to V _{DD} + 0.3	V
Output voltage	V _O			-0.3 to V _{DD} + 0.3	V
High-level output current	I _{OH}	REM pin	Peak	-30	mA
			r.m.s value	-20	mA
		1 pin (other than REM pin)	Peak	-7.5	mA
			r.m.s value	-5.0	mA
		All pins (except REM pin)	Peak	-22.5	mA
			r.m.s value	-15.0	mA
Low-level output current	I _{OL}	1 pin	Peak	7.5	mA
			r.m.s value	5.0	mA
		All pins	Peak	30	mA
			r.m.s value	20	mA
Operating temperature	T _A			-20 to +75	°C
Storage temperature	T _{stg}			-40 to +125	°C

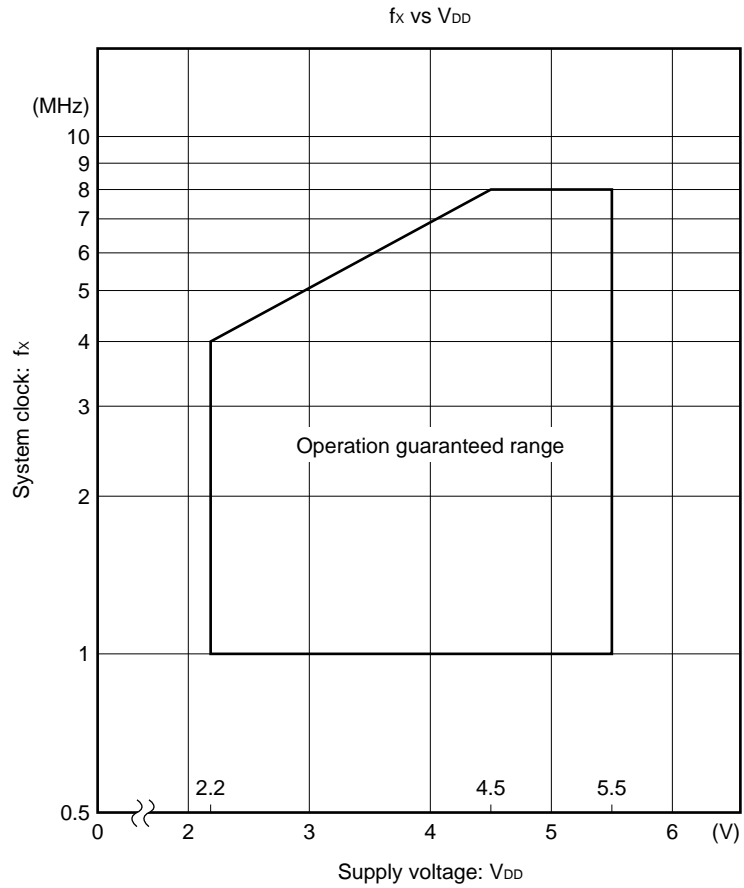
Caution If the rated value of even one of the above parameters is exceeded even momentarily, the quality of the product may be affected. The absolute maximum ratings, therefore, define the values exceeding which the product may be physically damaged. Be sure to use the product without ever exceeding these values.

Capacitance (T_A = 25 °C, V_{DD} = 0 V)

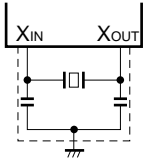
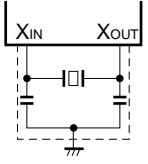
Parameter	Symbol	Condition	MIN.	TYP.	MAX.	Unit
Input capacitance	C _{IN}	INT and RESET pins			10	pF
	C _{PIN}	Other than INT and RESET pins			10	pF

Recommended Operation Range (T_A = -20 to +75 °C)

Parameter	Symbol	Condition	MIN.	TYP.	MAX.	Unit
Supply voltage	V _{DD0}	Where system clock is f _x = 4 MHz	2.2	3.0	5.5	V
	V _{DD1}	Where system clock is f _x = 8 MHz	4.5	5.0	5.5	V
System clock oscillation frequency	f _x		1.0	4.0	8.0	MHz



System Clock Oscillation Circuit Characteristics (T_A = -20 to +75 °C, V_{DD} = 2.2 to 5.5 V)

Oscillator	Recommended Constants	Parameter	Condition	MIN.	TYP.	MAX.	Unit
Ceramic resonator Note 1		Oscillation frequency (f _x) Note 2		1.0	4.0	8.0	MHz
		Oscillation stabilization time Note 3	After V _{DD} has reached MIN. value of oscillation voltage range			4	ms
Crystal resonator Note 1		Oscillation frequency (f _x) Note 2		1.0	4.0	8.0	MHz
		Oscillation stabilization time Note 3	V _{DD} = 4.5 to 6.0 V			10	ms
						30	ms

- Notes 1.** Use of the ceramic resonator and crystal resonator shown on the next page is recommended.
- 2.** The oscillation frequency only indicates the characteristics of the oscillation circuit. For the instruction execution time, refer to **Recommended Operation Range**.
 - 3.** The oscillation stabilization time is the time required for oscillation to stabilize after V_{DD} application or release of the STOP mode.

Caution When using the system clock oscillation circuit, wire the portion indicated by the dotted lines in the above figures to avoid adverse influence from wiring capacitance.

- Keep the wiring length as short as possible.
- Do not cross the wiring with any other signal lines. Do not route the wiring in the vicinity of a line through which a high alternating current flows.
- Always keep the ground point of the capacitor of the oscillation circuit at the same potential as GND. Do not ground the capacitor to a ground pattern through which a high current flows.
- Do not extract signals from the oscillation circuit.

Recommended Oscillator

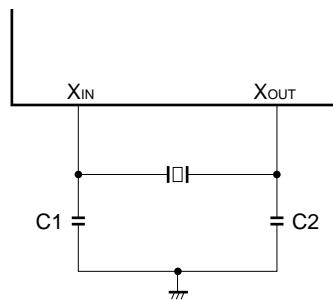
Ceramic resonator

Manufacturer	Part Number	External Capacitance (pF)		Oscillation Voltage Range (V)		Remark
		C1	C2	MIN.	MAX.	
Murata Mfg. Co., Ltd.	CSA3.58MG	30	30	2.0	6.0	
	CSA4.00MG	30	30	2.0	6.0	
	CSA4.19MG	30	30	2.0	6.0	
	CST3.58MGW	Unnecessary	Unnecessary	2.0	6.0	Capacitor-contained type
	CST4.00MGW			2.0	6.0	
	CST4.19MGW			2.0	6.0	
Kyocera Corp.	KBR3.58MS	33	33	2.0	6.0	
	KBR4.0MS	33	33	2.0	6.0	
	KRB4.19MS	33	33	2.0	6.0	
Toko Ceramic Co. Ltd.	CRHF4.00	18	18	2.0	6.0	
Daishinku Corp.	PRS0400BCSAN	39	33	2.0	6.0	

Crystal resonator

Manufacturer	Frequency (MHz)	Retainer	External Capacitance (pF)		Oscillation Voltage Range (V)		Remark
			C1	C2	MIN.	MAX.	
Kinseki Corp.	4.0	HC-49U-S	22	22	2.0	6.0	

External Circuit Example



DC Characteristics (V_{DD} = 3 V, T_A = -20 to +75 °C, f_x = 4 MHz)

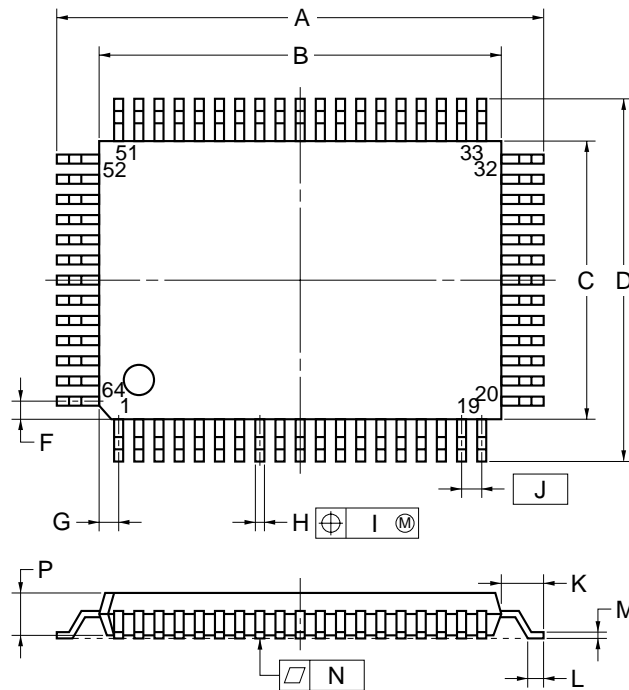
Parameter	Symbol	Condition	MIN.	TYP.	MAX.	Unit	
Low-voltage detection voltage	V _{DET}	R = 2.2 MΩ	1.3	2.0	2.9	V	
High-level input voltage	V _{IH1}	RESET, INT pins	0.8 V _{DD}		V _{DD}	V	
	V _{IH2}	Other than RESET, INT pins	0.7 V _{DD}		V _{DD}	V	
Low-level input voltage	V _{IL1}	RESET, INT pins	0		0.2 V _{DD}	V	
	V _{IL2}	Other than RESET, INT pins	0		0.3 V _{DD}	V	
High-level input current	I _{IH1}	INT pin			0.2	μA	
	I _{IH2}	RESET pin			0.2	μA	
	I _{IH3}	P0A through P0D pins			0.2	μA	
Low-level input current	I _{IL1}	INT pin			-0.2	μA	
	I _{IL2}	RESET pin			-0.2	μA	
	I _{IL3}		V _{IL} = 0 V w/o pull-up resistor	-30	-60	-120	μA
	I _{IL4}	P0A, P0B pins	V _{IL} = 0 V w/o pull-up resistor			-0.2	μA
	I _{IL5}		V _{IL} = 0 V w/pull-up resistor	-8	-15	-30	μA
	I _{IL6}	P0C, P0D pins	V _{IL} = 0 V			-0.2	μA
High-level output current	I _{OH1}	P0A, P0B pins	V _{OH} = V _{DD} - 0.3 V	-0.6	-2.0	-4.0	mA
	I _{OH2}	REM pin	V _{OH} = V _{DD} - 2.0 V	-7.0	-15.0	-25.0	mA
	I _{OH3}	LED pin	V _{OH} = V _{DD} - 0.3 V	-0.3	-1.0	-2.0	mA
Low-level output current	I _{OL1}	P0A, P0B pins	V _{OL} = 0.3 V	0.5	1.5	2.5	mA
	I _{OL2}	P0C, P0D pins	V _{OL} = 0.3 V	0.5	1.5	2.5	mA
	I _{OL3}	REM pin	V _{OL} = 0.3 V	0.5	1.5	2.5	mA
	I _{OL4}	LED, WDOU _T pins	V _{OL} = 0.3 V	0.5	1.5	2.5	mA
Supply current	I _{DD1}	Operating mode		0.6	1.5	mA	
	I _{DD2}	HALT mode		0.5	1.5	mA	
V _{LCDC} voltage	V _{LCDC}	V _{DD} = 3 V, T _A = 25 °C, R ₁ = R ₂ = 1 MΩ	0.5	0.6	0.7	V	
LCD output voltage variable range	V _{LCD0}	External variable resistor (0 to 2.2 MΩ)	0.8		1.8	V	
Doubler output voltage	V _{LCD1}	C1 to C4 = 0.47 μF	1.9 V _{LCD0}	2 V _{LCD0}		V	
Tripler output voltage	V _{LCD2}	C1 to C4 = 0.47 μF	2.85 V _{LCD0}	3 V _{LCD0}		V	
Common output current	I _{COM}	V _{DS} = 0.2 V	30			μA	
Segment output current	I _{LCD}	V _{DS} = 0.2 V	5			μA	

AC Characteristics (T_A = -20 to +75 °C, V_{DD} = 3 V)

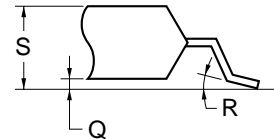
Parameter	Symbol	Condition	MIN.	TYP.	MAX.	Unit
INT high-, low-level widths	t _{IOH}		50			μs
	t _{IOL}		50			μs
RESET low-level width	t _{RSL}		50			μs

8. PACKAGE DRAWINGS

64 PIN PLASTIC QFP (14×20)



detail of lead end



NOTE

Each lead centerline is located within 0.20 mm (0.008 inch) of its true position (T.P.) at maximum material condition.

ITEM	MILLIMETERS	INCHES
A	23.2±0.2	0.913 ^{+0.009} _{-0.008}
B	20.0±0.2	0.787 ^{+0.009} _{-0.008}
C	14.0±0.2	0.551 ^{+0.009} _{-0.008}
D	17.2±0.2	0.677±0.008
F	1.0	0.039
G	1.0	0.039
H	0.40±0.10	0.016 ^{+0.004} _{-0.005}
I	0.20	0.008
J	1.0 (T.P.)	0.039 (T.P.)
K	1.6±0.2	0.063±0.008
L	0.8±0.2	0.031 ^{+0.009} _{-0.008}
M	0.15 ^{+0.10} _{-0.05}	0.006 ^{+0.004} _{-0.003}
N	0.10	0.004
P	2.7	0.106
Q	0.125±0.075	0.005±0.003
R	5°±5°	5°±5°
S	3.0 MAX.	0.119 MAX.

S64GF-100-3B8, 3BE-3

NOTES FOR CMOS DEVICES

① PRECAUTION AGAINST ESD FOR SEMICONDUCTORS

Note: Strong electric field, when exposed to a MOS device, can cause destruction of the gate oxide and ultimately degrade the device operation. Steps must be taken to stop generation of static electricity as much as possible, and quickly dissipate it once, when it has occurred. Environmental control must be adequate. When it is dry, humidifier should be used. It is recommended to avoid using insulators that easily build static electricity. Semiconductor devices must be stored and transported in an anti-static container, static shielding bag or conductive material. All test and measurement tools including work bench and floor should be grounded. The operator should be grounded using wrist strap. Semiconductor devices must not be touched with bare hands. Similar precautions need to be taken for PW boards with semiconductor devices on it.

② HANDLING OF UNUSED INPUT PINS FOR CMOS

Note: No connection for CMOS device inputs can be cause of malfunction. If no connection is provided to the input pins, it is possible that an internal input level may be generated due to noise, etc., hence causing malfunction. CMOS device behave differently than Bipolar or NMOS devices. Input levels of CMOS devices must be fixed high or low by using a pull-up or pull-down circuitry. Each unused pin should be connected to V_{DD} or GND with a resistor, if it is considered to have a possibility of being an output pin. All handling related to the unused pins must be judged device by device and related specifications governing the devices.

③ STATUS BEFORE INITIALIZATION OF MOS DEVICES

Note: Power-on does not necessarily define initial status of MOS device. Production process of MOS does not define the initial operation status of the device. Immediately after the power source is turned ON, the devices with reset function have not yet been initialized. Hence, power-on does not guarantee out-pin levels, I/O settings or contents of registers. Device is not initialized until the reset signal is received. Reset operation must be executed immediately after power-on for devices having reset function.

Regional Information

Some information contained in this document may vary from country to country. Before using any NEC product in your application, please contact the NEC office in your country to obtain a list of authorized representatives and distributors. They will verify:

- Device availability
- Ordering information
- Product release schedule
- Availability of related technical literature
- Development environment specifications (for example, specifications for third-party tools and components, host computers, power plugs, AC supply voltages, and so forth)
- Network requirements

In addition, trademarks, registered trademarks, export restrictions, and other legal issues may also vary from country to country.

NEC Electronics Inc. (U.S.)

Santa Clara, California
Tel: 800-366-9782
Fax: 800-729-9288

NEC Electronics (Germany) GmbH

Duesseldorf, Germany
Tel: 0211-65 03 02
Fax: 0211-65 03 490

NEC Electronics (UK) Ltd.

Milton Keynes, UK
Tel: 01908-691-133
Fax: 01908-670-290

NEC Electronics Italiana s.r.l.

Milano, Italy
Tel: 02-66 75 41
Fax: 02-66 75 42 99

NEC Electronics (Germany) GmbH

Benelux Office
Eindhoven, The Netherlands
Tel: 040-2445845
Fax: 040-2444580

NEC Electronics (France) S.A.

Velizy-Villacoublay, France
Tel: 01-30-67 58 00
Fax: 01-30-67 58 99

NEC Electronics (France) S.A.

Spain Office
Madrid, Spain
Tel: 01-504-2787
Fax: 01-504-2860

NEC Electronics (Germany) GmbH

Scandinavia Office
Taeby, Sweden
Tel: 08-63 80 820
Fax: 08-63 80 388

NEC Electronics Hong Kong Ltd.

Hong Kong
Tel: 2886-9318
Fax: 2886-9022/9044

NEC Electronics Hong Kong Ltd.

Seoul Branch
Seoul, Korea
Tel: 02-528-0303
Fax: 02-528-4411

NEC Electronics Singapore Pte. Ltd.

United Square, Singapore 1130
Tel: 253-8311
Fax: 250-3583

NEC Electronics Taiwan Ltd.

Taipei, Taiwan
Tel: 02-719-2377
Fax: 02-719-5951

NEC do Brasil S.A.

Sao Paulo-SP, Brasil
Tel: 011-889-1680
Fax: 011-889-1689

The application circuits and their parameters are for reference only and are not intended for use in actual design-ins.

No part of this document may be copied or reproduced in any form or by any means without the prior written consent of NEC Corporation. NEC Corporation assumes no responsibility for any errors which may appear in this document.

NEC Corporation does not assume any liability for infringement of patents, copyrights or other intellectual property rights of third parties by or arising from use of a device described herein or any other liability arising from use of such device. No license, either express, implied or otherwise, is granted under any patents, copyrights or other intellectual property rights of NEC Corporation or others.

While NEC Corporation has been making continuous effort to enhance the reliability of its semiconductor devices, the possibility of defects cannot be eliminated entirely. To minimize risks of damage or injury to persons or property arising from a defect in an NEC semiconductor device, customers must incorporate sufficient safety measures in its design, such as redundancy, fire-containment, and anti-failure features.

NEC devices are classified into the following three quality grades:

"Standard", "Special", and "Specific". The Specific quality grade applies only to devices developed based on a customer designated "quality assurance program" for a specific application. The recommended applications of a device depend on its quality grade, as indicated below. Customers must check the quality grade of each device before using it in a particular application.

Standard: Computers, office equipment, communications equipment, test and measurement equipment, audio and visual equipment, home electronic appliances, machine tools, personal electronic equipment and industrial robots

Special: Transportation equipment (automobiles, trains, ships, etc.), traffic control systems, anti-disaster systems, anti-crime systems, safety equipment and medical equipment (not specifically designed for life support)

Specific: Aircrafts, aerospace equipment, submersible repeaters, nuclear reactor control systems, life support systems or medical equipment for life support, etc.

The quality grade of NEC devices is "Standard" unless otherwise specified in NEC's Data Sheets or Data Books. If customers intend to use NEC devices for applications other than those specified for Standard quality grade, they should contact an NEC sales representative in advance.

Anti-radioactive design is not implemented in this product.