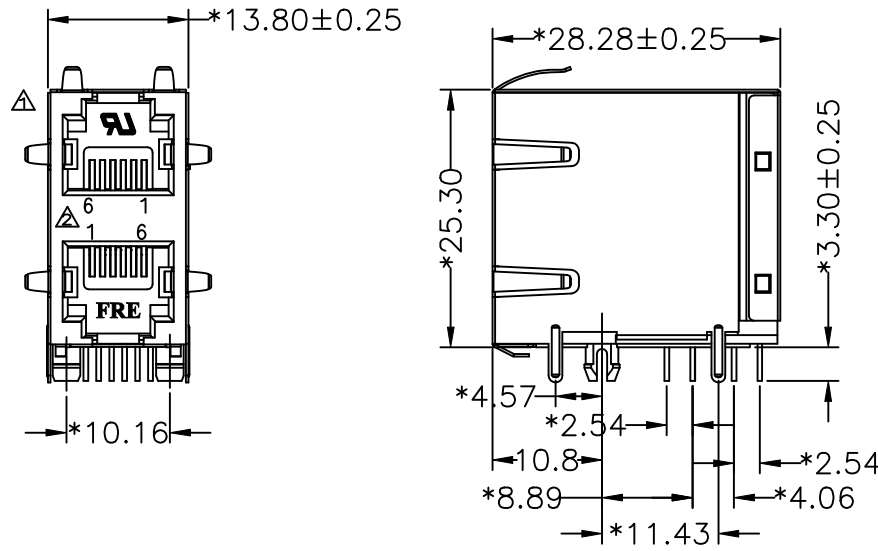


A1RFRD10

REVISION RECORD				
REV	ECO	DESCRIPTION	DRFT	CHKD
△		ADD UR LOGO	Garvey 10/17/08	
△		MODIFY DRAWING	Qianpu 4/28/04	
△		ADD PART NO	LIXIN 12/02/04	



NOTES:

ELECTRICAL:

- VOLTAGE RATING : 125 VAC RMS.
- CURRENT RATING : 1.5 AMP.
- CONTACT RESISTANCE : 50 MILLIOHMS MAX.
- INSULATION RESISTANCE: 1000 MEGOHMS MIN @ 500 VDC.
- DIELECTRIC STRENGTH 1000 VAC RMS 60Hz, 1MIN.

MECHANICAL:

- HOUSING MATERIAL : GLASS FILLED POLYESTER UL94V-0.
- CONTACT MATERIAL : PHOSPHOR BRONZE Ø0.46mm.
- PLATING : GOLD PLATING OVER NICKEL.
- OPERATING LIFE : 750 CYCLES MIN.
- PCB RETENTION PRE-SOLDER 1 LB MIN.
- PCB RETENTION POST-SOLDER: 10 LBS MIN.

ENVIRONMENTAL:

- STORAGE: -40°C TO +85°C.
- OPERATION: 0°C TO 70°C.

MATES WITH MODULAR PLUG CONFORMING TO FCC PART 68, SUBPART F.

PART NUMBER: E596X-XX012X

Contact:

- 6-6C
- 4-4C
- 2-2C △

Gold Thickness:

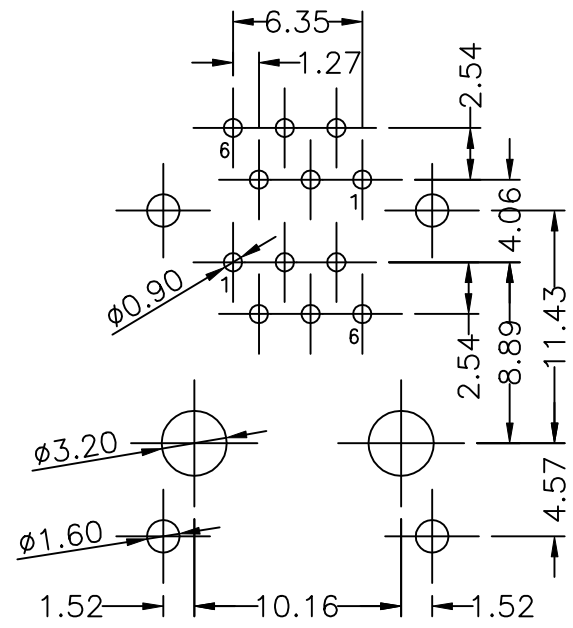
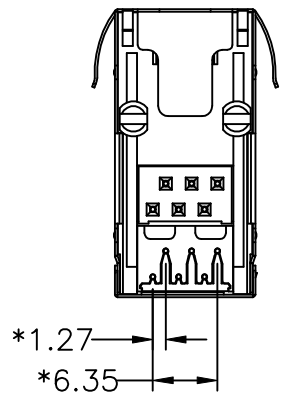
- 1- 3u" 2- 6u" 3-15u"
- 4-30u" 5-50u" 6-Pd 20u"

Shield:

- D-Nickel Plated With Tinned Grounding Peg
- 7-Nickel

Tab:

- 1-W/O Tabs
- 5-W/ Top & Side & Bottom Tabs



DETACHED LISTS	← MM (INCH) →	DFTO Garvey	DATE 29-Jul-00	FULL RISE ELECTRONIC CO., LTD		
	TOLERANCES EXCEPT AS NOTED	CHKD QIANPU	DATE 2004/12/6			
	.0 ±0.20	MFO	DATE	TITLE RJ11 STAKED PCB JACK		
	.00 ±0.15	APPVLLUSHENG	DATE 2004/12/6			
.000 ±0.075	MATERIAL :			DRAWING NO. GE593A68	SIZE A3	REV 3
ANGLES ±	QTY :			/PART NO. SEE NOTE		
THIRD ANGLE PROJECTION	FINISH :			DO NOT SCALE DRAWING	SHEET X	OF Y
	SCALE : 2:1					