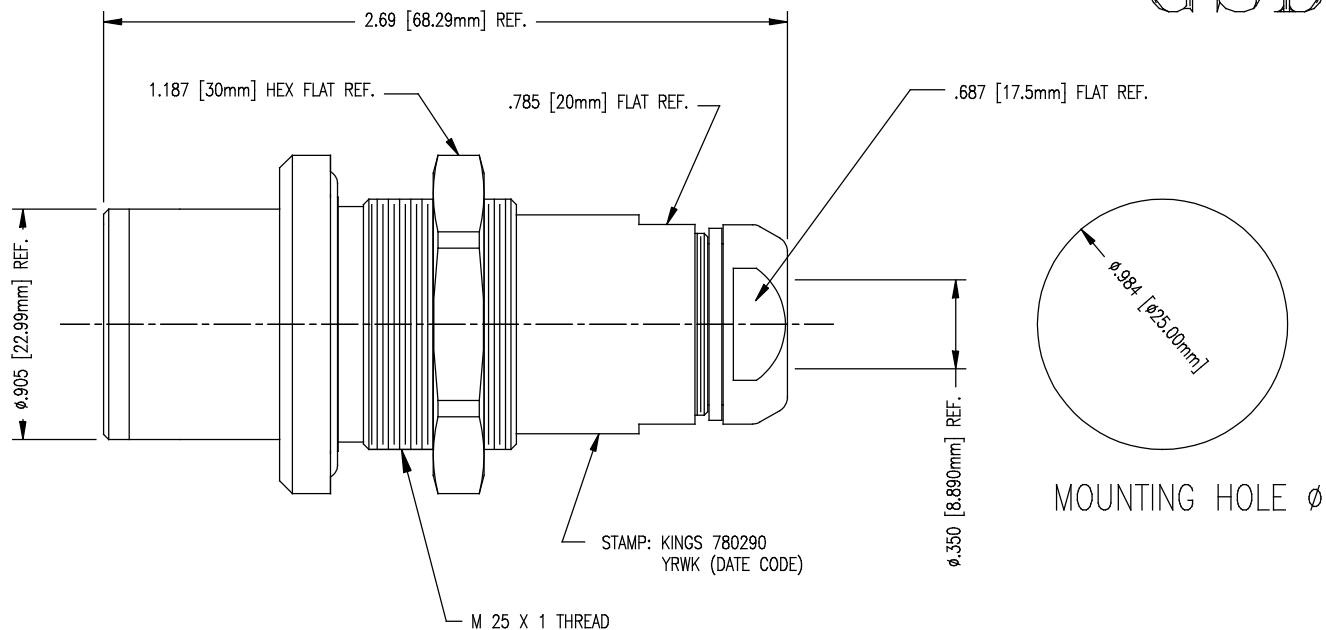


DASH NO.	M CODE	MADE FROM
----------	--------	-----------

GSD



780290

REVISIONS	
ISSUE	CHANGES
0	ER 39851 HVN 03/21/07

780290 SD

NOTES:

- FOR USE WITH 90 CABLE GROUP (BELDEN 7783A).
- INTERFACE PER KINGS STANDARD ES-52, FIGURE 2.
- FOR CABLING INSTRUCTIONS SEE 3-651 (CONVENTIONAL METHOD) OR 3-711 (PRE-PREPARED DIMENSIONS).
- USE CRIMPING TOOL KTH-1000 W/ DIE KTH-2267 (CONTACT AND INNER SLEEVE), KTH-2260 (OUTER SLEEVE).

5. MATERIALS:

INSULATORS: TEFLON, ASTM-D-4894  
 GASKETS: SILICONE RUBBER, A-A-59588  
 SPACER: DELRIN  
 K-GRIP SLEEVES: COM BRONZE, ASTM-B140  
 OUTER GROUND CONTACT & ENTRY BODY: BER. COPPER, ASTM-B196  
 CENTER CONTACT: BER. COPPER, ASTM-B196  
 ALL OTHER METAL PARTS: BRASS, ASTM-B16

6. FINISHES:

CENTER AND OUTER CONTACT: HARD GOLD PLATE, PER ASTM-B488  
 ALL OTHER METAL PARTS: KINGS TARNISH RESISTANT NICKEL FINISH (TR-5)

7. ELECTRICAL CHARACTERISTICS:

NOMINAL IMPEDANCE: 75 OHMS  
 FREQUENCY RANGE: DC-3.0 GHz  
 VOLTAGE BREAKDOWN: CENTER CONDUCTOR/INNER GROUND: 1500 VRMS  
 INNER GROUND/OUTER GROUND: 500 VRMS

SCALE 2 : 1

APPROX SURFACE AREA

USED ON

REF:

ITL, JACK, BKHD

DRAWN HVN DATE 03/21/07

DESIGN HVN DATE 03/20/06

APPR. DATE

**KINGS**  
 ELECTRONICS CO., INC.  
 ROCK HILL, SOUTH CAROLINA 29730

GSD

780290