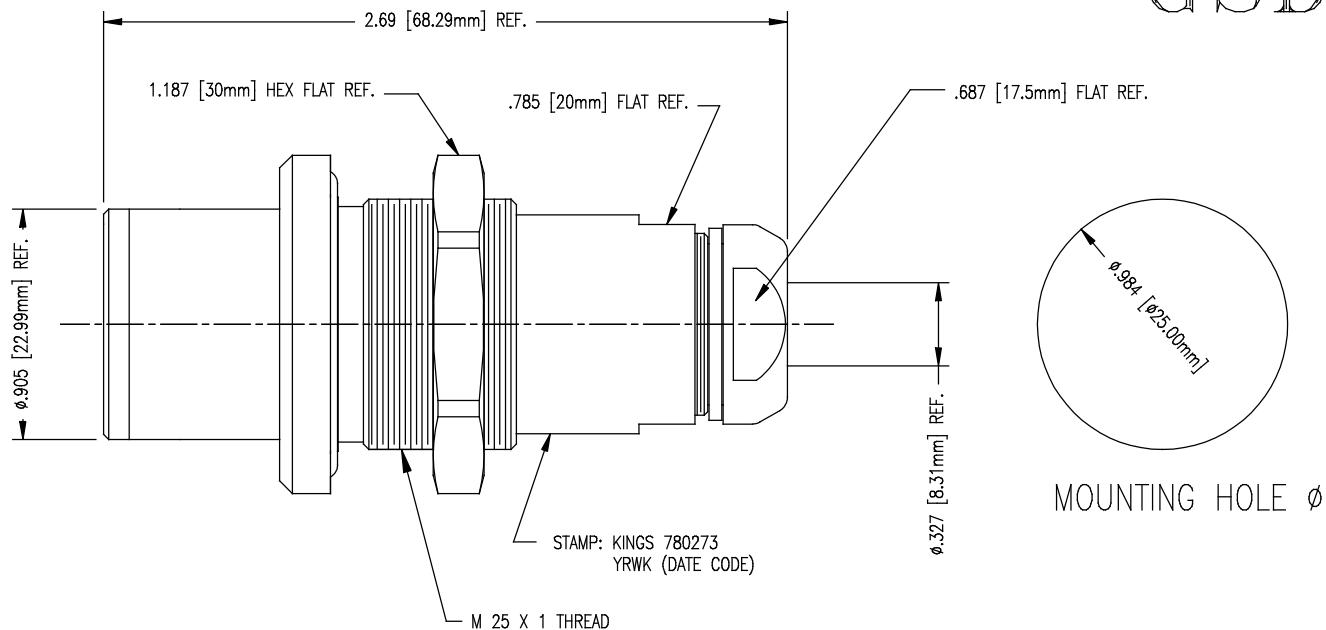


DASH NO.	M CODE	MADE FROM
----------	--------	-----------

GSD



780273

REVISIONS	
ISSUE	CHANGES
0	ER 39851 HVN 03/20/07

- NOTES:
- FOR USE WITH 73 CABLE GROUP (BELDEN 9267, 1856A, 1857A).
  - INTERFACE PER KINGS STANDARD ES-52, FIGURE 2, AS APPLICABLE.
  - FOR CABLING INSTRUCTIONS SEE 3-651 (CONVENTIONAL METHOD) OR 3-711 (PRE-PREPARED DIMENSIONS).
  - USE CRIMPING TOOL KTH-8000 AND DIE KTH-8001.
  - MATERIALS:
    - INSULATORS: TEFLON, ASTM-D-4894
    - GASKETS: SILICONE RUBBER, A-A-59588; O-RINGS: SYNTHETIC RUBBER PER AMS-P-25732
    - SPACER: DELRIN 150
    - K-GRIP SLEEVES: COM BRONZE, ASTM-B140
    - OUTER GROUND CONTACT & ENTRY BODY: BER. COPPER, ASTM-B196
    - CENTER CONTACT: BER. COPPER, ASTM-B196
    - ALL OTHER METAL PARTS: BRASS, ASTM-B16
  - FINISHES:
    - CENTER AND OUTER CONTACT: HARD GOLD PLATE, PER ASTM-B488
    - ALL OTHER METAL PARTS: KINGS TARNISH RESISTANT NICKEL FINISH (TR-5)
  - ELECTRICAL CHARACTERISTICS:
    - NOMINAL IMPEDANCE: 75 OHMS
    - FREQUENCY RANGE: DC-3.0 GHz
    - VOLTAGE BREAKDOWN: CENTER CONDUCTOR/INNER GROUND: 1500 VRMS
    - INNER GROUND/OUTER GROUND: 500 VRMS

780273 SD

SCALE 2 : 1	
APPROX SURFACE AREA	
USED ON	
REF:	
ITL, JACK, BKHD	
DRAWN HVN	DATE 03/21/07
DESIGN HVN	DATE 03/20/06
APPR.	DATE

**KINGS**  
ELECTRONICS CO., INC.  
ROCK HILL, SOUTH CAROLINA 29730

GSD

780273