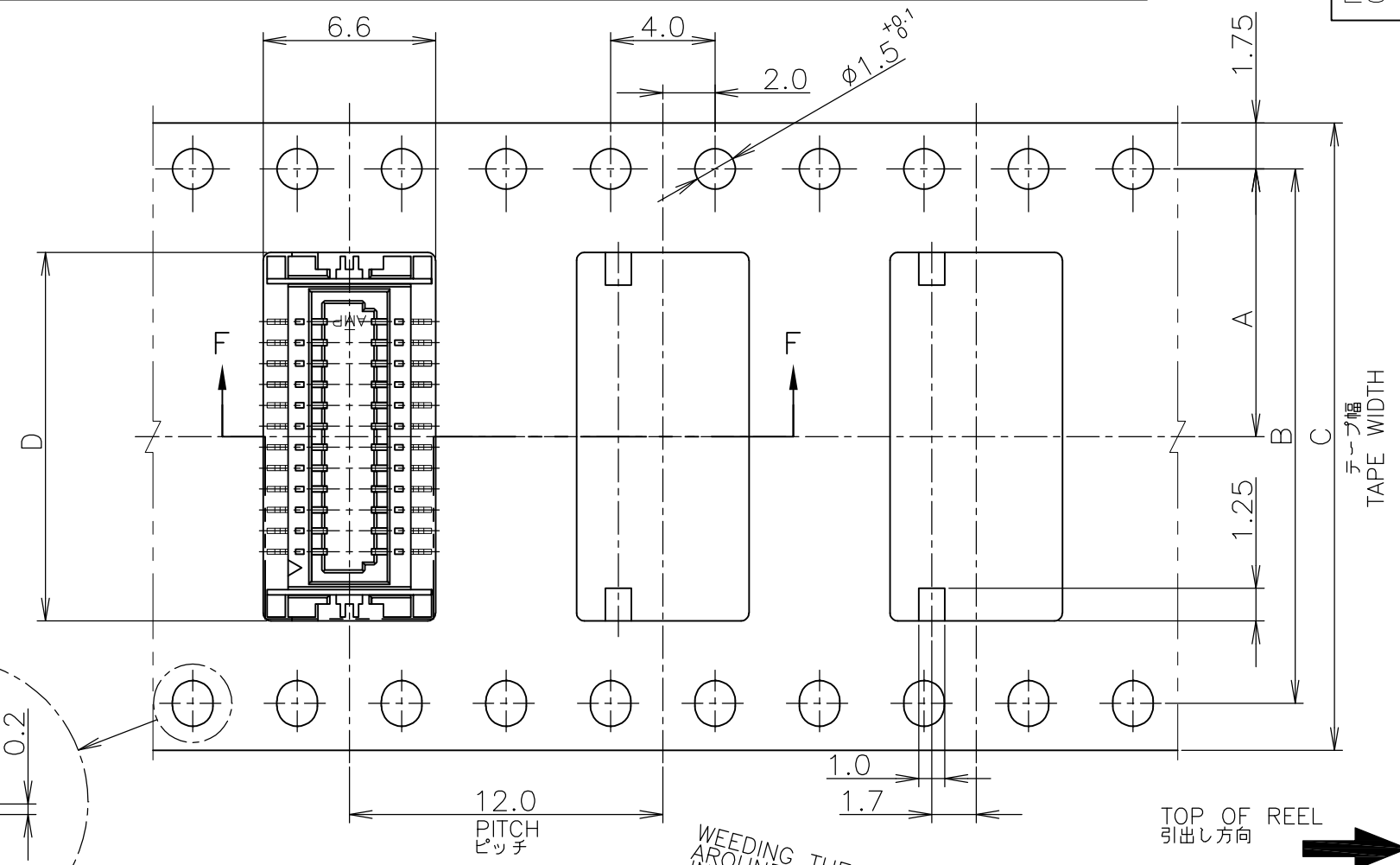
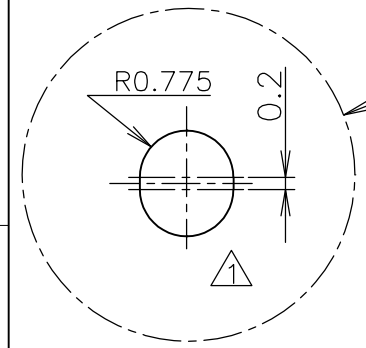
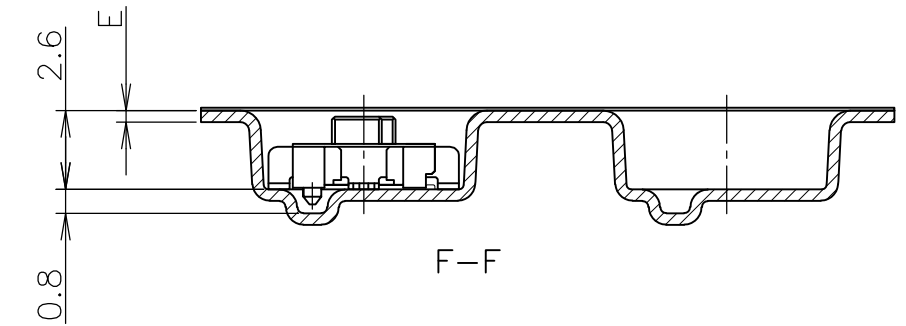


THIS DRAWING IS UNPUBLISHED. RELEASED FOR PUBLICATION FEB, 1994.  
 © COPYRIGHT 1994 By - ALL RIGHTS RESERVED.

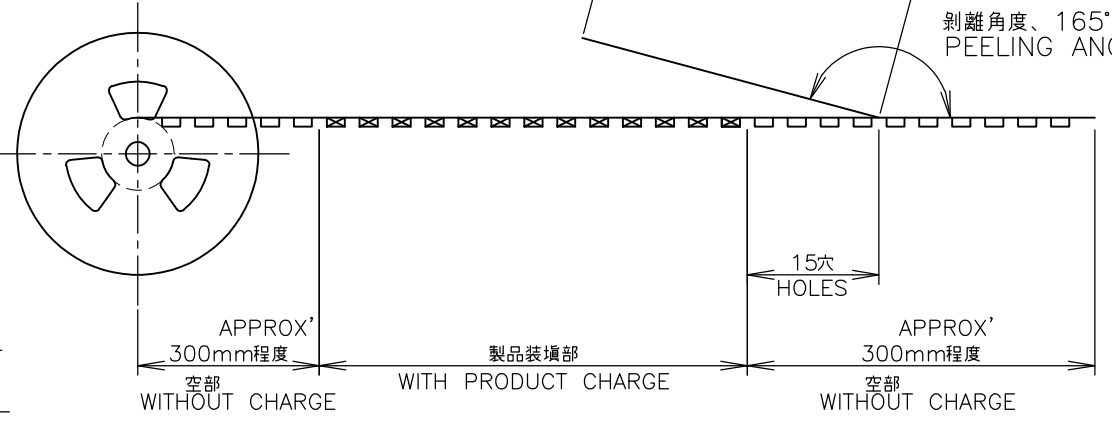
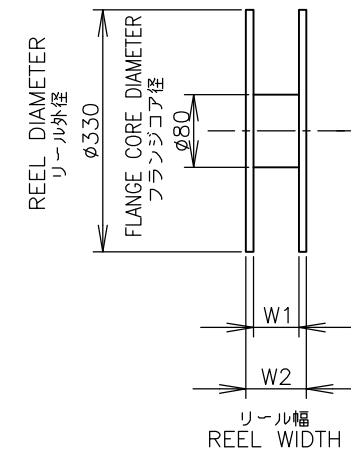
LOC	DIST	REVISIONS 変更			
P	LTR	DESCRIPTION	DATE	DWN	APVD
ES					
	H	REVISED ECR-07-019218	14AUG07	T.T	T.F
	H2	REVISED PER ECR-11-005694	27OCT11	B.L	S.Y



△ 指示穴は40極品以上に適用。  
 △ THESE HOLES ARE APPLIED TO 40 POS OR MORE.



WEEDING THE COVER TAPE  
 AROUND THE OUTER PERIPHERY  
 IN A TURN.  
 カバーテープ  
 リーダー部  
 外周一巻  
 剥離角度、165°~180°  
 PEELING ANGLE.



② OBSOLETE	49.5	45.5	0.38	24.5	44	40.4	20.2	1500	50	5-179396-0
	37.5	33.5	↑	20.5	32	28.4	14.2	↑	40	4-↑-0
	↑	↑		16.5	↑	---	↑		30	3-↑-0
	29.5	25.5		14.1	24	---	11.5		24	2-↑-4
	↑	↑		10.9	↑	---	↑		16	1-↑-6
	21.5	17.5	0.38	10.1	↑	---			14	1-↑-4
	22.4	16.4	0.4	9.3	16	---	7.5	1500	12	1-179396-2
	W2	W1	E	D	C	B	A	数量 (ヶ) QTY/REEL	極数 POS	リール巻コネクタ型番 TAPING P/N

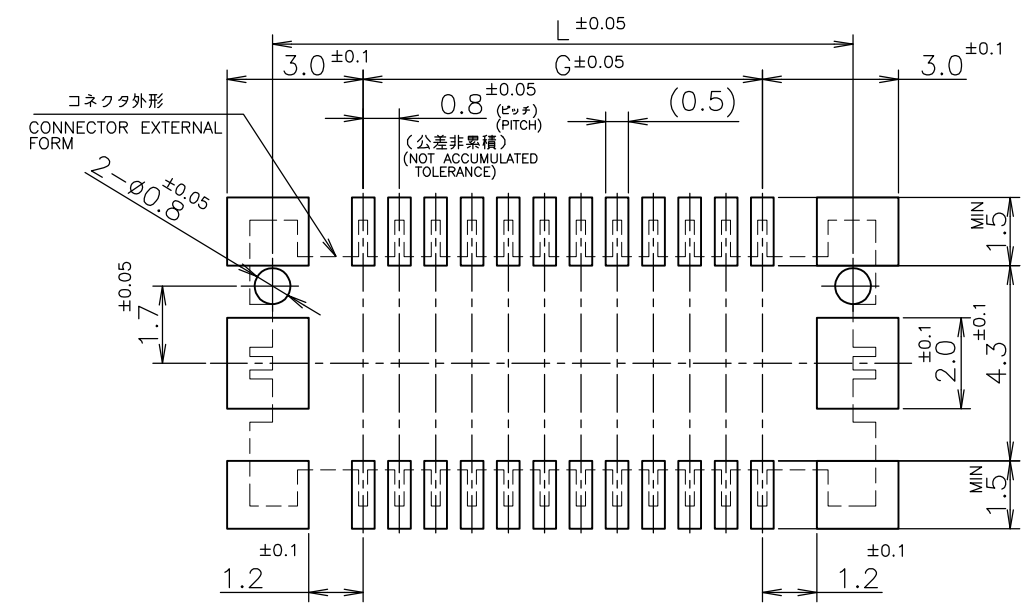
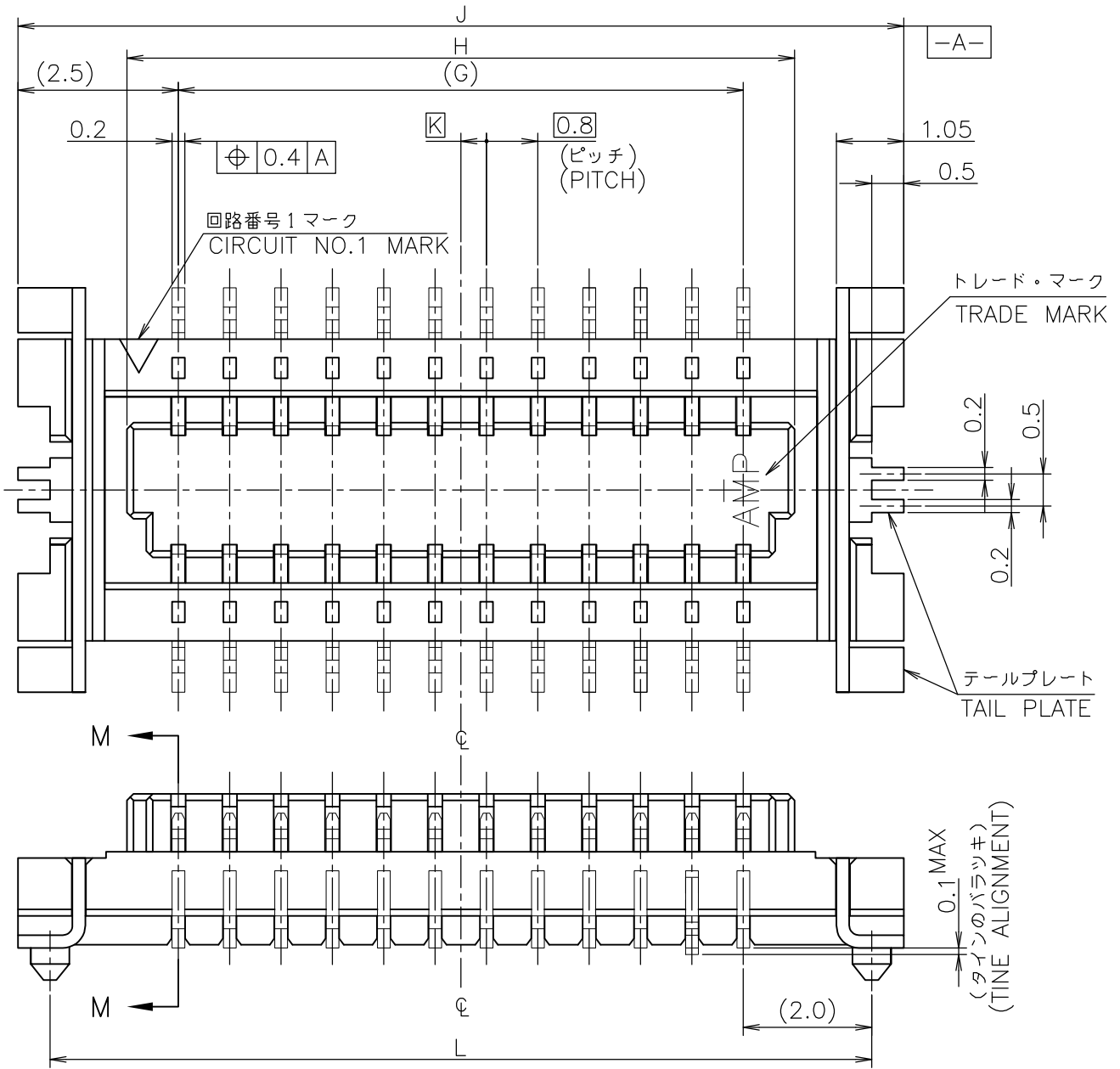
INSTRUCTION SHEET  
 取扱説明書  
 411-5654

THIS DRAWING IS A CONTROLLED DOCUMENT.

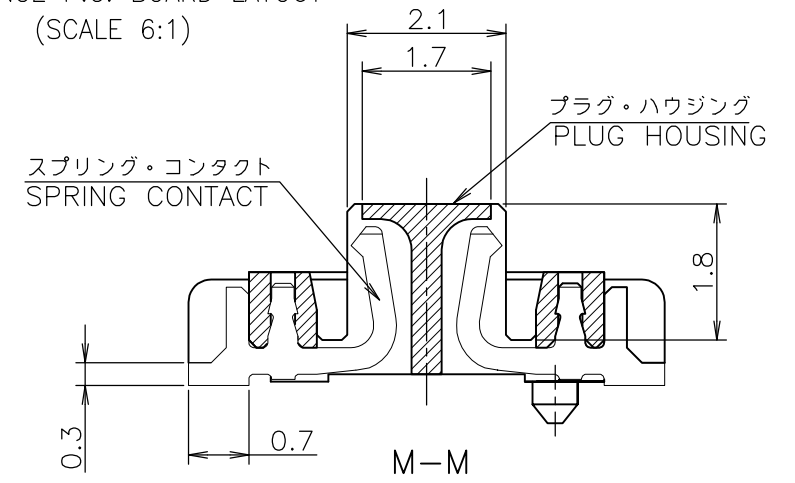
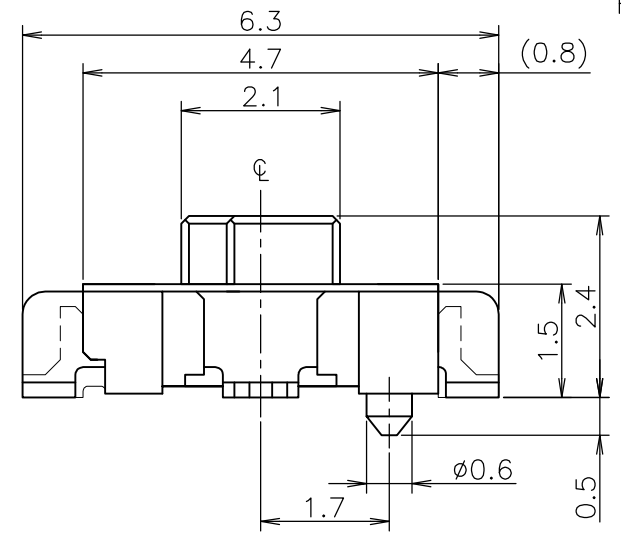
DIMENSIONS: 単位: 耗 mm	TOLERANCES UNLESS OTHERWISE SPECIFIED: 一般公差	DWN K.ASAKAWA 24FEB94	TE Connectivity
	0 PLC ± 0.2 1 PLC ± 0.2 2 PLC ± 0.2 3 PLC ± 0.2 4 PLC ± 0.2 ANGLES ± 3°	CHK S.KUBOUCHI 24FEB94 APVD S.KUBOUCHI 01NOV96	
MATERIAL 材料	FINISH 仕上	PRODUCT SPEC 製品規格 108-5424 APPLICATION SPEC 取付適用規格	SIZE A3
CUSTOMER DRAWING		WEIGHT	CAGE CODE 00779 DRAWING NO 番号 C-179396 RESTRICTED TO 番号 -
		SCALE 尺度 4:1	SHEET 1 OF 2 REV H2

THIS DRAWING IS UNPUBLISHED. RELEASED FOR PUBLICATION FEB, 1994.  
 © COPYRIGHT 1994 By - ALL RIGHTS RESERVED.

LOC	DIST	REVISIONS			DATE	DWN	APVD
		P	LTR	DESCRIPTION			
ES		-		SEE SHEET 1	-	-	-



参考基板加工寸法 (t=0.6 MIN.)  
 REFERENCE P.C. BOARD LAYOUT  
 (SCALE 6:1)



0.410	23.2	---	24.2	20.75	19.2	50
-0.340	19.2	0.4	20.2	16.75	15.2	40
0.270	15.2	---	16.2	12.75	11.2	30
0.228	12.8	0.4	13.8	10.35	8.8	24
0.172	9.6	0.4	10.6	7.15	5.6	16
0.158	8.8	---	9.8	6.35	4.8	14
0.144	8.0	0.4	9.0	5.55	4.0	12
重量 (g) WEIGHT	L	K	J	H	G	極数 POS

△ 材料: ハウジング - 6T NYLON (高耐熱性ナイロン)  
 ガラス30%, 色: ベージュ  
 コンタクト - 燐青銅・錫めっき (0.2t)  
 テールプレート - 燐青銅・錫めっき (0.2t)

△ MATERIAL: HOUSING - 6T NYLON (HIGH HEAT-RESISTED NYLON), GF30%,  
 COLOR: BEIGE.  
 CONTACT - POST-TIN/PHOS-BROZ(0.2t)  
 TAIL PLATE - POST-TIN/PHOS-BROZ(0.2t)

THIS DRAWING IS A CONTROLLED DOCUMENT.

DIMENSIONS: 単位: 耗 mm	TOLERANCES UNLESS OTHERWISE SPECIFIED: 一般公差	DWN	 TE Connectivity												
<table border="1"> <tr><td>0 PLC</td><td><math>\pm 0.2</math></td></tr> <tr><td>1 PLC</td><td><math>\pm 0.2</math></td></tr> <tr><td>2 PLC</td><td><math>\pm 0.2</math></td></tr> <tr><td>3 PLC</td><td><math>\pm 0.2</math></td></tr> <tr><td>4 PLC</td><td><math>\pm 0.2</math></td></tr> <tr><td>ANGLES</td><td><math>\pm 3'</math></td></tr> </table>	0 PLC	$\pm 0.2$		1 PLC	$\pm 0.2$	2 PLC	$\pm 0.2$	3 PLC	$\pm 0.2$	4 PLC	$\pm 0.2$	ANGLES	$\pm 3'$	FINISH 仕上	NAME 名称 ON TAPING EMBOSS PLUG ASSEMBLY WITH BOSS 0.8mm PITCH BOARD TO BOARD CONNECTOR MATING HEIGHT 3.0mm
0 PLC	$\pm 0.2$														
1 PLC	$\pm 0.2$														
2 PLC	$\pm 0.2$														
3 PLC	$\pm 0.2$														
4 PLC	$\pm 0.2$														
ANGLES	$\pm 3'$														
MATERIAL 材料 SEE NOTE △ 注 △ 参照	SEE NOTE △ 注 △ 参照	PRODUCT SPEC 製品規格 APPLICATION SPEC 取付適用規格 WEIGHT	SIZE A3 CAGE CODE 00779 DRAWING NO 番号 G-179396 RESTRICTED TO 番号												
CUSTOMER DRAWING		SCALE 尺度 10:1	SHEET 2 OF 2 REV H2												