

# KR Electronics

## General Description

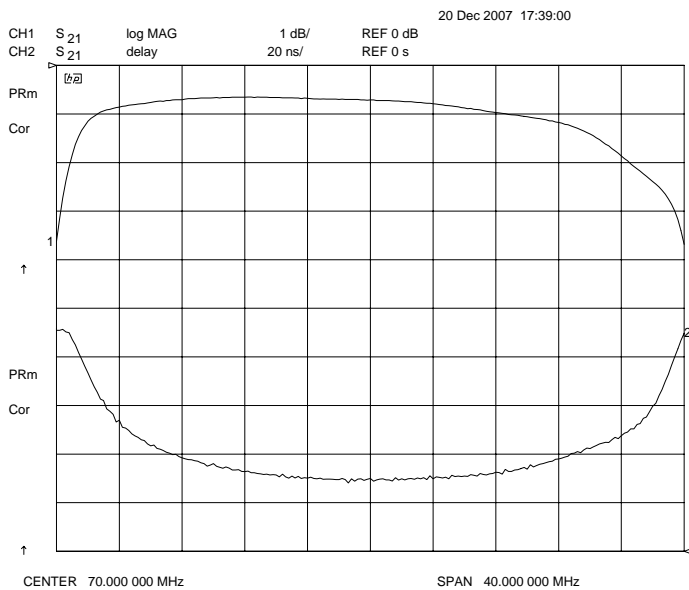
KR 2810-S is a 70 MHz bandpass filter. The filter has a 3 dB bandwidth of 40 MHz. Other center frequencies and bandwidths available. Please consult the factory.

### Features

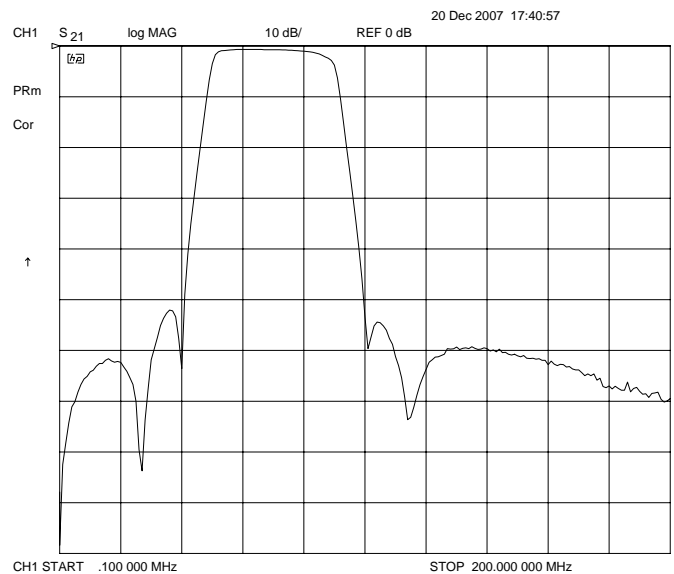
- Sharp Transition to Stopband
- >40 dB Stopband
- 50  $\Omega$  Source and Load
- Surface Mount

## Typical Performance

**Passband Amplitude & Group Delay**  
(1 dB/div & 20 nsec/div)



**Overall Response**  
(10 dB/div)



KR Electronics, Inc.  
91 Avenel Street  
Avenel, NJ 07001

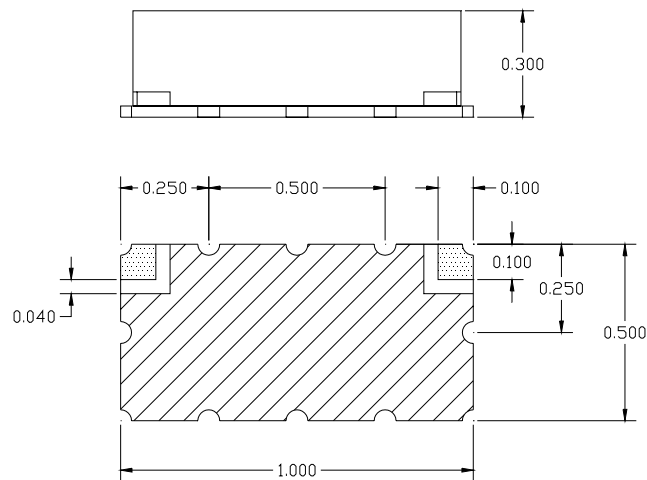
Web www.krfilters.com  
Email sales@krfilters.com  
Phone (732) 636-1900  
Fax (732) 636-1982

# KR 2810-S Bandpass

## Specifications

Parameter	Specification
Filter type	Bandpass
Center Frequency	70 MHz
Insertion Loss	< 1.5 dB (0.7 dB typical)
3 dB Bandwidth	40 MHz
Attenuation 40 MHz	> 40 dB (>50 dB typical)
Attenuation 100 MHz	> 40 dB (>50 dB typical)
Source and Load	50 Ω

## Physical Dimensions



### Notes:

1. Surface mount package — Metal cover, open frame
2. Dimensions in inches
3. Max reflow temperature 209° C for 10 sec
4. If boards are cleaned after installation, units must be completely dried