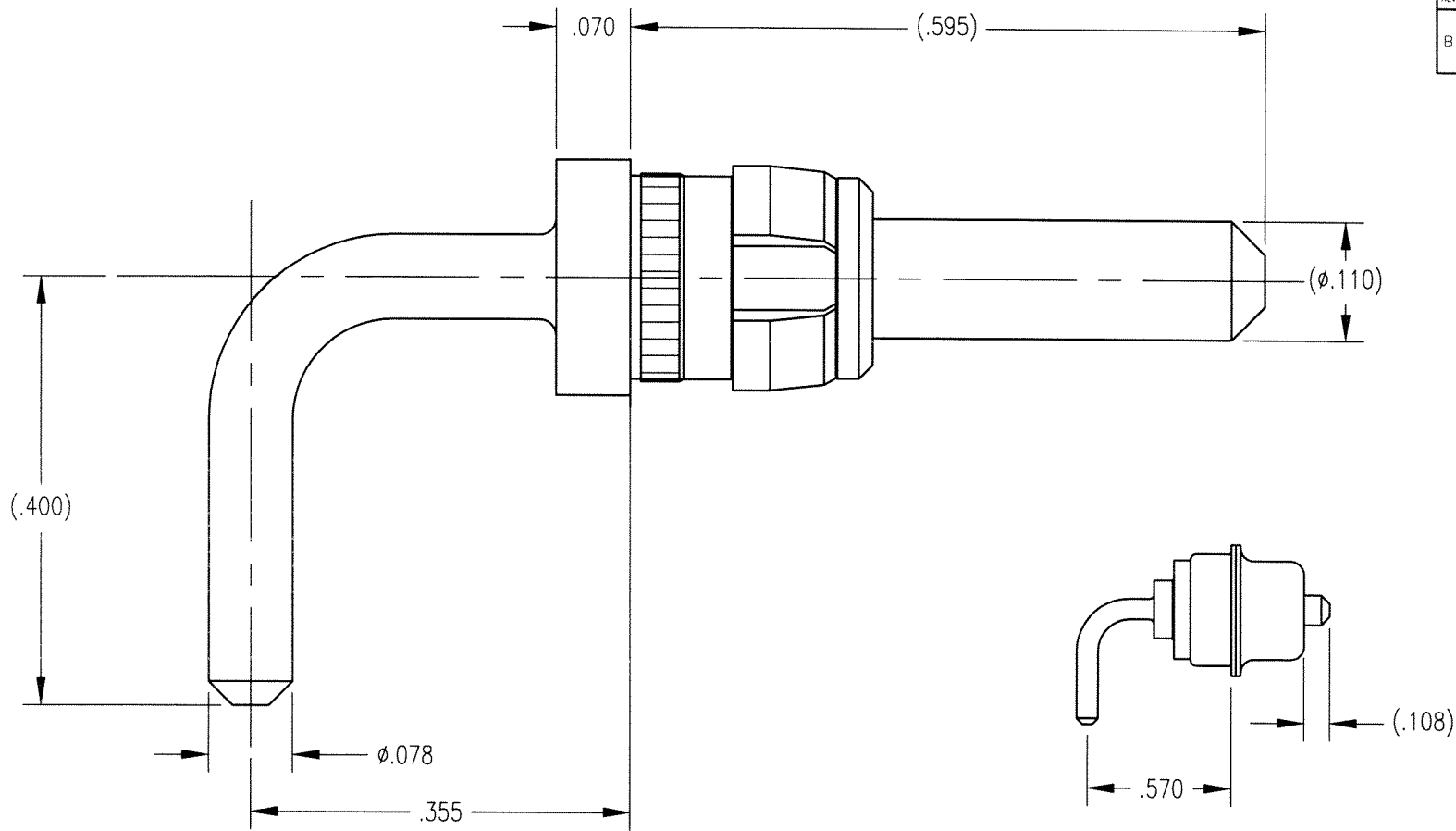


DWC NO. 222-010-0045G			
REV	DESCRIPTION	BY DATE	APPD
B	ECR 6798	5/1/01	<i>[Signature]</i>



NOTES:

- MATERIALS:  
 BODY: BRASS PER ASTM B16  
 CLIP RING: BERYLLIUM COPPER PER ASTM B194
- FINISH:  
 BODY: .000030 MIN. GOLD PER MIL-G-45204 OVER  
 .000050 MIN. NICKEL PER QQ-N-290  
 CLIP RING: .000050 MIN. NICKEL PER QQ-N-290 OVER  
 COPPER FLASH

PER ASME Y14.5M-1994 UNLESS OTHERWISE SPECIFIED: DIMENSIONS ARE IN INCHES [MM]				<b>Litton</b> <b>Winchester/Retconn</b> 400 Park Road Watertown, Connecticut 06795	
TOLERANCES: DECIMALS xx ± .01/0.254 xxx ± .005/0.127 ANGLES ± 2' SCALE: 6:1					
<b>CUSTOMER DRAWING</b>				TITLE	
			RDM RIGHT ANGLE POWER PLUG		
DRAWN	DATE	CHECKED	DATE	A	222-010-0045G
JMC	8/5/98	EJW	8/5/98		
APPROVED	DATE	APPROVED	DATE	SHT.	OF
PAT	8/5/98	PAT	8/5/98	1	1
				REV.	B