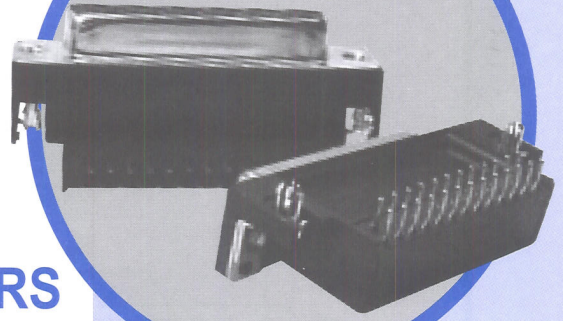


# HT

D-Sub connectors - Stamped and Formed Contacts

## RIGHT ANGLE HIGH TEMPERATURE CONNECTORS FOOTPRINT 14.99mm (.590")



CHARACTERISTICS

### Specifications

- Connectors according to MIL C24308

| Materials and Platings |                                      |
|------------------------|--------------------------------------|
| <b>Shells</b>          | Steel with nickel plating            |
| <b>Insulator</b>       | Glass-filled thermoplastic, UL 94V-0 |
| <b>Contacts</b>        | Copper alloy, selective gold plating |
| <b>Rear insert</b>     | Brass with nickel plating            |
| <b>Screwlock</b>       | Brass with nickel plating            |
| <b>Grounding clip</b>  | Copper alloy with tin plating        |

| Electrical Data              |                                  |
|------------------------------|----------------------------------|
| <b>Current rating</b>        | 5A                               |
| <b>Voltage rating</b>        | 600V AC/rms 50Hz                 |
| <b>Withstanding voltage</b>  | 1000V AC/rms 50Hz for one minute |
| <b>Insulation resistance</b> | 5000MΩ                           |
| <b>Contact resistance</b>    | 10mΩ max                         |

| Climatic Data                |                                                      |
|------------------------------|------------------------------------------------------|
| <b>Operating temperature</b> | -55°C to +150°C, resist to short term (30s) at 260°C |

| Mechanical Data                     |               |              |
|-------------------------------------|---------------|--------------|
| <b>Mating and unmating force</b>    |               |              |
| Unit: kg ( lb)                      |               |              |
| No. of Cts                          | Mate (max)    | Unmate (min) |
| 9                                   | 3.05 (6.74)   | 0.36 (0.79)  |
| 15                                  | 5.09 (11.24)  | 0.46 (1.01)  |
| 25                                  | 8.44 (18.66)  | 0.81 (1.8)   |
| 37                                  | 12.51 (27.65) | 1.1 (2.47)   |
| <b>Standard plating thicknesses</b> |               |              |
| • gold flash                        |               |              |
| • 0.76 μm (30μ") gold               |               |              |

DESCRIPTION

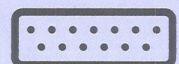
The Amphenol "HT" series allows the customers to use through hole connectors with reflow soldering process.

This series gives you Amphenol's high standards of quality and reliability to meet all of your commercial requirements

*Economical  
right angle PCB,  
high temperature  
connectors*

APPLICATIONS

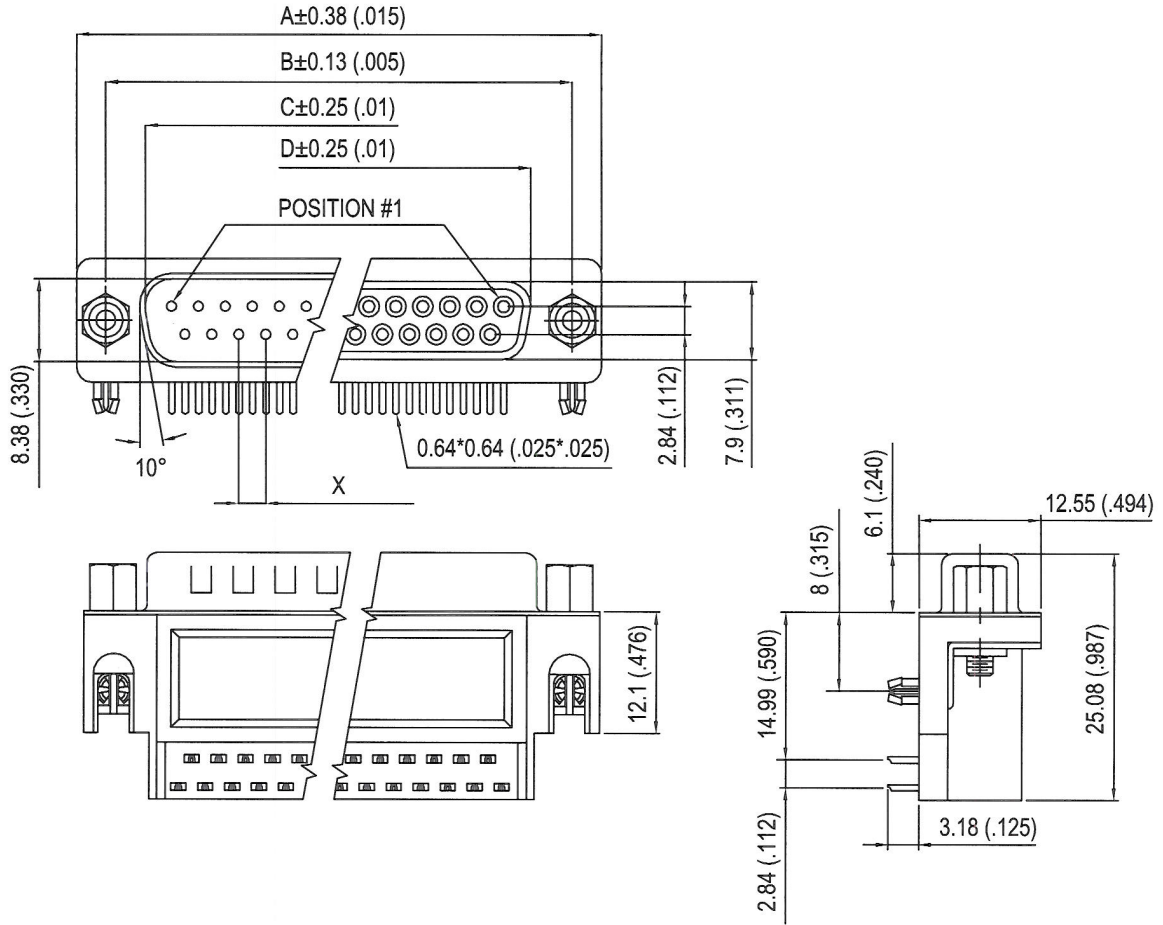
- Industrial
- Telecom
- Any industry standard I / O connections



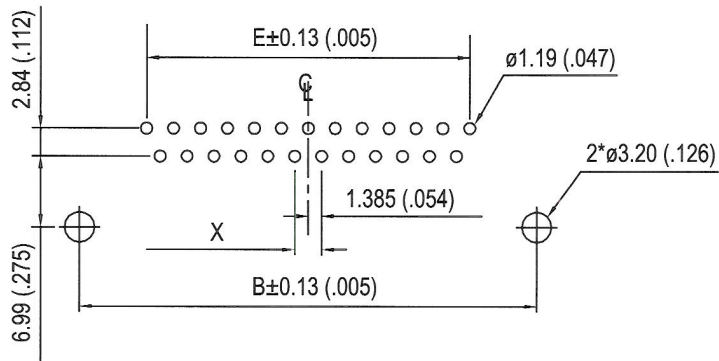
**Amphenol**

HT / E16

### Shell size dimensions

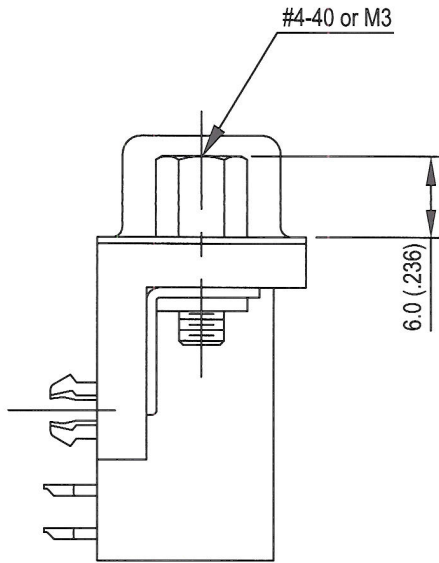


### Recommended P.C.B.Layout

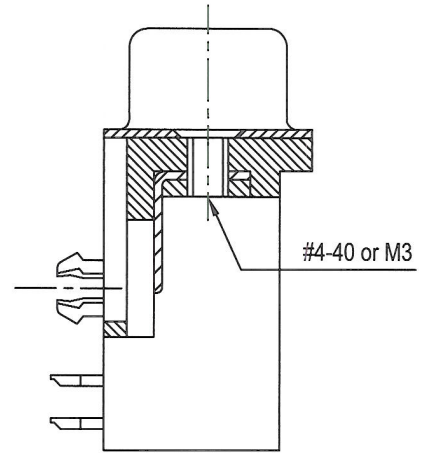


| Nb OF CONTACTS | DIMENSIONS mm (inch) |               |               |               |               |      |
|----------------|----------------------|---------------|---------------|---------------|---------------|------|
|                | A                    | B             | C             | D             | E             | X    |
| 9              | 30.84 (1.214)        | 24.99 (.984)  | 16.92 (.666)  | 16.26 (.640)  | 11.08 (.436)  | 2.74 |
| 15             | 39.24 (1.545)        | 33.32 (1.312) | 25.25 (.994)  | 24.56 (.967)  | 19.39 (.763)  | 2.74 |
| 25             | 53.04 (2.088)        | 47.04 (1.852) | 38.96 (1.534) | 38.30 (1.508) | 33.24 (1.309) | 2.77 |
| 37             | 69.34 (2.730)        | 63.50 (2.500) | 55.42 (2.182) | 54.76 (2.156) | 49.86 (1.963) | 2.77 |

## Panel mounting option

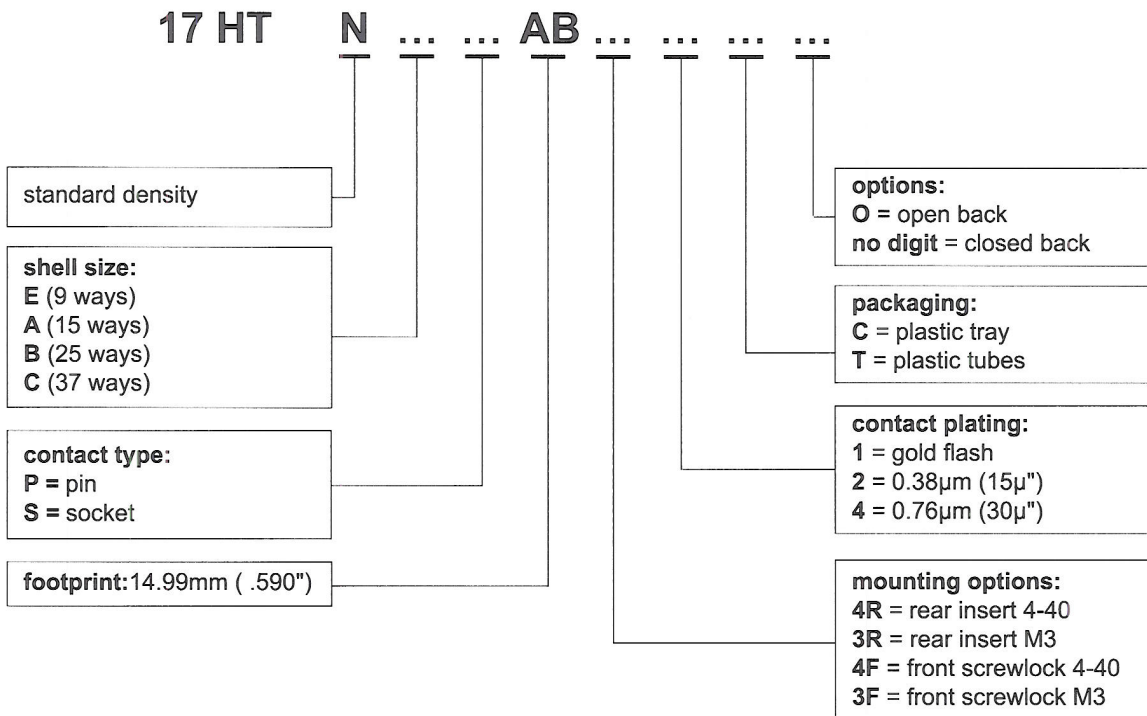


Front female screwlock  
4F/3F



Threaded rear insert  
4R/3R

## How to order



For special request, please consult factory

