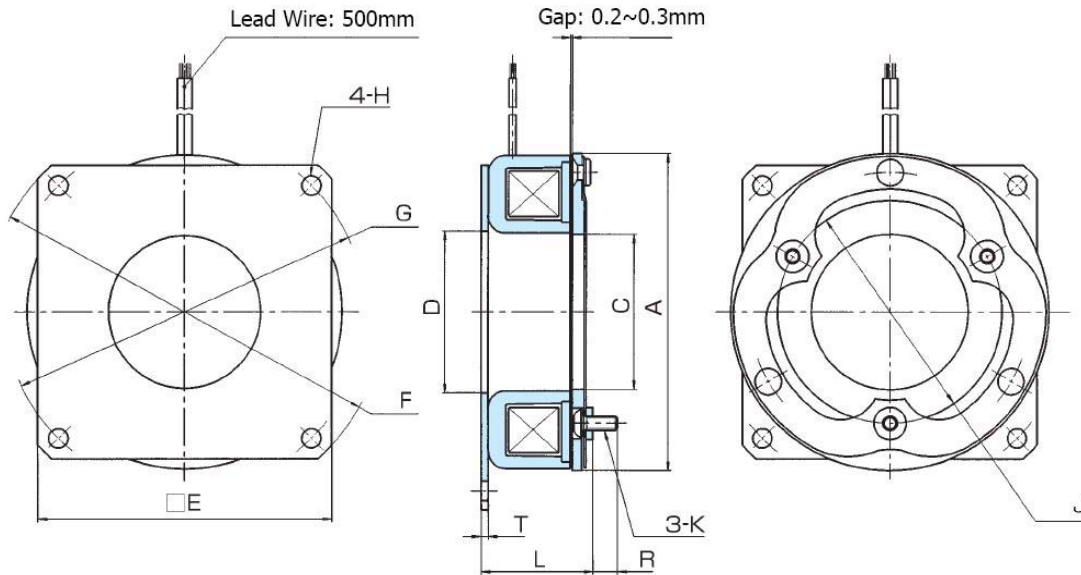


VBEH / VBSH

EM Brake (high torque design)

Types: 0.6, 1.2, 2.5, 5

[EM: Electromagnet]



[Special Order]

VBEH / VBSH		0.6		1.2		2.5		5	
Type		VBEH	VBSH ¹	VBEH	VBSH ¹	VBEH	VBSH ¹	VBEH	VBSH ¹
Static Torque [ft-lbs / N-m]		5.2 / 7		11 / 15		22 / 30		44 / 60	
Coil (20°C)	Voltage [DC-V]	24							
	Current [A]	0.5		0.75		0.92		1.41	
	Resistance [Ω]	48		32		26		17	
	Wattage [W]	12		18		22		33	
Armature	Pull-In Time [ms]	10		10		15		20	
	Release Time [ms]	25		35		55		75	
Torque Build-Up Time [ms]		40		40		55		60	
Max Allowable Speed [rpm]		7000		6000		5500		4500	
Moment of Inertia (J) [kg-cm ²]		0.5	0.5	1.5	1.6	4.8	5.1	14.3	15.1
Total Energy Until Life [J]		13 x 10 ⁷		25 x 10 ⁷		49 x 10 ⁷		88 x 10 ⁷	
Dimensions [mm]	A	67		86		108		136	
	C	35		45		53		66	
	D+0.2/-0	35		45		52		65	
	E	62		82		100		125	
	F+0/-0.2	85		110		135		165	
	G	75		98		122		150	
	H	4.5		5.5		6.5		6.5	
	J	46		60		76		95	
	K	M3		M4		M5		M6	
	L	30	30.5	33.6	34.1	38	38.9	41.5	42.5
R	5.8	5.4	7	6.6	8.2	7.6	10.4	9.6	
T	1.8		2.1		2.4		2.4		
Weight [lbs / kg]		0.82 / 0.37		1.4 / 0.6		2.6 / 1.2		4.9 / 2.2	

[Included parts & accessories : bolts, washers, spacers, surge protector]

[1 inch = 25.4 mm]

[Note 1 : Silent type]