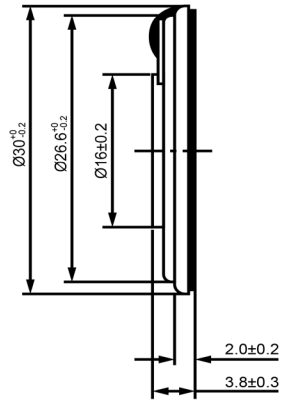
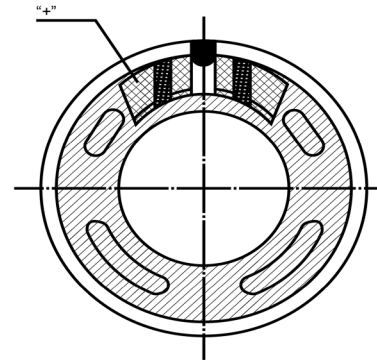




SIDE VIEW



BOTTOM VIEW



Specifications			Notes	Revision History							
Description	Value	Unit		Version	Description	Date	Approved				
Shape	Round		1) All dimensions are in mm unless otherwise noted 2) All parts meet RoHS	1	Released from Engineering	10/21/2013	J.S				
Resonant Frequency	380	(Hz)									
Frequency Range	380 ~ 5,000	(Hz)									
SPL @ 10cm	90	(dBA)									
Impedance	16	(Ohm)									
Cone Material	Mylar										
Nominal Power	0.2	(W)									
Max Power	0.4	(W)									
Mount Type	Flush										
Operating Temperature	-40 ~ +66	°C									
Storage Temperature	-40 ~ +66	°C									
Weight	5	(g)									
						Drawn by	Date	Checked by	Date	Approved by	Date
						A.B.	10/21/2013	C.E.	10/21/2013	J.S	10/21/2013
			Dynamic Speaker			SM300316-1					