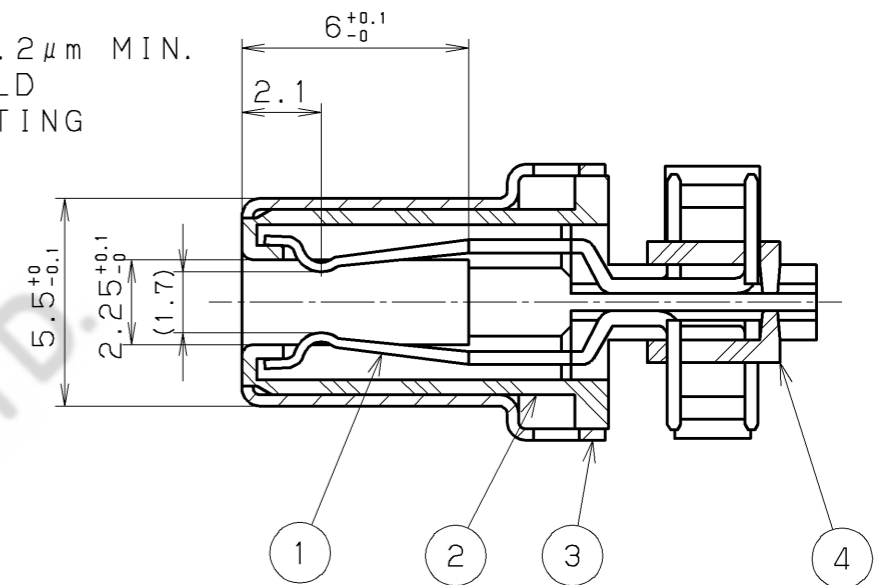
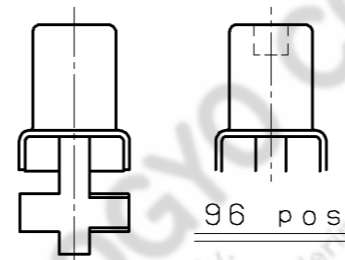
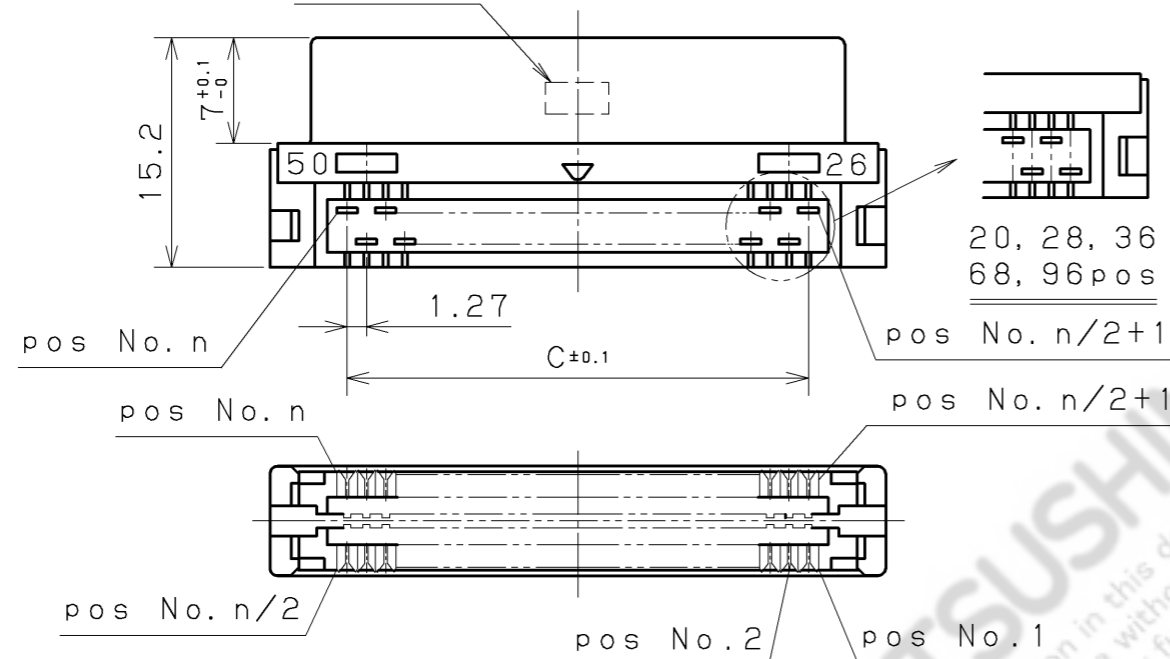


NOTE 1. CONTACT PLATING  
 CONTACT AREA: GOLD 0.2 μm MIN.  
 TERMINATION AREA: GOLD  
 ALL OVER NICKEL PLATING



X-X SECTION (5/1)



Discrete Wire Housing

Cohesion Cable Housing

PCR-E ( ) FN+	#26AWG (1/0.4) Discrete Wire Housing Ø0.8~Ø1.0	FN:50pos. only
PCR-E ( ) FK+	#30AWG (7/0.1) Discrete Wire Housing Ø0.65~Ø0.8	
PCR-E ( ) FJ+	#28AWG (7/0.127) #30AWG (1/0.254) Discrete Wire Housing Ø0.65~Ø0.8	FH:68pos. only
PCR-E ( ) FH+	#32AWG (7/0.08) Discrete Wire Housing Ø0.35~Ø0.5	
PCR-E ( ) FD+	#30AWG (7/0.1) Cohesion Cable	
PCR-E ( ) FC+	#28AWG (7/0.127) #30AWG (1/0.254) Cohesion Cable	
PCR-E ( ) FB+	#30AWG (7/0.1) Discrete Wire Housing Ø0.5~Ø0.65	
PCR-E ( ) FA+	#28AWG (7/0.127) #30AWG (1/0.254) Discrete Wire Housing Ø0.5~Ø0.65	
PCR-E ( ) F+	#28AWG (7/0.127) #30AWG (1/0.254) Discrete Wire Housing Ø0.8~Ø1.0	
PART No.	Applicable Wire Size	

PCR-E96F ( ) +	96	69.9	61.61	1.27x (48-1) = 59.69	64.51	1, 48, 49, 96
PCR-E80F ( ) +	80	59.7	51.45	1.27x (40-1) = 49.53	54.35	1, 40, 41, 80
PCR-E68F ( ) +	68	52.1	43.83	1.27x (34-1) = 41.91	46.73	1, 34, 35, 68
PCR-E50F ( ) +	50	40.7	32.4	1.27x (25-1) = 30.48	35.3	1, 25, 26, 50
PCR-E36F ( ) +	36	31.8	23.51	1.27x (18-1) = 21.59	26.41	1, 18, 19, 36
PCR-E28F ( ) +	28	26.7	18.43	1.27x (14-1) = 16.51	21.33	1, 14, 15, 28
PCR-E20F ( ) +	20	21.65	13.35	1.27x (10-1) = 11.43	16.25	1, 13, 14, 20
PART. No.	No. OF Pos.	A	B	C	D	CONTACT Pos. # MARKING
DIMMENSION						

5	CABLE HOUSING	PBT (GF)	2	—	UL94V-0 BLACK				
4	SPEACER	PBT (GF)	2	—	UL94V-0 BLACK				
3	SHELL	STEEL	1	NICKEL PLATED	—				
2	INSULATOR	PBT (GF)	1	—	UL94V-0 BLACK				
1	CONTACT	PHOSPHOR BRONZE	No. OF POS.	SEE NOTE 1	—				
改版 LTR.	年月日 DATE	変更者 BY	変更内容 REV. DESCRIPT	番号 No.	部品名称 PART NAME	材質 MATERIAL	個数 QTY	処理 FINISH	備考 NOTE
	MAR. 31 (2004)		2/1						
製 DR.	設 DE.	計 CHK.	検 CHK.	承 APP.	本多通信工業株式会社 HONDA TSUSHIN KOGYO CO., LTD. 名称 NAME 1.27mm SPACING PCR-E TYPE IDC FEMALE CONNCTOR (RoHS) 製番 PART NO. PCR-E ( ) F ( ) +				
T. KAWANO	T. KAWANO	T. SOGO	K. HOMMA	S. FURUSAWA					