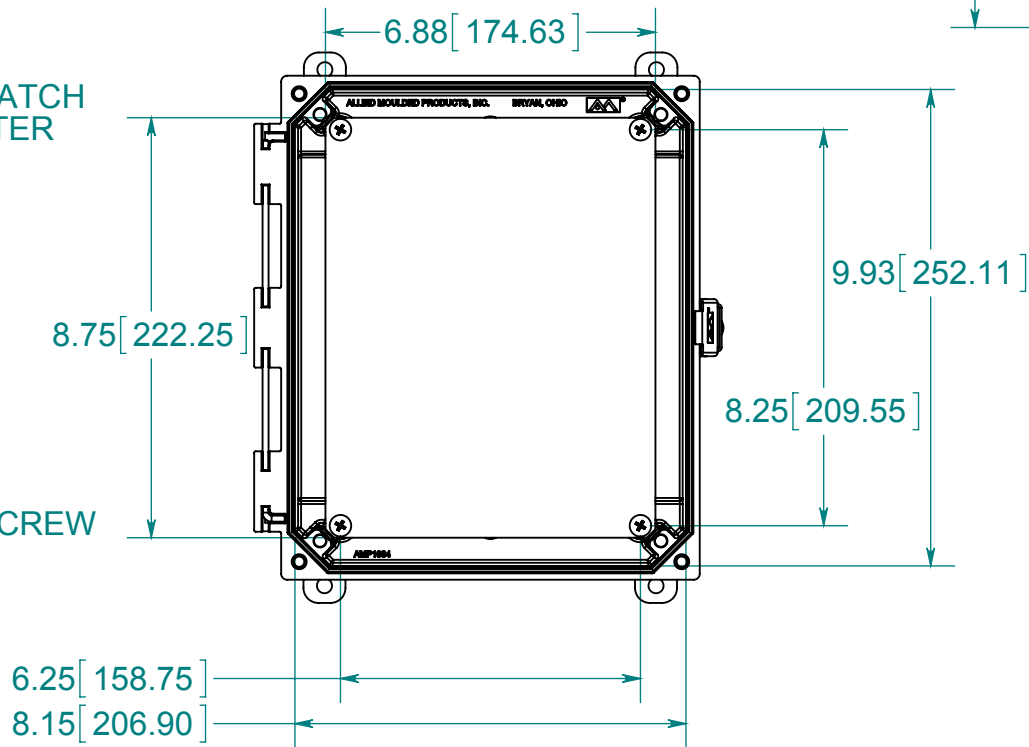
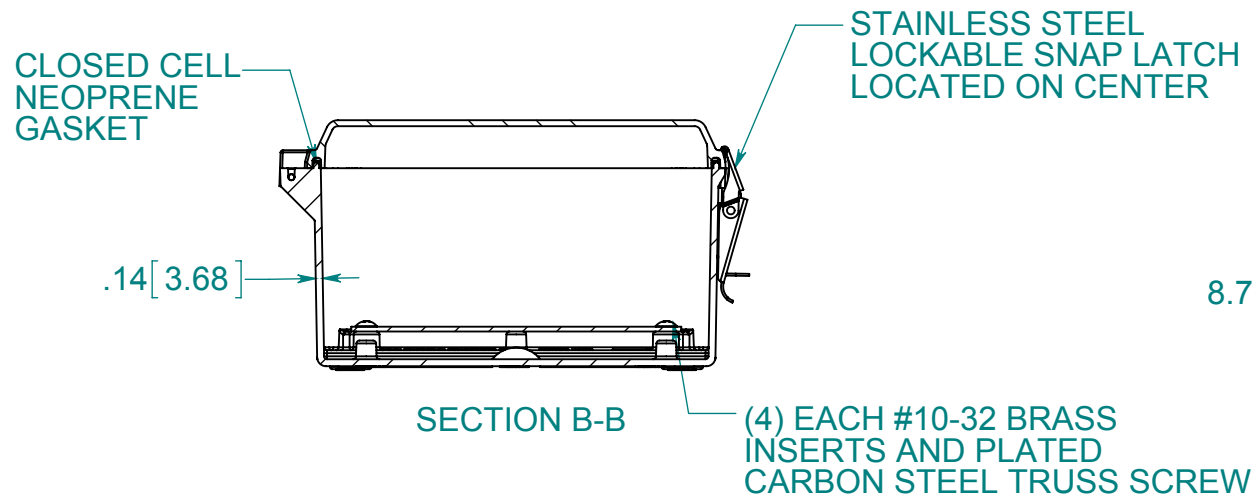
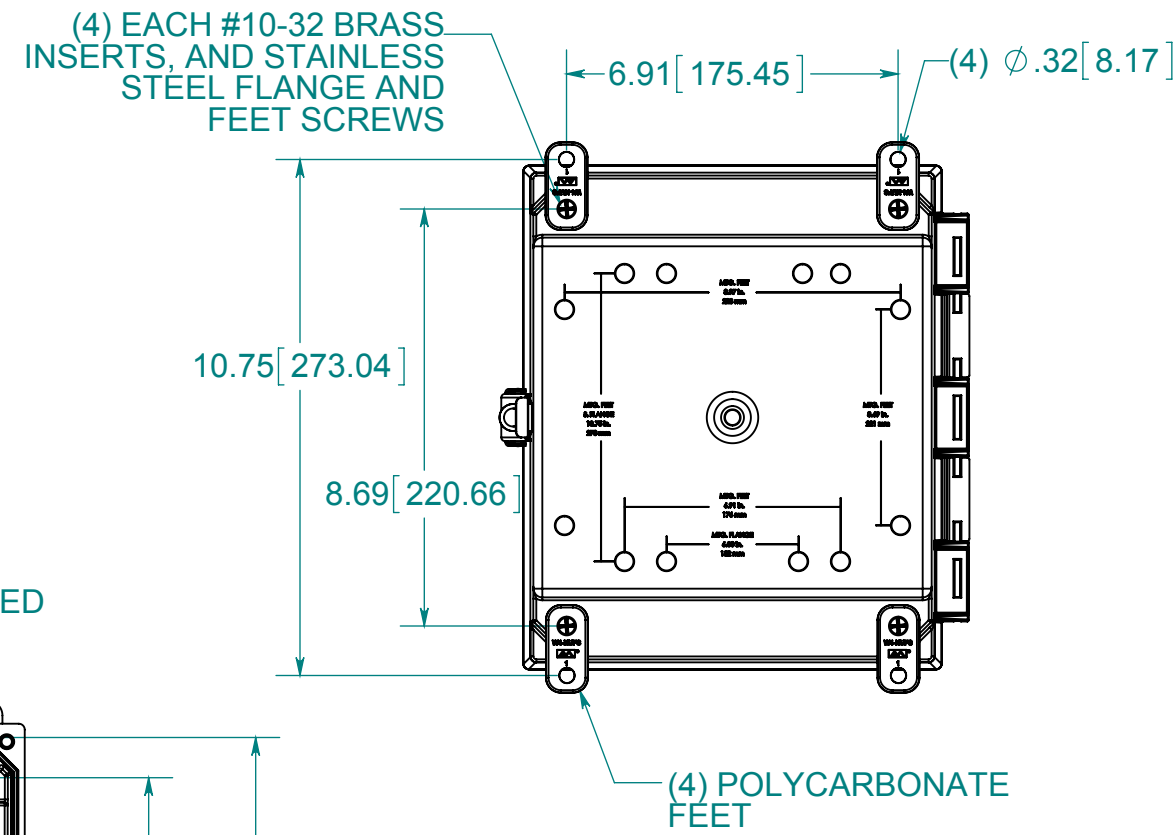
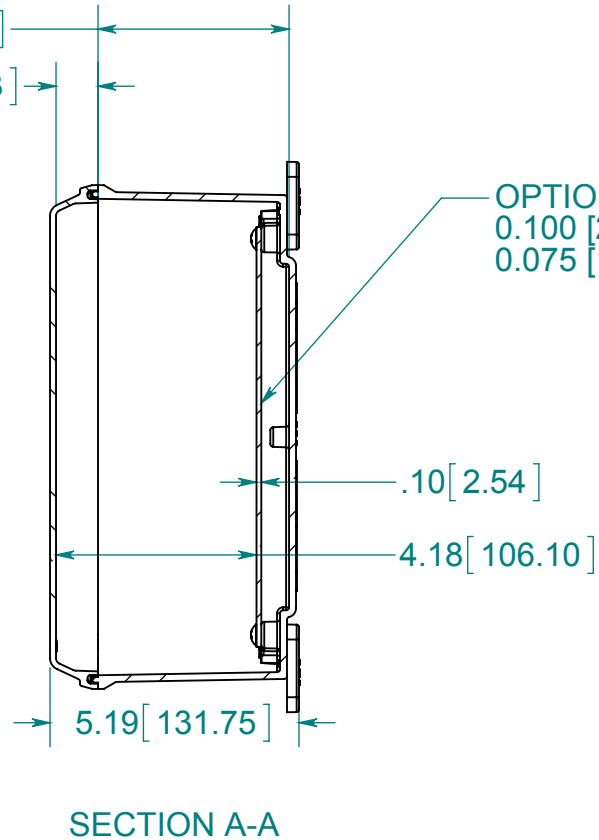
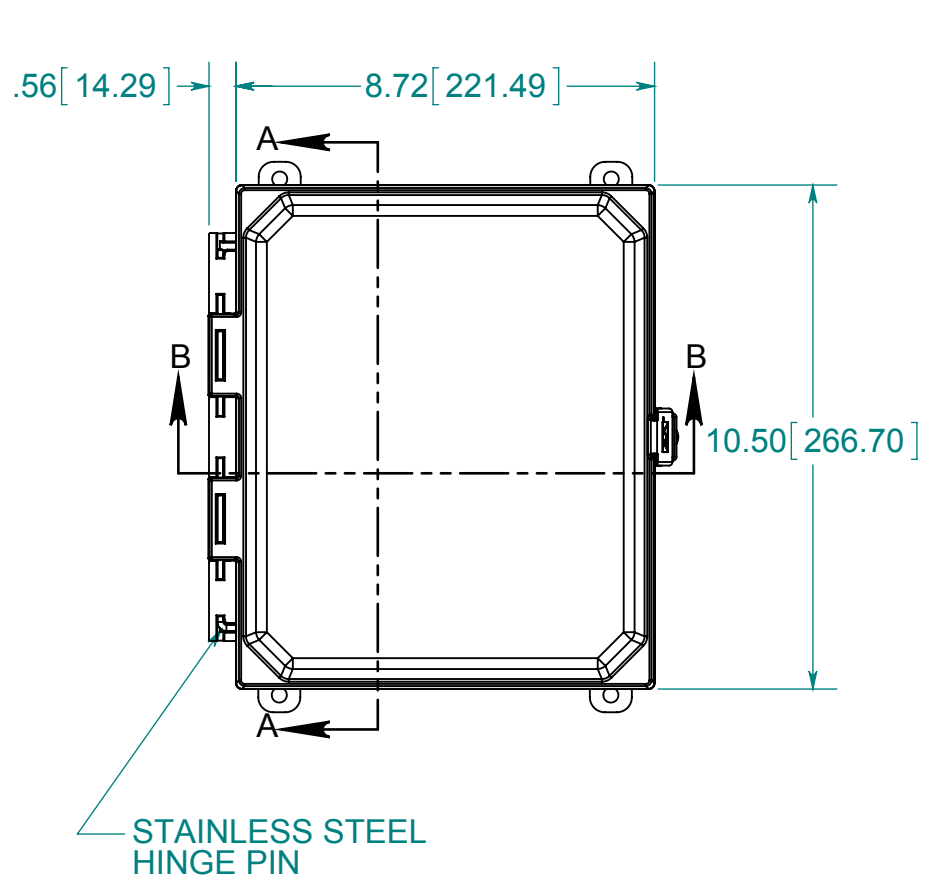



DATE	REV.	DESCRIPTION	DR	CK	REL



MATERIAL:
 BOX- INJECTED POLYCARBONATE
 STANDARD COVER- INJECTED POLYCARBONATE
 CLEAR COVER - INJECTED POLYCARBONATE



PART No. PCJ1084L
 for more information visit
www.hammfg.com
 Data subject to change without notice
 Drawing Not to Scale