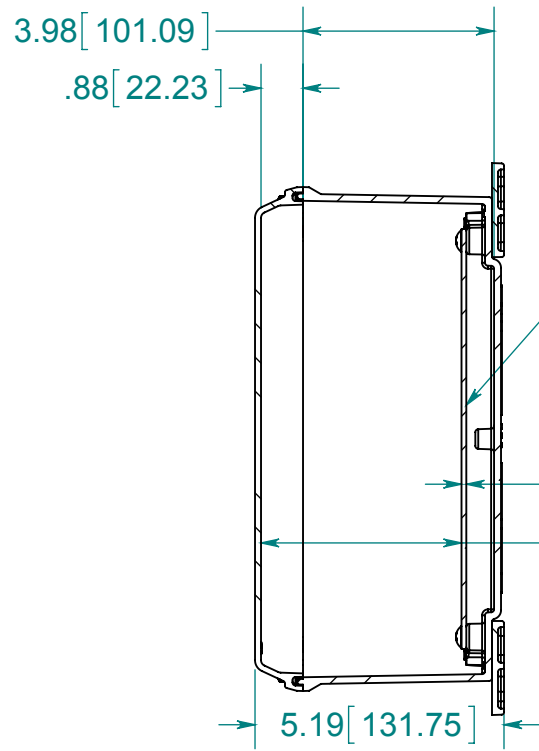
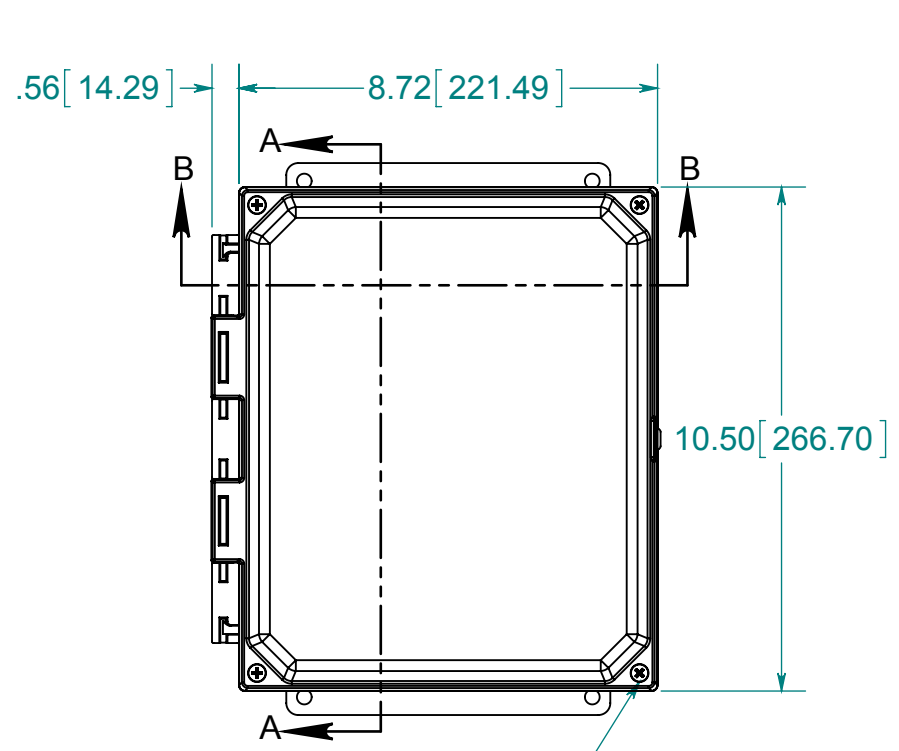


DATE	REV.	DESCRIPTION	DR	CK	REL

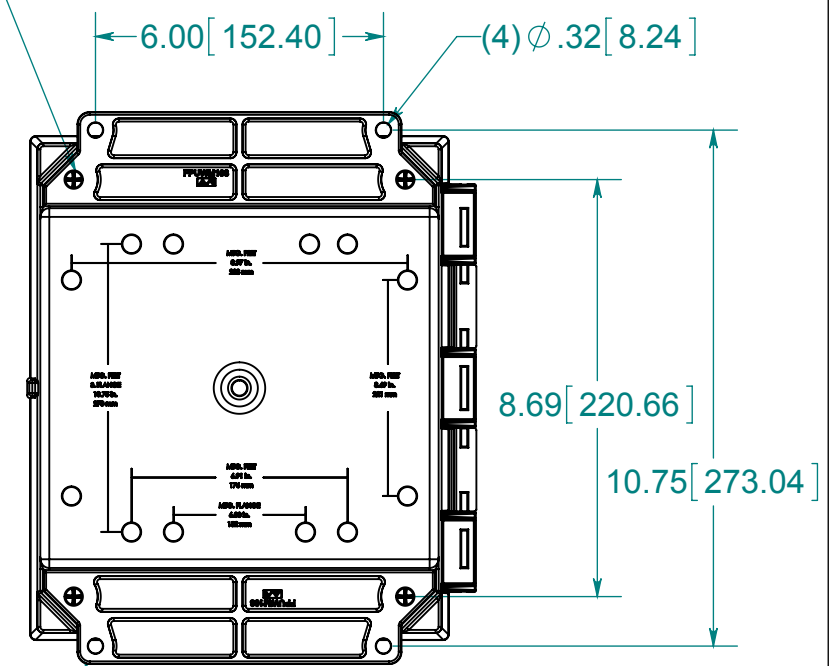


OPTIONAL BACK PANEL SHOWN  
 0.100 [2.54mm] TH'K- ALUMINUM  
 0.075 [1.91mm] TH'K- WHITE STEEL

(4) EACH #10-32 BRASS  
 INSERTS, AND STAINLESS  
 STEEL FLANGE AND  
 FEET SCREWS

(4) EACH #10-32 BRASS INSERTS  
 AND STAINLESS STEEL  
 CAPTIVE COVER SCREWS

SECTION A-A

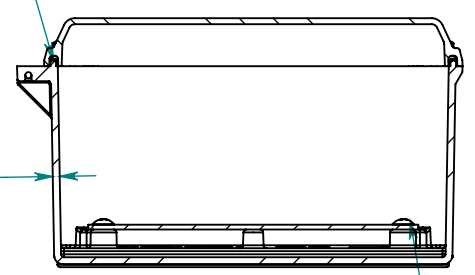


(4) POLYCARBONATE  
 FLANGES (GLUED)

FRONT VIEW  
 WITH COVER REMOVED  
 AND BACK PANEL DISPLAYED

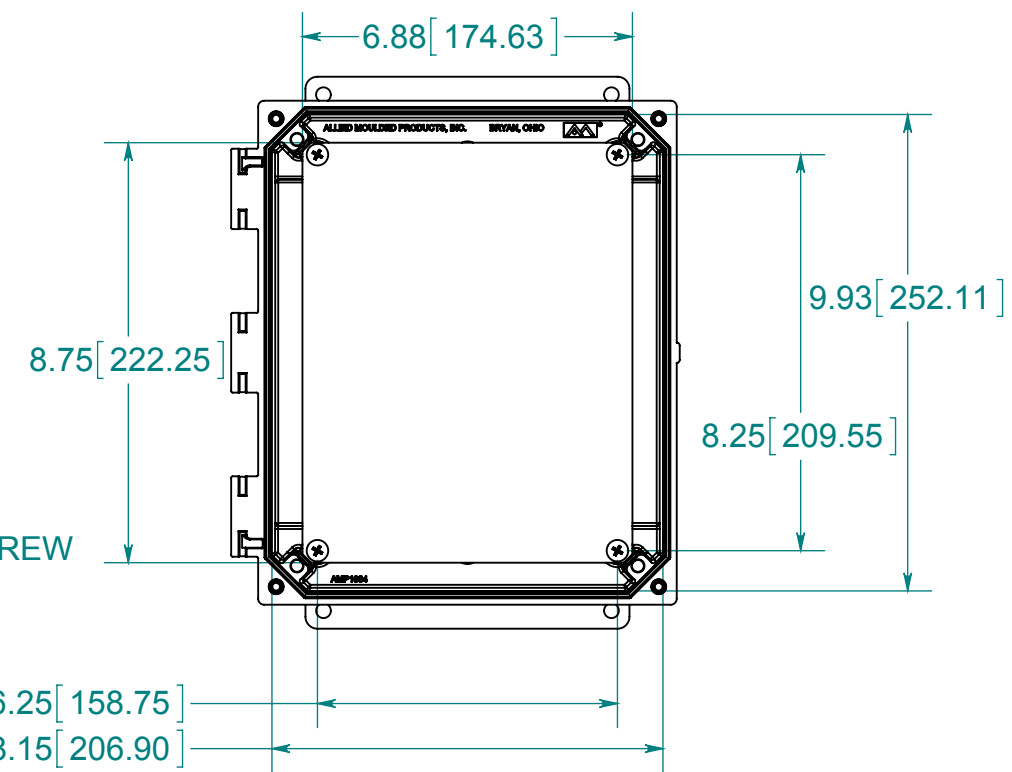
CLOSED CELL  
 NEOPRENE  
 GASKET

.14 [3.68]

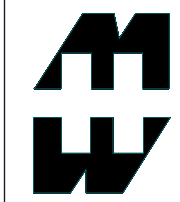


SECTION B-B

(4) EACH #10-32 BRASS  
 INSERTS AND PLATED  
 CARBON STEEL TRUSS SCREW



MATERIAL:  
 BOX- INJECTED POLYCARBONATE  
 STANDARD COVER- INJECTED POLYCARBONATE  
 CLEAR COVER - INJECTED POLYCARBONATE



PART No. PCJ1084CCF  
 for more information visit  
[www.hammfg.com](http://www.hammfg.com)  
 Data subject to change without notice  
 Drawing Not to Scale