

Low Power Consumption LDO ME6209 Series

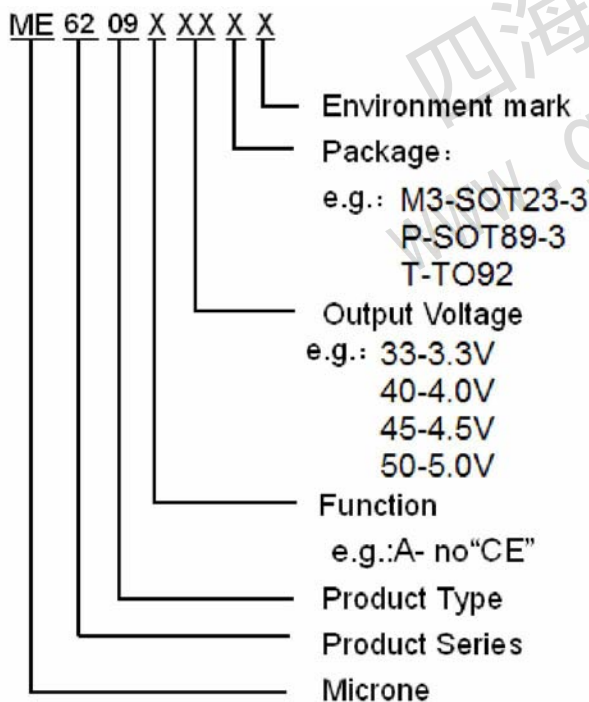
General Description

The ME6209 series are a group of positive voltage output, three-pin regulator, that provide a high current even when the input/output voltage differential is small. Low power consumption and high accuracy is achieved through CMOS technology. They allow input voltages as high as 18V.

Features

- | Ultra low quiescent current: 3.0uA(typ)
- | High input voltage (up to 18v)
- | Low dropout voltage :80mV@Iout=40mA (Vout=3.3v)
- | Output voltage accuracy : ±2%
- | Maximum output current : 250mA (within max.power dissipation,Vout=3.3V)
- | Low temperature coefficient
- | Package : SOT23-3, TO-92, SOT89-3

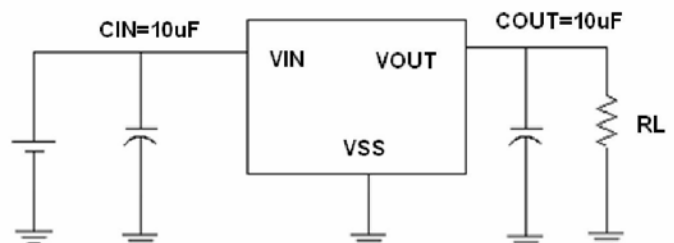
Selection Guide



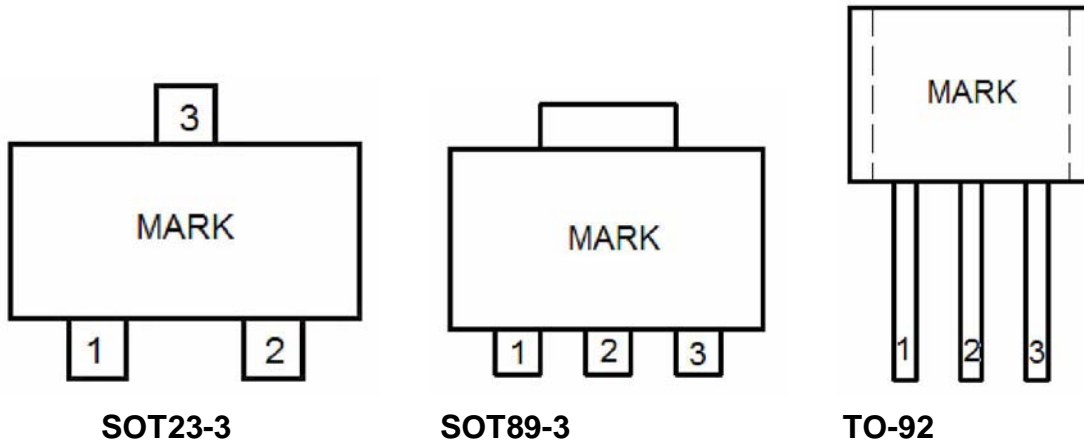
Typical Application

- | Cameras, video recorders
- | Voltage regulator for microprocessor
- | Voltage regulator for LAN cards
- | Wireless communication equipment
- | Audio/Video equipment

Typical Application Circuit



Pin Configuration



Pin Assignment

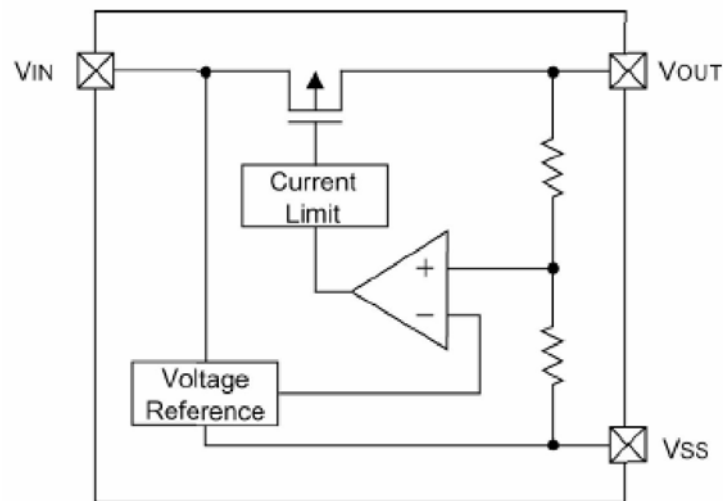
ME6209AXX

Pin Number		Pin Name	Functions
SOT89-3/TO-92	SOT23-3		
1	1	V_{SS}	Ground
2	3	V_{IN}	Input
3	2	V_{OUT}	Output

Absolute Maximum Ratings

Parameter	Symbol	Ratings	Units
Input Voltage	V_{IN}	18	V
Output Voltage	V_{OUT}	$V_{SS}-0.3 \sim V_{IN} +0.3$	V
Output Current	I_{out}	500	mA
Operating Temperature Range	T_{OPR}	-40 ~ + 85	
Storage Temperature Range	T_{STG}	- 40 ~ + 125	
Power Dissipation	SOT89-3	500	mW
	TO-92	500	
	SOT23-3	300	

Block Diagram



Electrical Characteristics

ME6209A33

($V_{IN} = V_{OUT} + 1.0V$, $C_{IN} = C_L = 10\mu F$, $T_a = 25^\circ C$, unless otherwise noted)

Parameter	Symbol	Conditions	Min.	Typ.	Max.	Units
Output Voltage	$V_{OUT(E)}$ (Note 2)	$I_{OUT} = 40mA$, $V_{IN} = V_{OUT} + 1V$	X 0.98	$V_{OUT(T)}$ (Note 1)	X 1.02	V
Input Voltage	V_{IN}				18	V
Maximum Output Voltage	I_{OUT_max}	$V_{IN} = V_{OUT} + 1V$	250			mA
Load Regulation	V_{OUT}	$V_{IN} = V_{OUT} + 1V$, $1mA \leq I_{OUT} \leq 60mA$		15	40	mV
Dropout Voltage (Note 3)	V_{dif}	$I_{OUT} = 40mA$		80		mV
Supply Current	I_{SS}	$V_{IN} = V_{OUT} + 1V$		3	4	μA
Line Regulations	$\frac{V_{OUT}}{V_{IN} \times V_{OUT}}$	$I_{OUT} = 40mA$ $V_{OUT} + 1V \leq V_{IN} \leq 18V$		0.1	0.2	%/V
V_{OUT} / T_a	Temperature Coefficient	$V_{IN} = V_{OUT} + 1V$, $I_{OUT} = 40mA$ $-40 < T_a < 85$		± 0.7		mV/

ME6209A40

($V_{IN} = V_{OUT} + 1.0V$, $C_{IN} = C_L = 10\mu F$, $T_a = 25^\circ C$, unless otherwise noted)

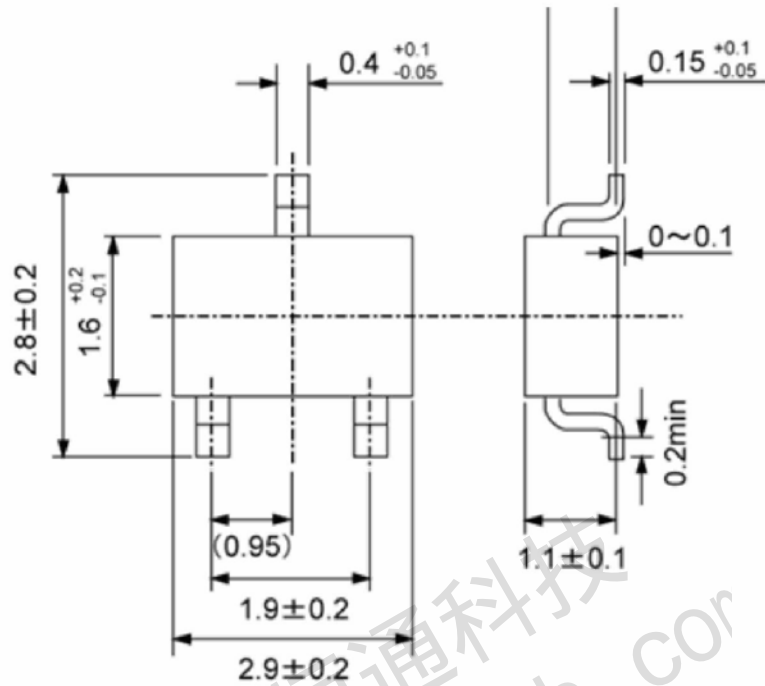
Parameter	Symbol	Conditions	Min.	Typ.	Max.	Units
Output Voltage	$V_{OUT}(E)$ (Note 2)	$I_{OUT} = 40mA$, $V_{IN} = V_{OUT} + 1V$	X 0.98	$V_{OUT}(T)$ (Note 1)	X 1.02	V
Input Voltage	V_{IN}				18	V
Maximum Output Voltage	I_{OUT_max}	$V_{IN} = V_{OUT} + 1V$	250			mA
Load Regulation	V_{OUT}	$V_{IN} = V_{OUT} + 1V$, $1mA$ I_{OUT} $60mA$		15	40	mV
Dropout Voltage (Note 3)	V_{dif}	$I_{OUT} = 40mA$		70		mV
Supply Current	I_{SS}	$V_{IN} = V_{OUT} + 1V$		3	4	μA
Line Regulations	$\frac{V_{OUT}}{V_{IN} \times V_{OUT}}$	$I_{OUT} = 40mA$ $V_{OUT} + 1V$ V_{IN} $18V$		0.1	0.2	%/V
V_{OUT}/T_a	Temperature Coefficient	$V_{IN} = V_{OUT} + 1V$, $I_{OUT} = 40mA$ $-40 < T_a < 85$		± 0.7		mV/

Note :

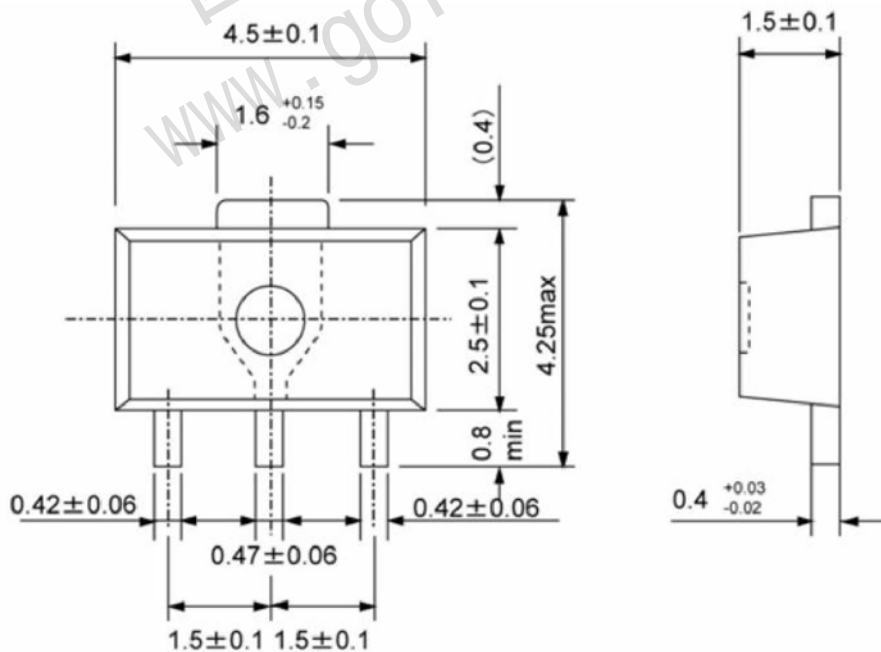
- $V_{OUT}(T)$: Specified Output Voltage
- $V_{OUT}(E)$: Effective Output Voltage (ie. The output voltage when " $V_{OUT}(T) + 1.0V$ " is provided at the V_{IN} pin while maintaining a certain I_{OUT} value.)
- V_{DIF} : $V_{IN1} - V_{OUT}(E)$
 V_{IN1} : The input voltage when $V_{OUT}(E)$ appears as input voltage is gradually decreased.
 $V_{OUT}(E)$: A voltage equal to 98% of the output voltage whenever an amply stabilized I_{OUT} and $\{V_{OUT}(T) + 1.0V\}$ is input.

Packaging Information:

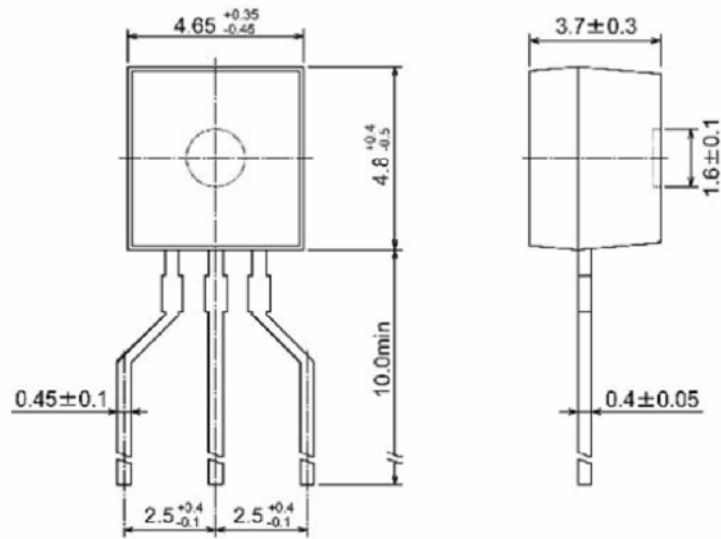
SOT23-3



SOT89-3



TO-92



- I The information described herein is subject to change without notice.
- I Nanjing Micro One Electronics Inc is not responsible for any problems caused by circuits or diagrams described herein whose related industrial properties, patents, or other rights belong to third parties. The application circuit examples explain typical applications of the products, and do not guarantee the success of any specific mass-production design.
- I Use of the information described herein for other purposes and/or reproduction or copying without the express permission of Nanjing Micro One Electronics Inc is strictly prohibited.
- I The products described herein cannot be used as part of any device or equipment affecting the human body, such as exercise equipment, medical equipment, security systems, gas equipment, or any apparatus installed in airplanes and other vehicles, without prior written permission of Nanjing Micro One Electronics Inc.
- I Although Nanjing Micro One Electronics Inc exerts the greatest possible effort to ensure high quality and reliability, the failure or malfunction of semiconductor products may occur. The user of these products should therefore give thorough consideration to safety design, including redundancy, fire-prevention measures, and malfunction prevention, to prevent any accidents, fires, or community damage that may ensue.