

Resistance Weld SMD Crystal



Model: HC49SDLF

RoHS Compliant / Pb Free

Rev. 5/5/2014

Page 1 of 3

http://www.foxonline.com/need_a_sample.htm



FEATURES

- Stock Standard (see page 2)
- Fundamental to 40 MHz
- Tape and Reel (1,000 pcs. STD)
- Tolerances to 10 PPM
- Stabilities to 5 PPM
- Temperatures to -55°C ~ +125°C
- 3.2mm Height Max (HC49SSDLF)

OPTIONS

| • PART NUMBER | | |
|-----------------------|--------------|-----------------------|
| Part Number | Model Number | Frequency Range (MHz) |
| 278LF-Frequency-xxxxx | HC49SDLF | 3.200 ~ 80.000 |

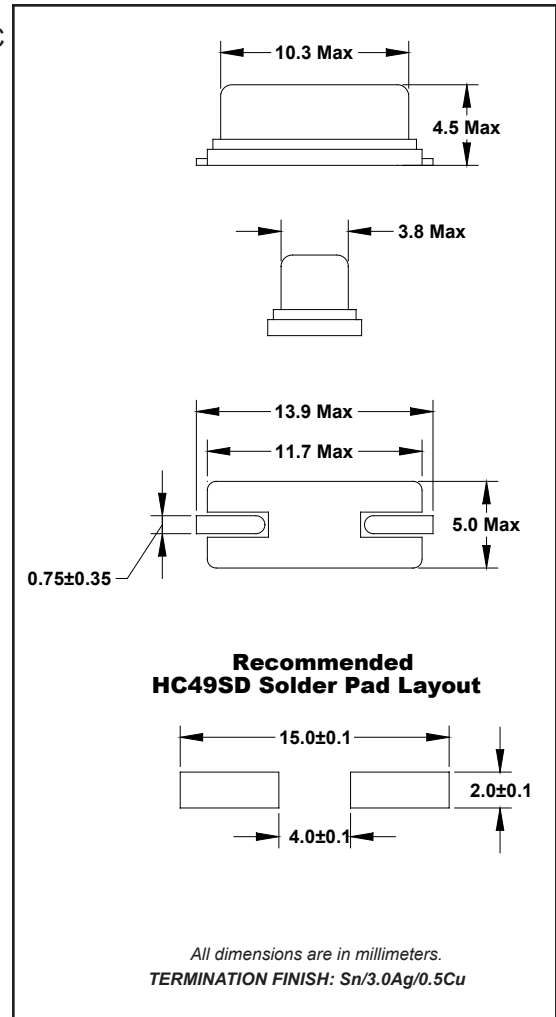
| • STANDARD SPECIFICATIONS ¹ | |
|--|-------------------------------------|
| PARAMETERS | MAX (unless otherwise noted) |
| Frequency Range | 3.200 ~ 80.000 MHz |
| Frequency Tolerance @ 25°C | ±50 PPM ^{1,3} |
| Frequency Stability, ref @ 25°C | ±50 PPM ¹ |
| Temperature Range | |
| Operating (TOPR) | -20°C ~ +70°C ² |
| Storage (TSTG) | -40°C ~ +125°C |
| Shunt Capacitance (Co) | 7pF |
| Load Capacitance (CL) | 10 pF ~ Series (Customer Specified) |
| Drive Level | 100uW |
| Aging per year | ±3 PPM |
| Maximum Soldering Temp / Time | 260°C / 10 Seconds |
| Moisture Sensitivity Level (MSL) | 1 |
| Termination Finish: | Sn/Ag/Cu |

¹ Other tolerances, stabilities available. Consult Fox Customer Service for specific requirements.

² Operating temperature ranges to -55°C ~ +125°C available.

³ Crystal has a ±30ppm tolerance specification for all standard part numbers. These part numbers are listed on page 2 of this datasheet.

Note: Dimensional drawing is for reference to critical specifications defined by size measurements. Certain non-critical visual attributes, such as side castellations, etc. may vary. All specifications subject to change without notice.



| Frequency Range (MHz) | Operating Mode | Max ESR Ω |
|-----------------------|----------------|-----------|
| 3.200 ~ 3.500 | Fundamental | 300 |
| 3.500+ ~ 4.000 | Fundamental | 200 |
| 4.000+ ~ 5.000 | Fundamental | 150 |
| 5.000+ ~ 6.000 | Fundamental | 120 |
| 6.000+ ~ 7.000 | Fundamental | 100 |
| 7.000+ ~ 9.000 | Fundamental | 80 |
| 9.000+ ~ 13.000 | Fundamental | 60 |
| 13.000+ ~ 20.000 | Fundamental | 40 |
| 20.000+ ~ 40.000 | Fundamental | 30 |
| 27.000 ~ 70.000 | 3rd OT | 100 |
| 70.000+ ~ 80.000 | 3rd OT | 80 |

Resistance Weld SMD Crystal



Model: HC49SDLF

RoHS Compliant / Pb Free

Rev. 5/5/2014

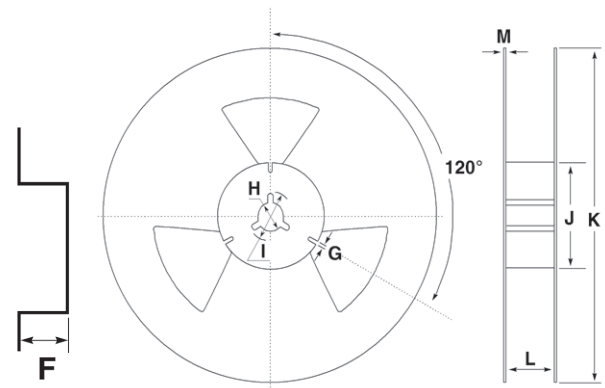
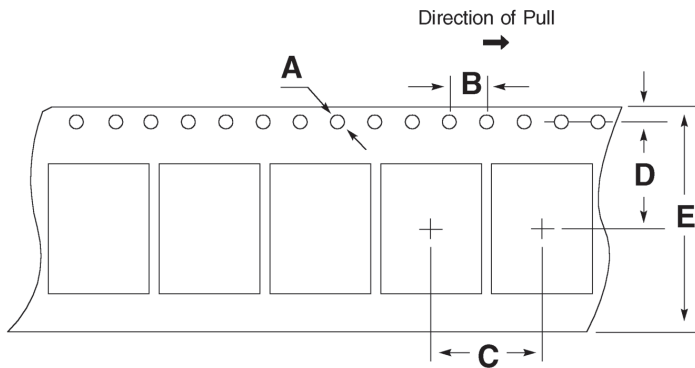
Page 2 of 3

http://www.foxonline.com/need_a_sample.htm



| • TAPE SPECIFICATIONS (millimeters) | | | | | | | |
|-------------------------------------|------|-----|------|------|------|-----|--------------|
| MODEL | A | B | C | D | E | F | STD Reel QTY |
| HC49SDLF | ∅1.5 | 4.0 | 12.0 | 11.5 | 24.0 | 4.8 | 1,000 |

| • REEL SPECIFICATIONS (millimeters) | | | | | | | |
|-------------------------------------|-----|-----|-----|-----|------|------|-----|
| MODEL | G | H | I | J | K | L | M |
| HC49SDLF | 2.0 | ∅13 | ∅21 | ∅80 | ∅330 | 25.5 | 2.0 |



Resistance Weld SMD Crystal



Model: HC49SDLF

RoHS Compliant / Pb Free

Rev. 5/5/2014

Page 3 of 3

http://www.foxonline.com/need_a_sample.htm



All specifications subject to change without notice.

| • HC49SDLF Standard Crystals | | | | | |
|------------------------------|-----------|------------|------------|--------------|------|
| Part Number | Frequency | Tolerance | Stability | Temp Range | CL |
| FOXSDLF/036S | 3.579545 | +/- 30 ppm | +/- 50 ppm | -20 to +70 C | 18pF |
| FOXSDLF/0368-20 | 3.686400 | +/- 30 ppm | +/- 50 ppm | -20 to +70 C | 20pF |
| FOXSDLF/040 | 4.000000 | +/- 30 ppm | +/- 50 ppm | -20 to +70 C | 20pF |
| FOXSDLF/041 | 4.194304 | +/- 30 ppm | +/- 50 ppm | -20 to +70 C | 20pF |
| FOXSDLF/049-20 | 4.915200 | +/- 30 ppm | +/- 50 ppm | -20 to +70 C | 20pF |
| FOXSDLF/060-20 | 6.000000 | +/- 30 ppm | +/- 50 ppm | -20 to +70 C | 20pF |
| FOXSDLF/073-20 | 7.372800 | +/- 30 ppm | +/- 50 ppm | -20 to +70 C | 20pF |
| FOXSDLF/080-20 | 8.000000 | +/- 30 ppm | +/- 50 ppm | -20 to +70 C | 20pF |
| FOXSDLF/081-20 | 8.192000 | +/- 30 ppm | +/- 50 ppm | -20 to +70 C | 20pF |
| FOXSDLF/100-20 | 10.000000 | +/- 30 ppm | +/- 50 ppm | -20 to +70 C | 20pF |
| FOXSDLF/115-20 | 11.059200 | +/- 30 ppm | +/- 50 ppm | -20 to +70 C | 20pF |
| FOXSDLF/120-20 | 12.000000 | +/- 30 ppm | +/- 50 ppm | -20 to +70 C | 20pF |
| FOXSDLF/128-20 | 12.288000 | +/- 30 ppm | +/- 50 ppm | -20 to +70 C | 20pF |
| FOXSDLF/143-20 | 14.318180 | +/- 30 ppm | +/- 50 ppm | -20 to +70 C | 20pF |
| FOXSDLF/147-20 | 14.745600 | +/- 30 ppm | +/- 50 ppm | -20 to +70 C | 20pF |
| FOXSDLF/160-20 | 16.000000 | +/- 30 ppm | +/- 50 ppm | -20 to +70 C | 20pF |
| FOXSDLF/200-20 | 20.000000 | +/- 30 ppm | +/- 50 ppm | -20 to +70 C | 20pF |
| FOXSDLF/221-20 | 22.118400 | +/- 30 ppm | +/- 50 ppm | -20 to +70 C | 20pF |
| FOXSDLF/240F-20 | 24.000000 | +/- 30 ppm | +/- 50 ppm | -20 to +70 C | 20pF |
| FOXSDLF/245F-20 | 24.576000 | +/- 30 ppm | +/- 50 ppm | -20 to +70 C | 20pF |
| FOXSDLF/250F-20 | 25.000000 | +/- 30 ppm | +/- 50 ppm | -20 to +70 C | 20pF |
| FOXSDLF/0368R-20 | 3.686400 | +/- 30 ppm | +/- 50 ppm | -40 to +85 C | 20pF |
| FOXSDLF/040R | 4.000000 | +/- 30 ppm | +/- 50 ppm | -40 to +85 C | 20pF |
| FOXSDLF/060R-20 | 6.000000 | +/- 30 ppm | +/- 50 ppm | -40 to +85 C | 20pF |
| FOXSDLF/073R-20 | 7.372800 | +/- 30 ppm | +/- 50 ppm | -40 to +85 C | 20pF |
| FOXSDLF/080R-20 | 8.000000 | +/- 30 ppm | +/- 50 ppm | -40 to +85 C | 20pF |
| FOXSDLF/100R-20 | 10.000000 | +/- 30 ppm | +/- 50 ppm | -40 to +85 C | 20pF |
| FOXSDLF/115R-20 | 11.059200 | +/- 30 ppm | +/- 50 ppm | -40 to +85 C | 20pF |
| FOXSDLF/120R-20 | 12.000000 | +/- 30 ppm | +/- 50 ppm | -40 to +85 C | 20pF |
| FOXSDLF/143R-20 | 14.318180 | +/- 30 ppm | +/- 50 ppm | -40 to +85 C | 20pF |
| FOXSDLF/160R-20 | 16.000000 | +/- 30 ppm | +/- 50 ppm | -40 to +85 C | 20pF |
| FOXSDLF/200R-20 | 20.000000 | +/- 30 ppm | +/- 50 ppm | -40 to +85 C | 20pF |
| FOXSDLF/240FR-20 | 24.000000 | +/- 30 ppm | +/- 50 ppm | -40 to +85 C | 20pF |
| FOXSDLF/245FR-20 | 24.576000 | +/- 30 ppm | +/- 50 ppm | -40 to +85 C | 20pF |
| FOXSDLF/250FR-20 | 25.000000 | +/- 30 ppm | +/- 50 ppm | -40 to +85 C | 20pF |