

1

2

3

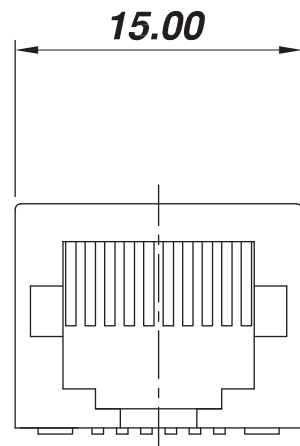
4

5

6

7

A



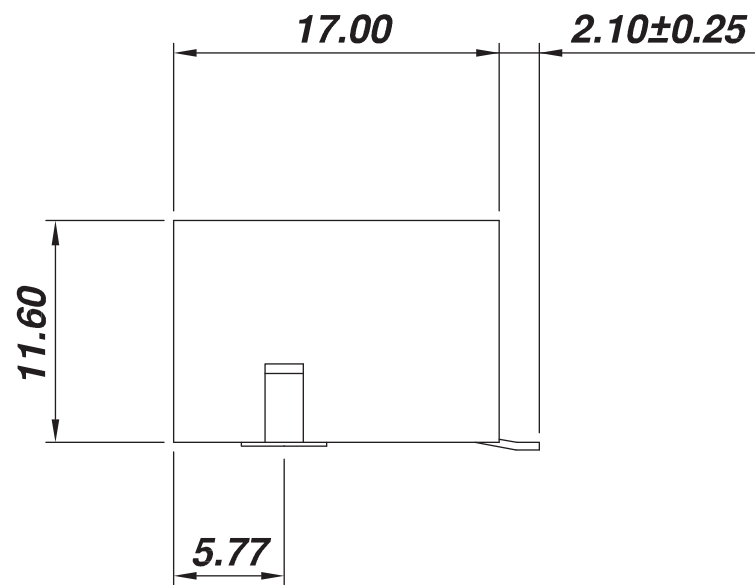
A

B

B

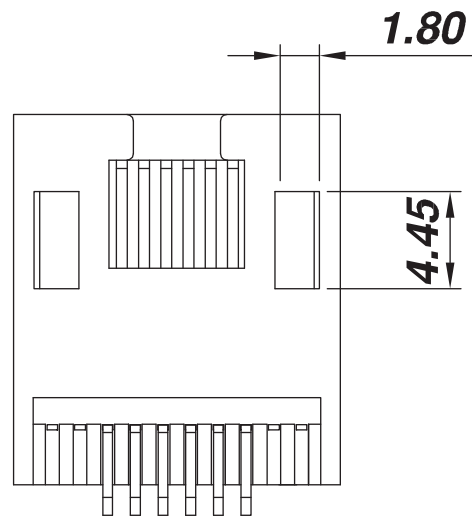
C

C



D

D

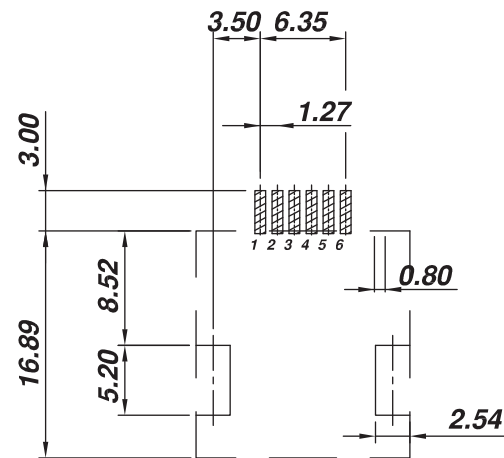


E

E

F

F

**Material:**

- Housing: Nylon (UL94V-0)
- Contacts: Phosphor Bronze
- Operating Temperature: -40°~+85°C

Electrical:

- Current Rating: 1.5A max.
- Voltage Rating: 120V AC

Scale	1:1
TOLERANCE	
X.X	±0.40
X.XX	±0.25
X.XXX	±0.15
Angle	±3°

RoHS
Compliant

Name

Item No.

A-2004-1-4-LP/SMT-B-R

Drawn

12.21.11

Chappell

Title Modular Jack - SMT Side by Side Stackable,
for PCB Mount, Low Profile, 6P/6C, 6μ" Gold plating

Drawing No.

rev01

Replace

Sheet

Modification

Date

Name

ASSMANN
components

1

2

3

4

5

6

7

H

H