

KR Electronics, Inc.

General Description

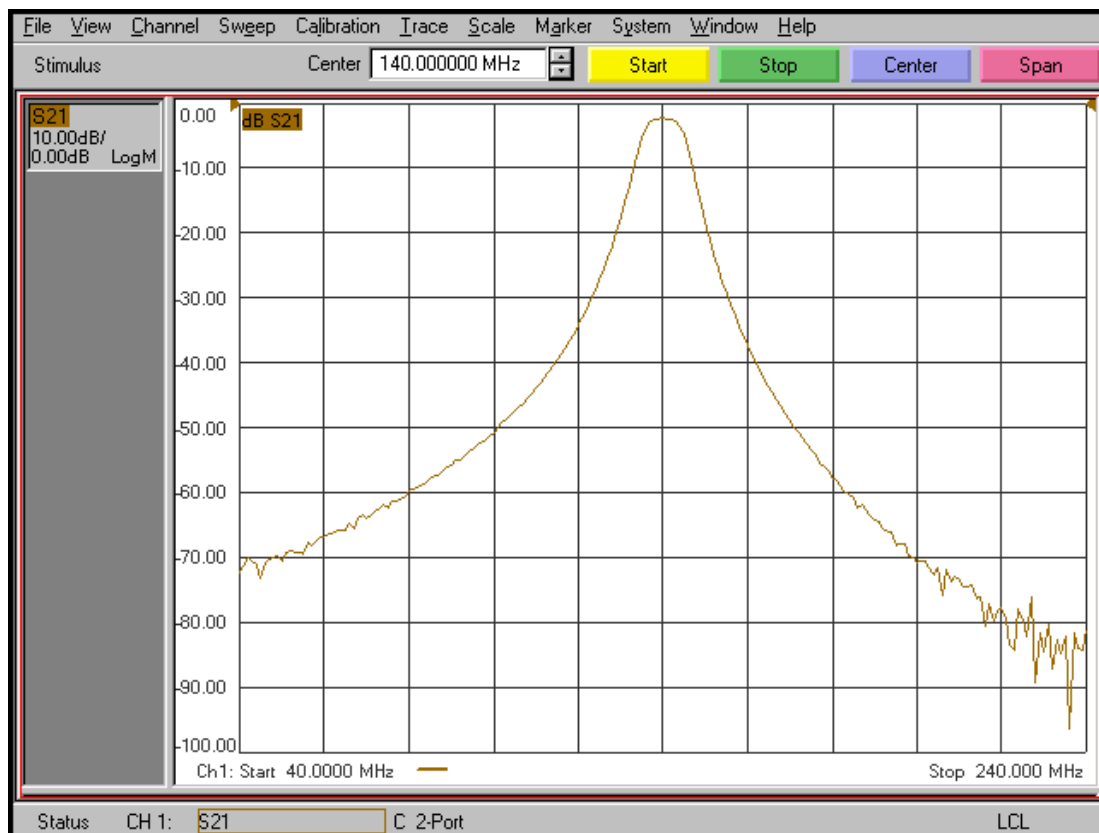
KR Electronics part number 3030-140-5-SMA is a 140 MHz bandpass filter. The filter has a minimum 1 dB bandwidth of 5 MHz. Other center frequencies and are bandwidths available. Please consult the factory.

Features

- 140 MHz Bandpass
- 1 dB Bandwidth 5 MHz min
- 50 Ω Source and Load
- SMA Connectors
- Surface Mount also available

Typical Performance

Overall Response (10 dB/div)



KR Electronics, Inc.
91 Avenel Street
Avenel, NJ 07001

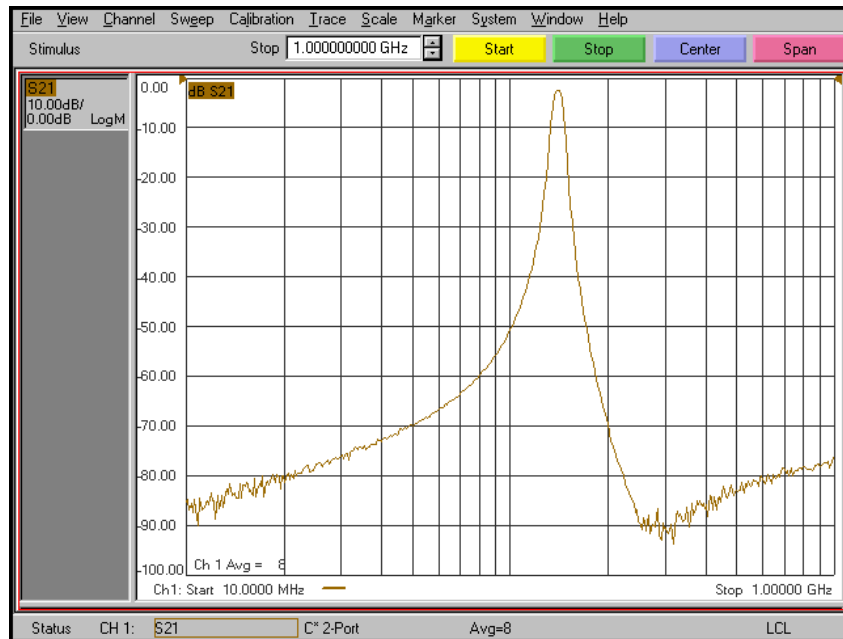
Web www.krfilters.com
Email sales@krfilters.com
Phone (732) 636-1900
Fax (732) 636-1982

Typical Performance

Passband Amplitude & Group Delay
(1 dB/div & 10 nsec/div)



Overall Response
(10 dB/div)

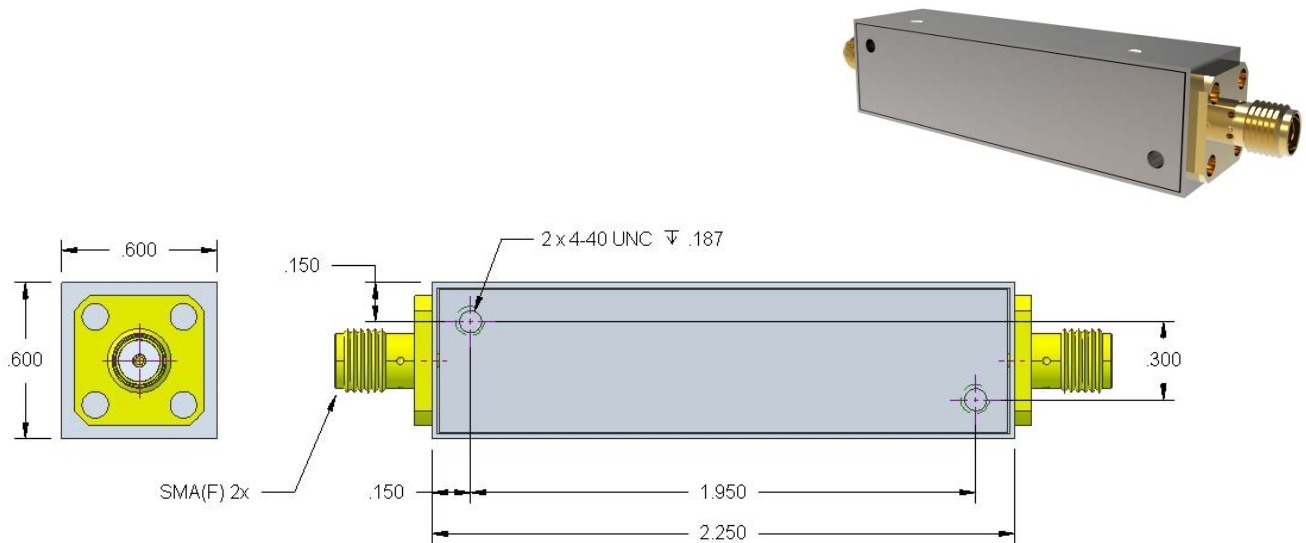


KR Electronics 3030-140-5-SMA

Specifications

Parameter	Specification	
Filter type	Bandpass	
Center Frequency	140 MHz	
Insertion Loss	3.5 dB max	2.25 dB typical
1 dB Bandwidth	5 MHz min	7.3 MHz typical
Rejection at 100 MHz & 180 MHz	40 dB min	
3 dB Bandwidth	10 MHz typical	
20 dB Bandwidth	24 MHz typical	
40 dB Bandwidth	52 MHz typical	
60 dB Bandwidth	114 MHz typical	
Source and Load	50 Ω	

Physical Dimensions



Notes:

1. Dimensions in inches
2. Rectangular case
3. Also available in a surface mount package. See part number 3030-140-5

KR Electronics, Inc.
91 Avenel Street
Avenel, NJ 07001

Web www.krfilters.com
Email sales@krfilters.com
Phone (732) 636-1900
Fax (732) 636-1982