

KR Electronics, Inc.

General Description

KR Electronics part number 3030-140-10 is a 140 MHz band-pass filter. The filter has a minimum 1 dB bandwidth of 10 MHz. Other center frequencies and are bandwidths available. Please consult the factory.

Features

- 140 MHz Bandpass
- 1 dB Bandwidth 10 MHz min
- 50 Ω Source and Load
- Surface Mount

Typical Performance

Overall Response (10 dB/div)



KR Electronics, Inc.
91 Avenel Street
Avenel, NJ 07001

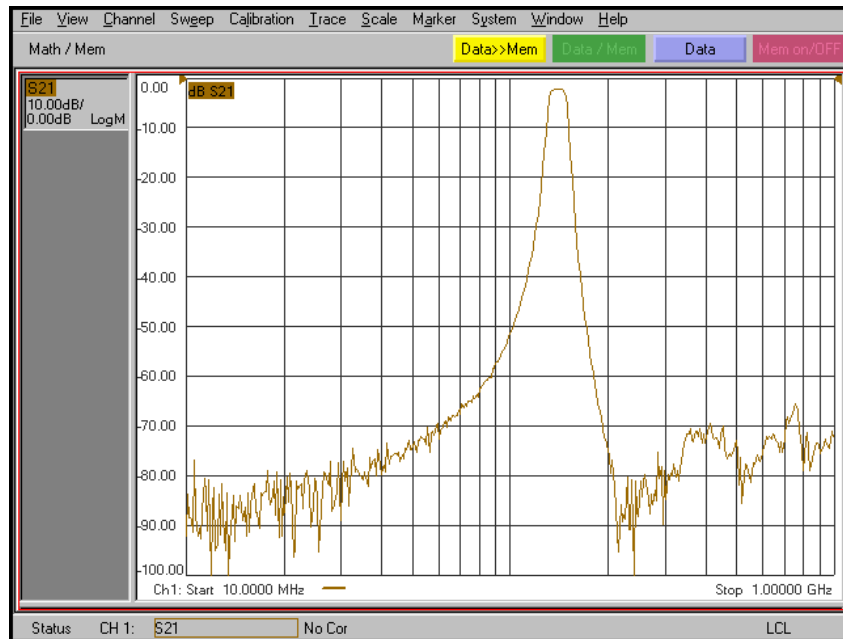
Web www.krfilters.com
Email sales@krfilters.com
Phone (732) 636-1900
Fax (732) 636-1982

Typical Performance

Passband Amplitude & Group Delay (1 dB/div & 10 nsec/div)



Overall Response (10 dB/div)



KR Electronics, Inc.
91 Avenel Street
Avenel, NJ 07001

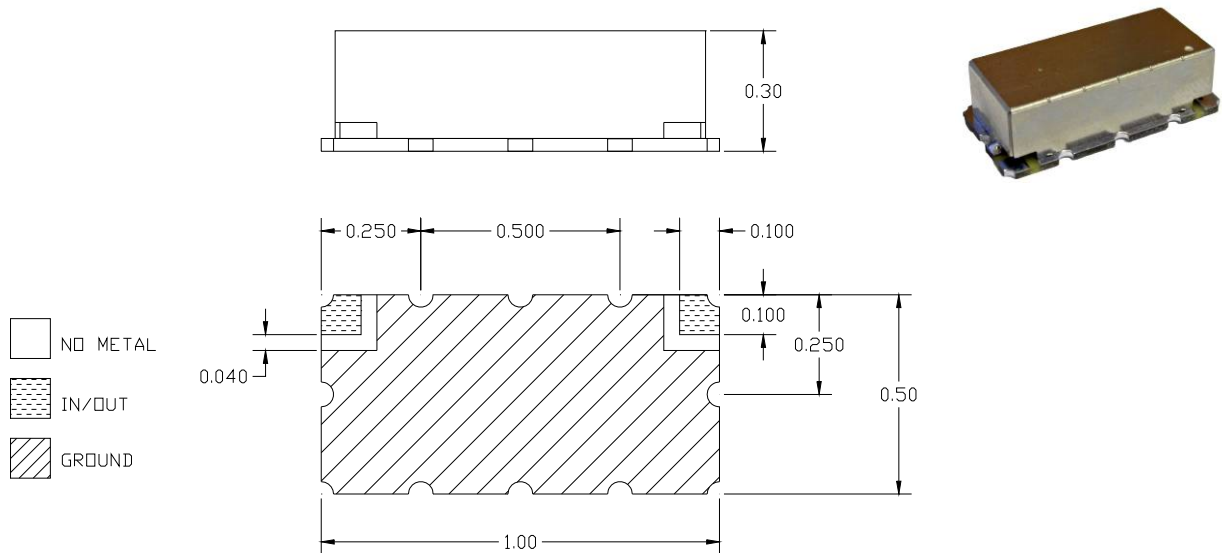
Web: www.krfilters.com
Email: sales@krfilters.com
Phone: (732) 636-1900
Fax: (732) 636-1982

KR Electronics 3030-140-10

Specifications

Parameter	Specification	
Filter type	Bandpass	
Center Frequency	140 MHz	
Insertion Loss	3 dB max	2 dB typical
1 dB Bandwidth	10 MHz min	14 MHz typical
Rejection at 100 MHz & 180 MHz	40 dB min	
3 dB Bandwidth	17.9 MHz typical	
20 dB Bandwidth	31.1 MHz typical	
40 dB Bandwidth	54.7 MHz typical	
60 dB Bandwidth	98 MHz typical	
Source and Load	50 Ω	

Physical Dimensions



Notes:

1. Surface mount package
2. Dimensions in inches
3. Max reflow temperature 230° C for 10 sec
4. If boards are cleaned after installation units must be completely dried

KR Electronics, Inc.
91 Avenel Street
Avenel, NJ 07001

Web www.krfilters.com
Email sales@krfilters.com
Phone (732) 636-1900
Fax (732) 636-1982