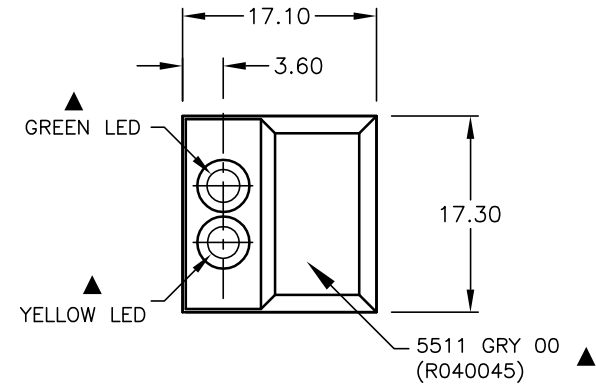
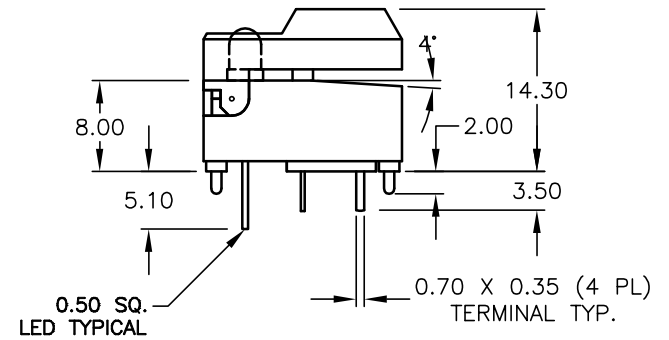


RECOMMENDED P.C.B. LAYOUT

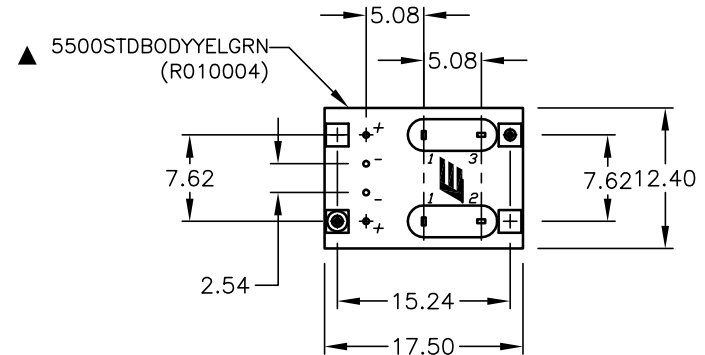
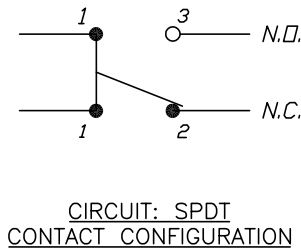


LED SPECIFICATION	SYMBOL	YELLOW L.E.D			GREEN L.E.D			UNITS
		MAX.	MIN.	TYP.	MAX.	MIN.	TYP.	
POWER DISSIPATION	P _D	100	--		100	--		mW
FORWARD VOLTAGE	V _F	2.8	1.8	2.1	2.8	1.9	2.2	V
REVERSE VOLTAGE	V _R	5			5			V
EMISSION WAVELENGTH	λ _P			590			570	nm
AVE. FORWARD CURRENT	I _{AF}	30	--		30	--		mA
LUMINOUS INTENSITY	I _v		5.0	12		6.0	15	mcd



NOTES:

1. ALL DIMENSIONS IN MM
2. GENERAL TOLERANCE: X.X=±0.4
X.XX=±0.25
3. TERM. NO. FOR REF. ONLY
4. RATING: 12mA @24V
5. FIXED CONTACT/MOVING CONTACT:
COPPER ALLOY W/GOLD PLATE
6. CONTACT BOUNCE: <5m SEC.
7. CONTACT RESISTANCE: <50milli-OHMS
8. ▲ DENOTES CRITICAL PARAMETER.



E-SWITCH®

B	13513	CHANGE PART NUMBER	10/7/03	AR
A	13492	RELEASED FOR PRODUCTION	9/30/03	AR
REV.	ECN No.	DESCRIPTION	DATE	CHKD

TITLE				
5511MGRYEYELGRN				
SCALE	DATE	DR	DWG	REV
1.5:1	9/30/03	AR	XR0230P	B

THE INFORMATION CONTAINED IN THIS DOCUMENT IS PROPRIETARY TO E-SWITCH AND IS NOT TO BE COPIED OR TRANSFERRED