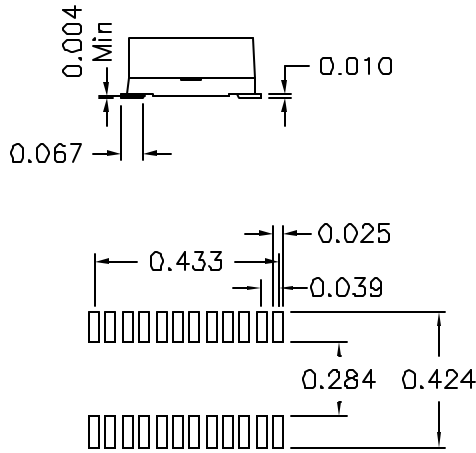
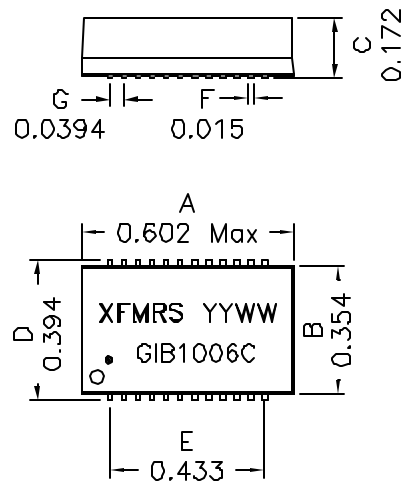
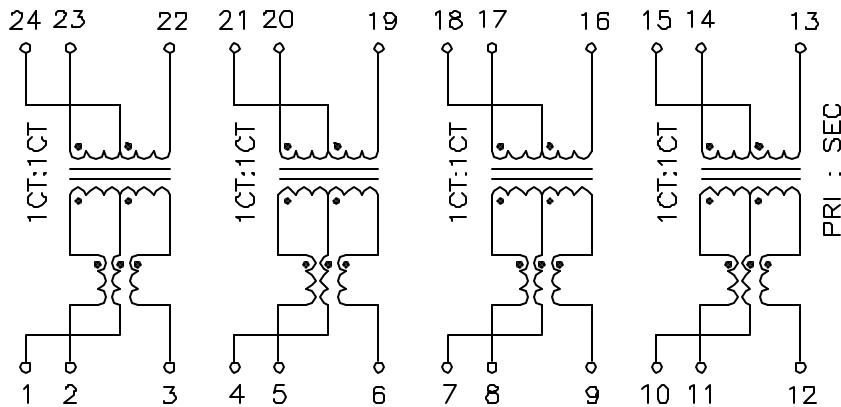


1. Mechanical Dimensions:



SUGGESTED PAD LAYOUT

2. Schematic:



DOC REV: A/1

3. Electrical Specifications: @25°C

- ISOLATION: 1500 Vrms
- TURNS RATIO: (PRI/SEC) 1CT:1CT ±5%
- OCL: 350uH MIN @100KHz 100mV 8mADC
- Q: 5 Min @10KHz 50mV
- INSERTION LOSS: -1.0dB MAX @1-100MHz
- RETURN LOSS: -18dB Min @1-30MHz
 - 14.4dB Min @40MHz
 - 13.1dB Min @50MHz
 - 12dB Min @60-80MHz
 - 10dB Min @100MHz
- Differential to Common Mode Rejection:
 - 40dB Min @30MHz
 - 35dB Min @60MHz
 - 30dB Min @100MHz
- Crosstalk: -45dB Min @30MHz
 - 40dB Min @60MHz
 - 35dB Min @100MHz
- DCR: 1/2 Pri: 0.90 Ohms Max each
- DCR: 1/2 Sec: 0.60 Ohms Max each

Notes:

1. Solderability: Leads shall meet MIL-STD-202G, Method 208H for solderability.
2. Flammability: UL94V-0
3. ASTM oxygen index: > 28%
4. Insulation System: Class F 155°C. UL file E151556
5. Operating Temperature Range: All listed parameters are to be within tolerance from -40°C to +85°C
6. Storage Temperature Range: -25°C to +125°C
7. Aqueous wash compatible
8. SMD Lead Coplanarity: ±0.004"(0.102mm)
9. Electrical and mechanical specifications 100% tested
10. RoHS Compliant Component

XFMRS Inc www.XFMRS.com		Title: 1000BASE-T Module	
UNLESS OTHERWISE SPECIFIED TOLERANCES: .xxx ±0.010 Dimensions in INCH	P/N: XFGIB1006C		REV. A
	DWN.	Feng	Apr-27-12
	CHK.	YK Liao	Apr-27-12
SHEET 1 OF 1	APP.	Joe Huff	Apr-27-12