

A. Features:

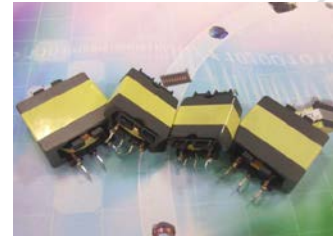
1. Low profile to achieve low core loss and high efficiency.
2. RoHS compliant and Halogen Free.

B. Application:

1. AV equipment, digital consumer electronics

C. Electrical Specifications:

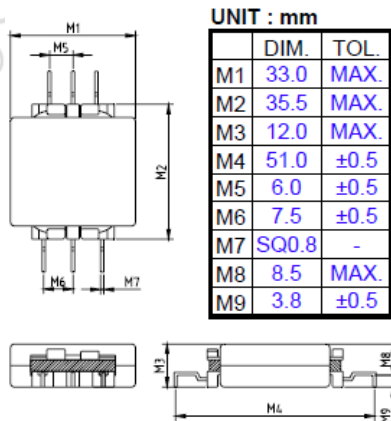
| Model NO | Output Power (W) | Mount Method | Height (mm) Max. |
|--------------|------------------|--------------|------------------|
| TRQ3212HXXXX | 170 | Drop-in | 12 |
| TRQ3213HXXXX | 170 | Drop-in | 14 |
| TRQ2508HXXXX | 130 | Drop-in | 10.5 |
| TRQ2510HXXXX | 130 | Drop-in | 11.0 |



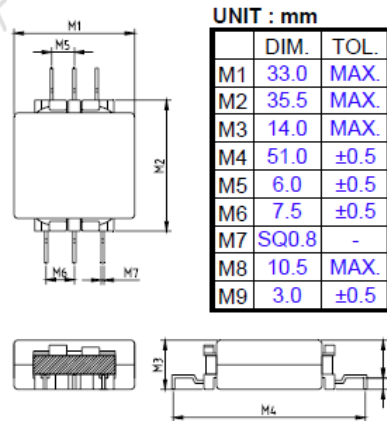
Note: 1. Input voltage E_{AC} (V): 85~264
 2. Frequency (KHz) Min.: 65

D. Drawing:

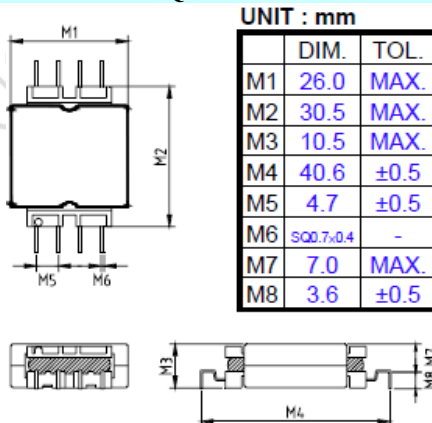
TRQ3212HXXXX



TRQ3213HXXXX



TRQ2508HXXXX



TRQ2510HXXXX

