

Applications

- Small Cell / Picocell
- Enterprise Femtocell
- Bands 1, 2, 3, 4, 10 and 25

Product Features

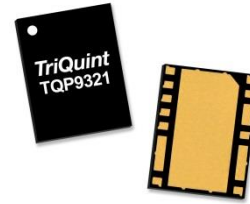
- Frequency Range: 1.8 – 2.17 GHz
- Covers Multiple Bands with One Component
- Fully Integrated, 2-Stage Power Amplifier
- Internally Matched 50 Ω Input/Output
- ACLR: –50 dBc ACLR at $P_{avg} = +27$ dBm
- Gain: 30 dB
- High Efficiency: 27% at +27 dBm
- Quiescent Current: 110 mA
- Integrated Bias Control and Temp. Comp Circuit
- Single Supply Voltage: +5 V
- Lead-free / RoHS compliant
- POE Capable

General Description

The TQP9321 is a high-efficiency, two-stage power amplifier with integrated bias and temperature control circuits in a low-cost surface-mount package. This 0.5 watt power amplifier is ideal for small cell base station applications.

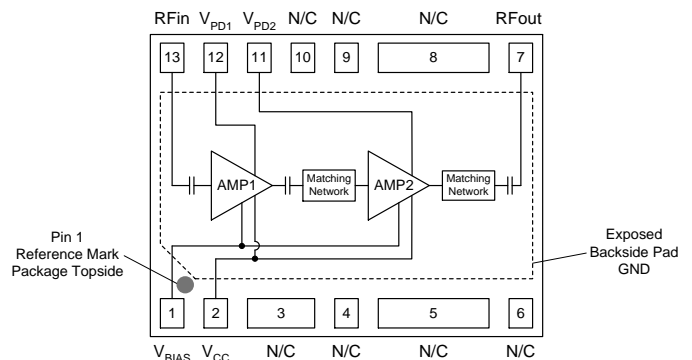
TQP9321 provides high gain (30 dB) and +27 dBm linear power with pre-distortion correction over the 1.8 – 2.2 GHz frequency range for bands 1, 2, 3, 4, 10 and 25. With pre-distortion, the amplifier is able to achieve –50 dBc ACLR at +27 dBm output power using an LTE signal.

The TQP9321 integrates two high performance amplifier stages to allow for a compact system design and requires very few external components for operation. The amplifier is bias adjustable allowing the amplifier's power consumption to be optimized for specific applications. The TQP9321 is available in a lead-free/RoHS-compliant 3.5 x 4.5 mm surface mount package and is pin-compatible to the 0.7 – 1.0 GHz TQP9309 and 2.5 – 2.7 GHz TQP9326.



3.5 x 4.5 mm Leadless SMT Package

Functional Block Diagram



Pin Configuration

Pin No.	Label
1	V_{BIAS}
2	V_{CC}
3, 4, 5, 6, 8, 9, 10	N/C
7	RFOut
11	V_{PD2}
12	V_{PD1}
13	RFIn
Backside Pad	RF/DC Ground

Ordering Information

Part No.	Description
TQP9321	0.5 W Small Cell PA
TQP9321-PCB	Evaluation board

Standard T/R size: 2500 pcs. on a 13" reel

Absolute Maximum Ratings

Parameter	Rating
Storage Temperature	-40 to 150 °C
Supply Voltage (V _{CC})	+6 V
RF Input Power, CW, 50 Ω, T=25 °C	+10 dBm

Operation of this device outside the parameter ranges given above may cause permanent damage.

Recommended Operating Conditions

Parameter	Min	Typ	Max	Units
V _{DD}		+5		V
T _{AMB}	-40	25	+85	°C
T _j for >10 ⁶ hours MTTF			+175	°C

Electrical specifications are measured at specified test conditions. Specifications are not guaranteed over all recommended operating conditions.

Electrical Specifications

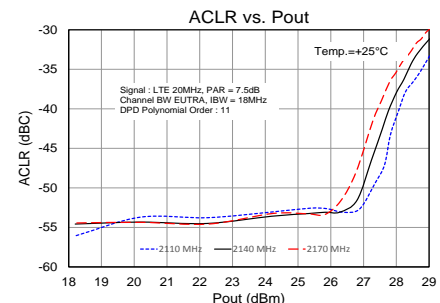
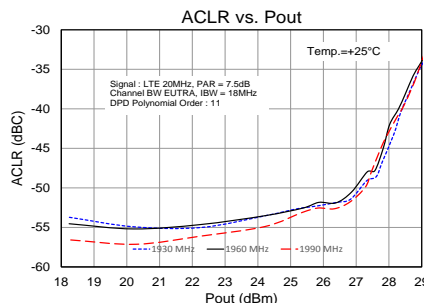
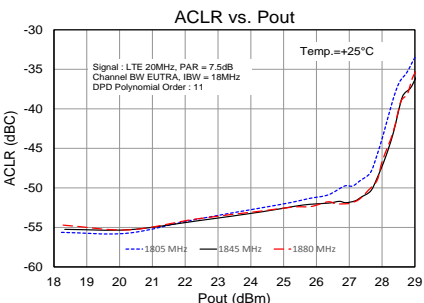
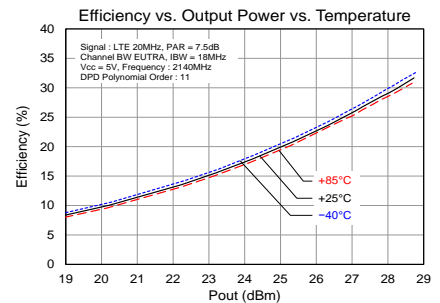
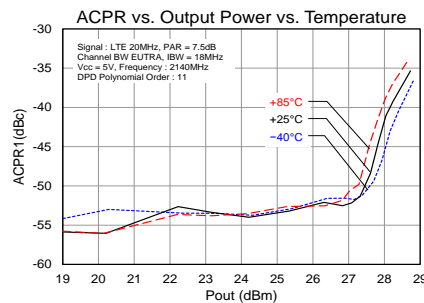
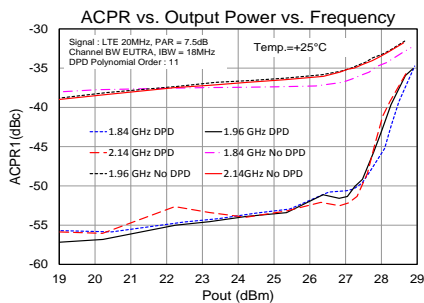
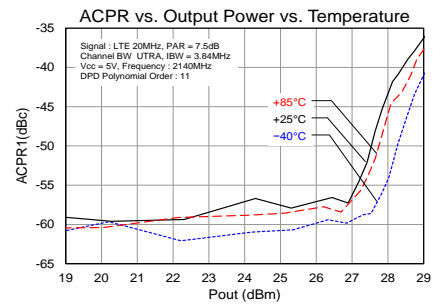
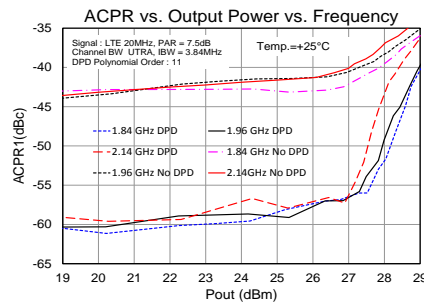
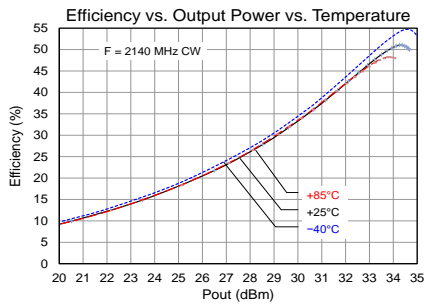
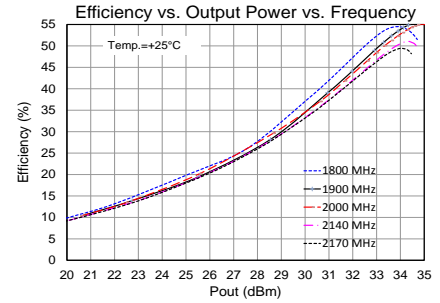
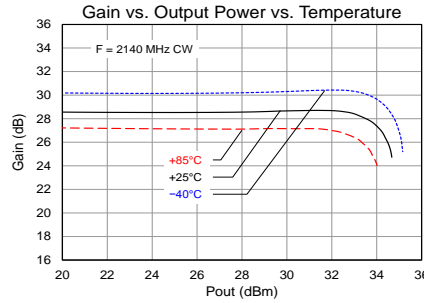
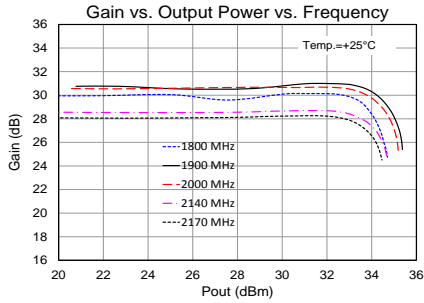
Test conditions unless otherwise noted: V_{CC} = +5 V, V_{PD1} = V_{PD2} = +5 V, Temp. = +25 °C.

Parameter	Conditions	Min	Typ	Max	Units
Operational Frequency Range		1800		2170	MHz
Output Channel Power			+27		dBm
Gain	1805 – 1880 MHz	28.1	30		dB
	1930 – 1990 MHz	27.1	29		dB
	2110 – 2170 MHz	27.1	29	30.8	dB
Gain Temperature Coefficient			-0.024		dB/°C
ACLR Uncorrected	See note 1		-35		dBc
ACLR Corrected	See note 1		-50		dBc
Power Added Efficiency	1805 – 1880 MHz, See note 1		29		%
	1930 – 1990 MHz, See note 1		28		%
	2110 – 2170 MHz, See note 1		27		%
Output P3dB	1805 – 1880 MHz	+33.6	+34.7		dBm
	1930 – 1990 MHz	+33.6	+34.7		dBm
	2110 – 2170 MHz	+33.6	+34.7		dBm
P3dB Temperature Coefficient			-0.008		dBm/°C
Noise Figure			3.5		dB
Quiescent Current, I _{CC}		90	110	136	mA
Reference Current, I _{PD}			2		mA
Operational Current, I _{CC}	Pout = +27 dBm		340		mA
VSWR Survivability	Pout = +26 dBm Signal : WCDMA 1C, PAR = 8 dB	10:1			–
Thermal Resistance, θ _{jc}	Module (junction to case)		27		°C/W

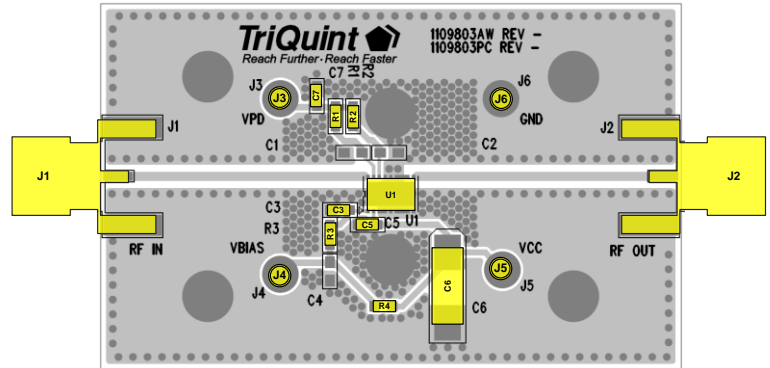
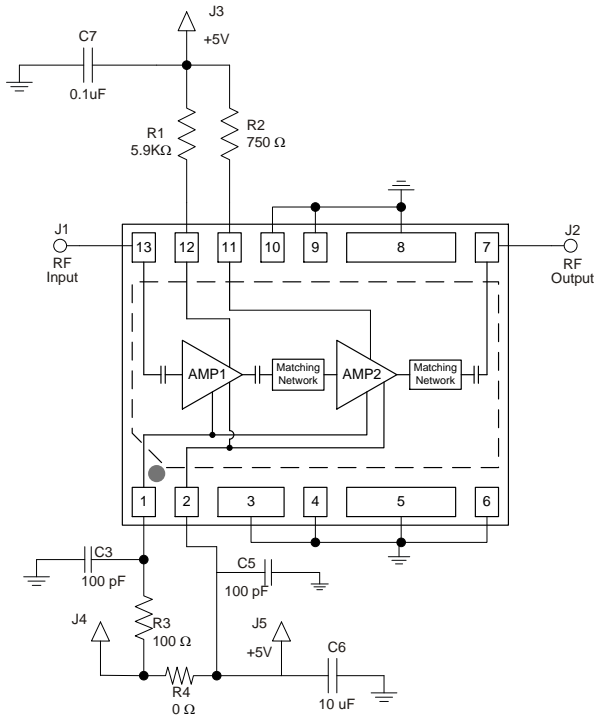
Notes:

- Using LTE signal, 20 MHz/Carrier, IBW = 18.02 MHz, PAR 7.5 dB, Pout = +27 dBm.
- Items in min/max columns in bold at guaranteed by production test at 2.14 GHz.
- Items in min/max columns that are not a bold font are guaranteed by design characterization.

Performance Plots



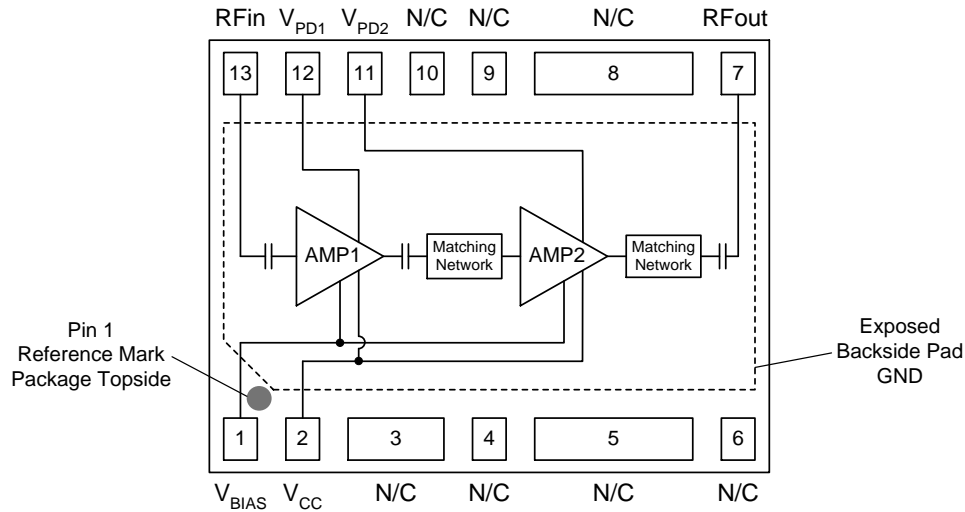
TQP9321-PCB Evaluation Board



Bill of Material TQP9321-PCB

Ref Des	Value	Description	Manuf.	Part Number
n/a	n/a	Printed Circuit Board		1109803
U1	n/a	High Efficiency 2-stage PA	TriQuint	TQP9321
R4	0 Ω	Resistor, Chip, 0603, 5%	various	
R3	100 Ω	Resistor, Chip, 0603, 1%	various	
C7	0.1 uF	Capacitor, Chip, 0603, 5%	various	
C6	10 uF	Capacitor, Chip, 6032, 10%, Tantalum	various	
C3, C5	100 pF	Capacitor, Chip, 0603, NPO/COG, 5%	various	
R2	750 Ω	Resistor, Chip, 0603, 5%, 1/16W	various	
R1	5.9 kΩ	Resistor, Chip, 0603, 5%, 1/16W	various	
C1, C2, C4		Do Not Place		

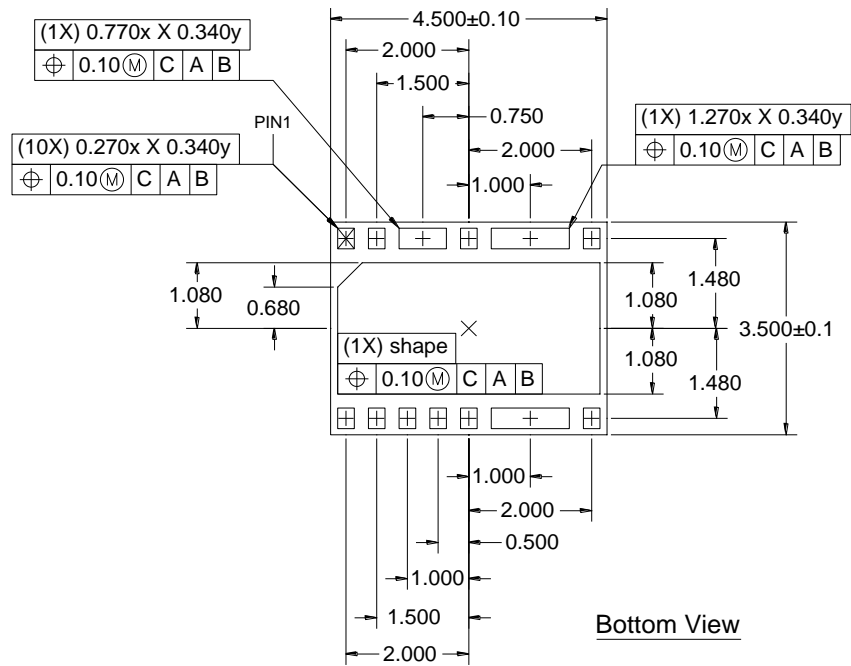
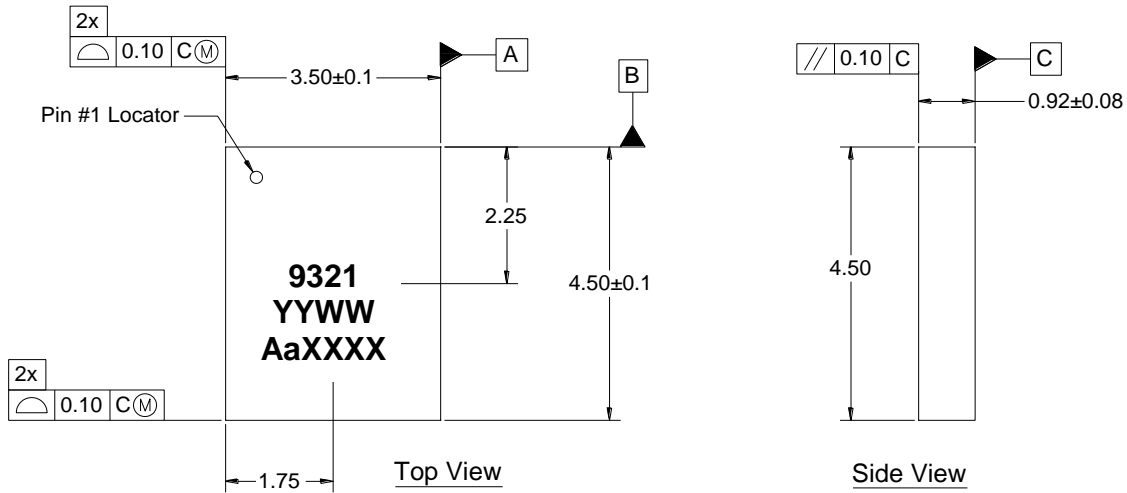
Pin Configuration and Description



Pin No.	Label	Description
1	V _{BIAS}	Provides reference voltage for internal active biasing circuit
2	V _{CC}	DC voltage supply connection
3, 4, 5, 6, 8, 9, 10	GND/NC	No internal connection. Provide grounded land pads for PCB mounting integrity.
7	RFout	RF output pin. The DC is internally blocked at this pin.
11	V _{PD2}	Power down for Amp 1. This voltage adjusts for the current draw in Amp 1.
12	V _{PD1}	Power down for Amp 2. This voltage adjusts for the current draw in Amp 2.
13	RFin	RF input pin. The DC is internally blocked at this pin.
Backside Pad	RF/DC GND	RF/DC ground. Use recommended via pattern to minimize inductance and thermal resistance; see PCB Mounting Pattern for suggested footprint.

Package Marking and Dimensions

Marking: Part Identifier – 9321
Assembly Code - YYWW
Lot code –AaXXXX



Notes:

1. All dimensions are in millimeters. Angles are in degrees.
2. Except where noted, this part outline conforms to JEDEC standard MO-229.
3. Dimension and tolerance formats conform to ASME Y14.4M-1994.
4. The terminal #1 identifier and terminal numbering conform to JESD 95-1 SPP-012.

Product Compliance Information

ESD Sensitivity Ratings



Caution! ESD-Sensitive Device

ESD Class: 2
Volt. Range: ≥ 2000 V to < 4000 V
Test: Human Body Model (HBM)
Standard: ESDA/JEDEC Standard JS-001-2012

ESD Class: C3
Volt. Range: ≥ 1000 V
Test: Charged Device Model (CDM)
Standard: JEDEC Standard JESD22-C101F

MSL Rating

MSL Rating: MSL3
Test: 260 °C convection reflow
Standard: JEDEC Standard IPC/JEDEC J-STD-020

Solderability

Compatible with both lead-free (260 °C maximum reflow temperature) and tin/lead (245 °C maximum reflow temperature) soldering processes.

Contact plating: Electrolytic plated Au over Ni

RoHS Compliance

This part is compliant with EU 2002/95/EC RoHS directive (Restrictions on the Use of Certain Hazardous Substances in Electrical and Electronic Equipment).

This product also has the following attributes:

- Lead Free
- Halogen Free (Chlorine, Bromine)
- Antimony Free
- TBBP-A (C₁₅H₁₂Br₄O₂) Free
- PFOS Free
- SVHC Free

Contact Information

For the latest specifications, additional product information, worldwide sales and distribution locations:

Web: www.triquint.com

Tel: 877-800-8584

Email: customer.support@qorvo.com

For information about the merger of RFMD and TriQuint as Qorvo:

Web: www.qorvo.com

For technical questions and application information:

Email: sjcapplications.engineering@qorvo.com

Important Notice

The information contained herein is believed to be reliable. TriQuint makes no warranties regarding the information contained herein. TriQuint assumes no responsibility or liability whatsoever for any of the information contained herein. TriQuint assumes no responsibility or liability whatsoever for the use of the information contained herein. The information contained herein is provided "AS IS, WHERE IS" and with all faults, and the entire risk associated with such information is entirely with the user. All information contained herein is subject to change without notice. Customers should obtain and verify the latest relevant information before placing orders for TriQuint products. The information contained herein or any use of such information does not grant, explicitly or implicitly, to any party any patent rights, licenses, or any other intellectual property rights, whether with regard to such information itself or anything described by such information.

TriQuint products are not warranted or authorized for use as critical components in medical, life-saving, or life-sustaining applications, or other applications where a failure would reasonably be expected to cause severe personal injury or death.