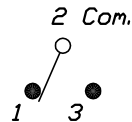


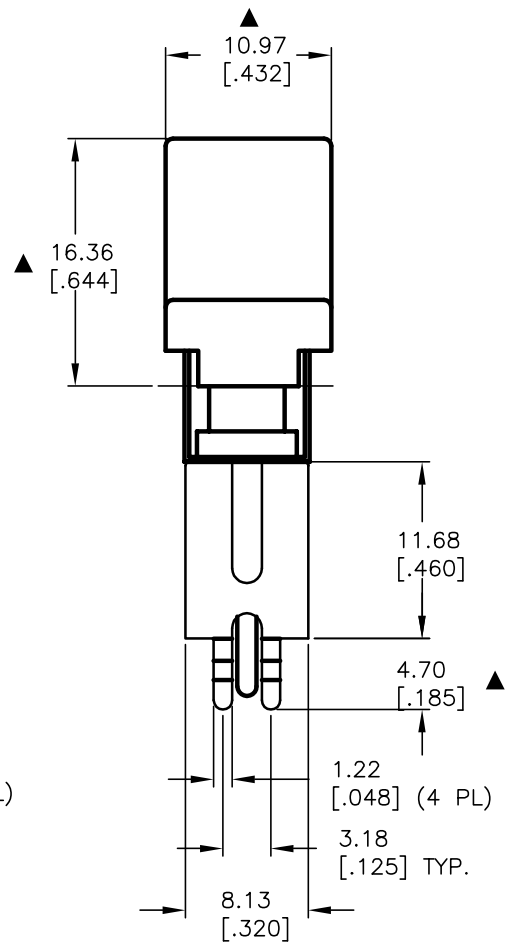
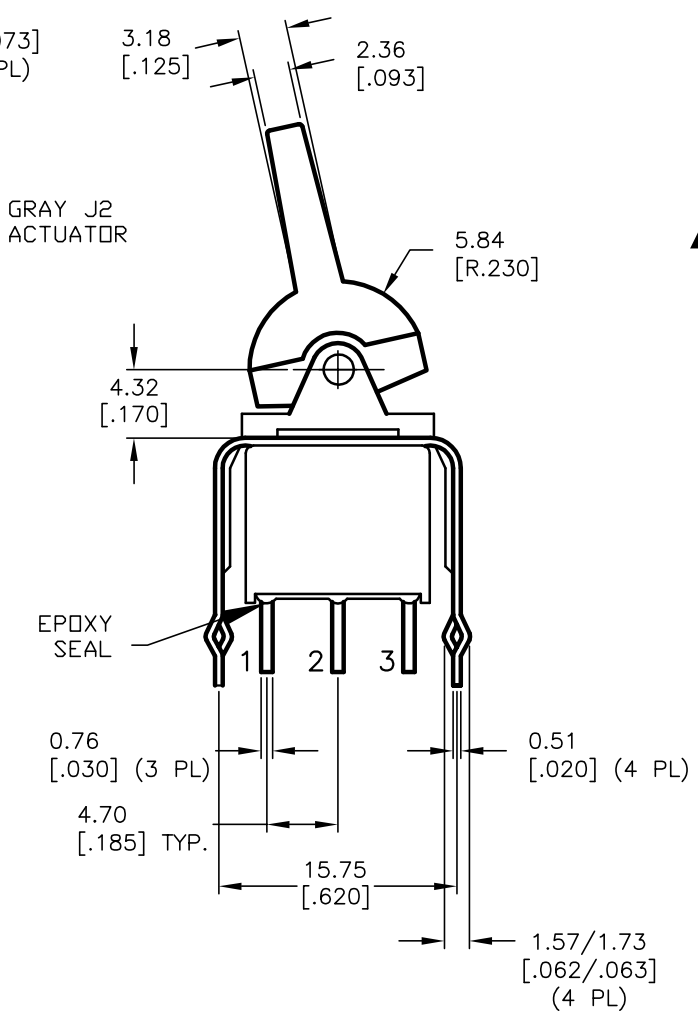
RECOMMENDED P.C.B. LAYOUT



CIRCUIT: SPDT

SWITCH FUNCTION		
POS. 1	POS. 2	POS. 3
ON	NONE	(ON)
2-3	OPEN	2-1

( ) = Momentary



- NOTES:
- ALL DIMENSIONS IN MM [INCH]
  - GENERAL TOLERANCE: X.X=±0.4  
X.XX=±0.25
  - TERM. NOS. FOR REFERENCE ONLY.
  - RATING: 0.4VA MAX. @20V MAX. (AC or DC)
  - PLATING GOLD PLATED COPPER ALLOY
  - OPERATING TEMP: -30°C TO +85°C
  - MECHANICAL LIFE: 30,000 MAKE-AND-BREAK CYCLES
  - ▲ DENOTES CRITICAL PARAMETER.

**E-SWITCH®**

A	14461	RELEASED FOR PRODUCTION	11/5/04	AR
REV.	ECN No.	DESCRIPTION	DATE	CHKD

TITLE  
300AWSP2J6BLKVS21RE

THE INFORMATION CONTAINED IN THIS DOCUMENT IS PROPRIETARY TO E-SWITCH AND IS NOT TO BE COPIED OR TRANSFERRED

SCALE 2:1	DATE 11/5/04	DR AR	DWG T301498	REV A
--------------	-----------------	----------	----------------	----------