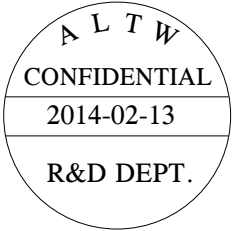
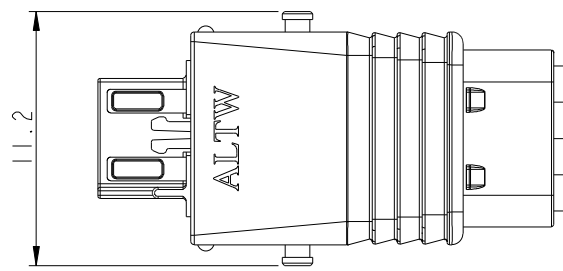
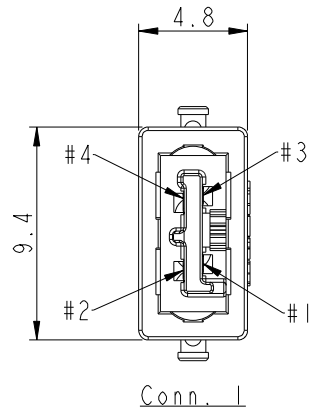
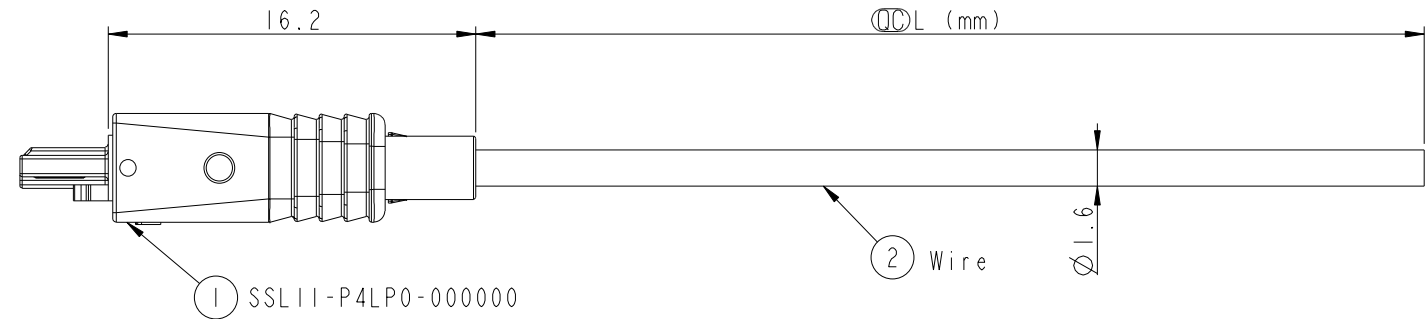


THIS DOCUMENT IS SUBJECT TO CHANGE WITHOUT NOTICE. IT IS CONFIDENTIAL AND A PROPERTY OF AMPHENOL LTW. DISCLOSURE TO THIRD PARTY HAS TO BE AUTHORIZED BY AMPHENOL LTW.

REV.	ECN NO.	DATE	SIGN	DESCRIPTION
A	Initial Release	2014-02-13	Fisher	Initial Release



Yellow
Orange
Red
Brown

SSLII-P4LP0-022AXX

- 01: L=100±20 mm.
- 02: L=200±20 mm.
- 04: L=400±25 mm.
- Standard Length is 400mm
- Wire Length Range(L): 100~9900mm
- 22: 22AWG
- LOCK&LATCH OPTION
- 0: W/O LOCK

- Notes:
- * (C) Important Dimensions To Check.
 - * Housing: Thermoplastic, UL94V-0, Natural White.
 - * Terminal: Copper Alloy, Gold Plated.
 - * Hood: Thermoplastic, UL94V-0, Natural White.
 - * SR Mold: PP, UL94V-0, Natural White.
 - * Wire: UL1430 22AWG, Brown/Red/Orange/Yellow
 - * Wire Length Tolerance: ±5%mm.

4	Yellow	黃
3	Orange	橙
2	Red	紅
1	Brown	棕
Conn. 1	Wire Color	
Pin Out		

UNIT:mm		
TOLERANCE	.X ±0.25	
	.XX ±0.1	
	.XXX ±0.05	
ANGLES	±1°	

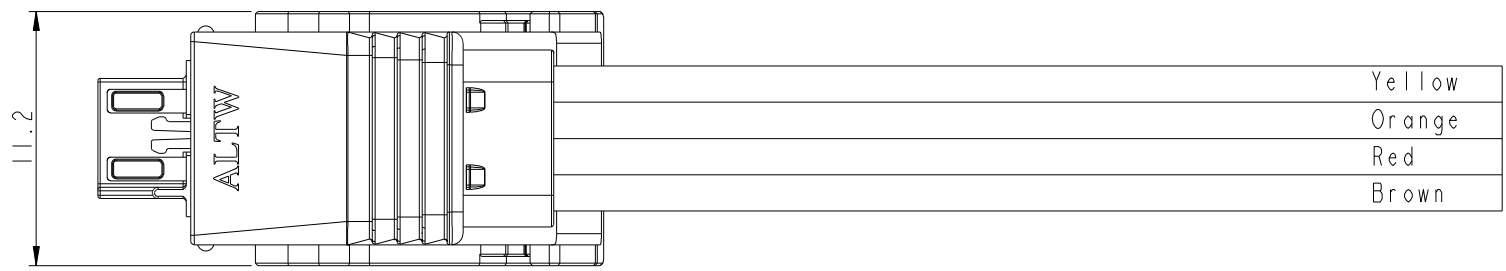
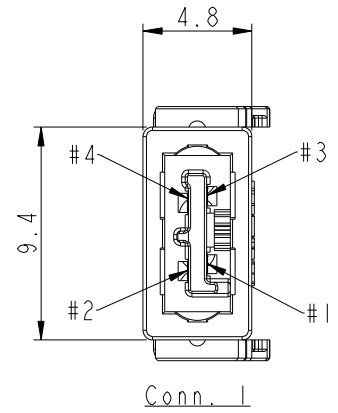
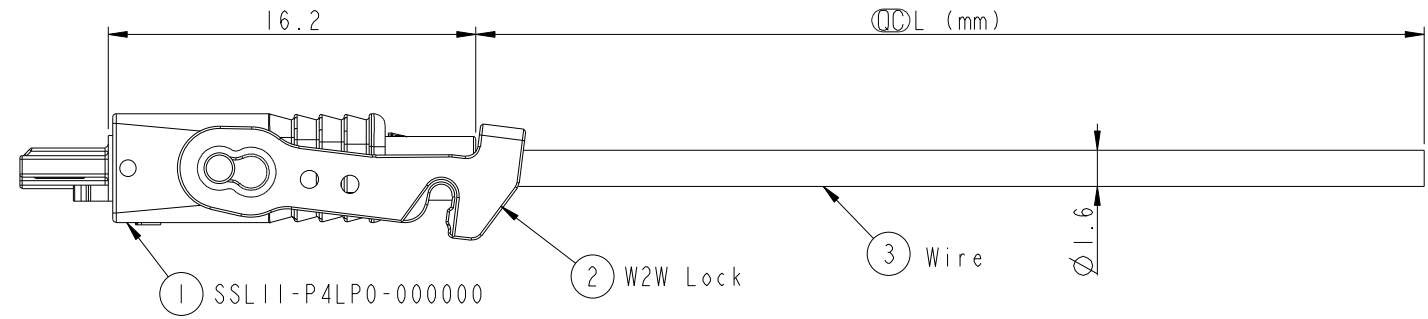
TITLE SSLII.1 WIRE ASS'Y, W/O LOCK 4-POS, PLUG TO OPEN			
SCALE 3:1	SIZE A4	SHEET 1 OF 1	
REV. A	WC-REV. A.1	(C) Inspection item	

Amphenol LTW
安費諾亮泰企業股份有限公司

ITEM NO	DRAWN BY Fisher_Wang	DATE 2014-02-13
DWG NO SSLII-P4LP0-022AXX	CHECKED BY Ivan_Lin	DATE 2014-02-13
CUSTOMER ALTW	APPROVED BY Kevin_Hu	DATE 2014-02-13

THIS DOCUMENT IS SUBJECT TO CHANGE WITHOUT NOTICE. IT IS CONFIDENTIAL AND A PROPERTY OF AMPHENOL LTW. DISCLOSURE TO THIRD PARTY HAS TO BE AUTHORIZED BY AMPHENOL LTW.

REV.	ECN NO.	DATE	SIGN	DESCRIPTION
A	Initial Release	2014-02-13	Fisher	Initial Release



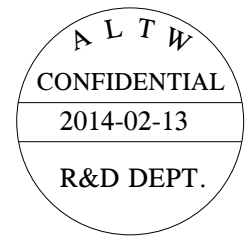
SSLII-P4LP0-W22AXX

4	Yellow	黃
3	Orange	橙
2	Red	紅
1	Brown	棕
Conn. I	Wire Color	
Pin Out		

01: L=100±20 mm.
02: L=200±20 mm.
04: L=400±25 mm.
Standard Length is 400mm
Wire Length Range(L): 100~9900mm

22: 22AWG

LOCK&LATCH OPTION
W: WITH W2W LOCK



Notes:

- * (C) Important Dimensions To Check.
- * Housing: Thermoplastic, UL94V-0, Natural White.
- * Terminal: Copper Alloy, Gold Plated.
- * Hood: Thermoplastic, UL94V-0, Natural White.
- * SR Mold: PP, UL94V-0, Natural White.
- * W2W Lock: Thermoplastic, UL94V-0, Natural White.
- * Wire: UL1430 22AWG, Brown/Red/Orange/Yellow
- * Wire Length Tolerance: ±5%mm.

UNIT:mm		TITLE SSLII WIRE ASS'Y, WITH W2W LOCK 4-POS, PLUG TO OPEN		<h1>Amphenol LTW</h1> <h2>安費諾亮泰企業股份有限公司</h2>		ITEM NO	DRAWN BY	DATE
		SCALE 3:1	SIZE A4			SHEET 1 OF 1	DWG NO SSLII-P4LP0-W22AXX	CHECKED BY Ivan_Lin
TOLERANCE .X ±0.25 .XX ±0.1 .XXX ±0.05 ANGLES ±1°		REV. A	WC-REV. A.5	(C) Inspection item		CUSTOMER ALTW	APPROVED BY Kevin_Hu	DATE 2014-02-13

