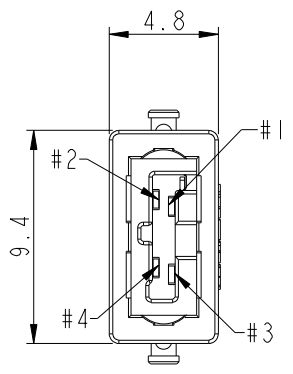
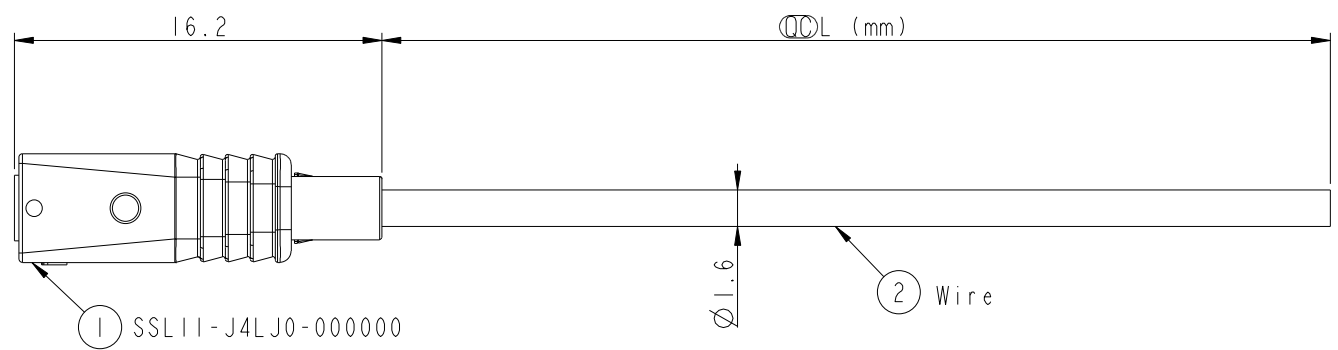
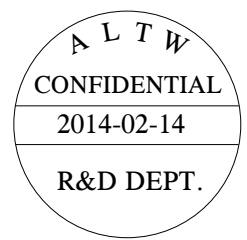
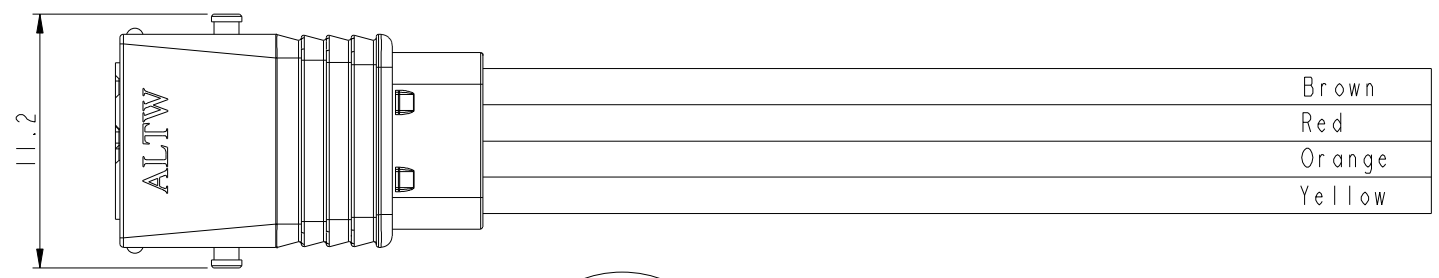


THIS DOCUMENT IS SUBJECT TO CHANGE WITHOUT NOTICE. IT IS CONFIDENTIAL AND A PROPERTY OF AMPHENOL LTW. DISCLOSURE TO THIRD PARTY HAS TO BE AUTHORIZED BY AMPHENOL LTW.

| | | | | |
|------|-----------------|------------|--------|-----------------|
| REV. | ECN NO. | DATE | SIGN | DESCRIPTION |
| A | Initial Release | 2014-02-14 | Fisher | Initial Release |



Conn. 1



SSL11-J4LJ0-022AXX

- 01: L=100±20 mm.
- 02: L=200±20 mm.
- 04: L=400±25 mm.
- Standard Length is 400mm
- Wire Length Range(L): 100~9900mm
- 22: 22AWG
- LOCK&LATCH OPTION
- 0: W/O LOCK

Notes:

- * \varnothing Important Dimensions To Check.
- * Housing: Thermoplastic, UL94V-0, Natural White.
- * Terminal: Copper Alloy, Gold Plated.
- * Hood: Thermoplastic, UL94V-0, Natural White.
- * SR Mold: PP, UL94V-0, Natural White.
- * Wire: UL1430 22AWG, Brown/Red/Orange/Yellow
- * Wire Length Tolerance: ±5%mm.

| | | |
|---------|------------|---|
| 4 | Yellow | 黃 |
| 3 | Orange | 橙 |
| 2 | Red | 紅 |
| 1 | Brown | 棕 |
| Conn. 1 | Wire Color | |
| Pin Out | | |

| | | |
|-----------|-------|--|
| UNIT:mm | | |
| TOLERANCE | | |
| .X | ±0.25 | |
| .XX | ±0.1 | |
| .XXX | ±0.05 | |
| ANGLES | ±1° | |

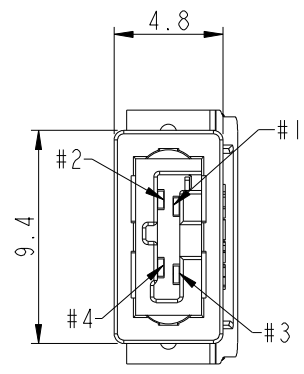
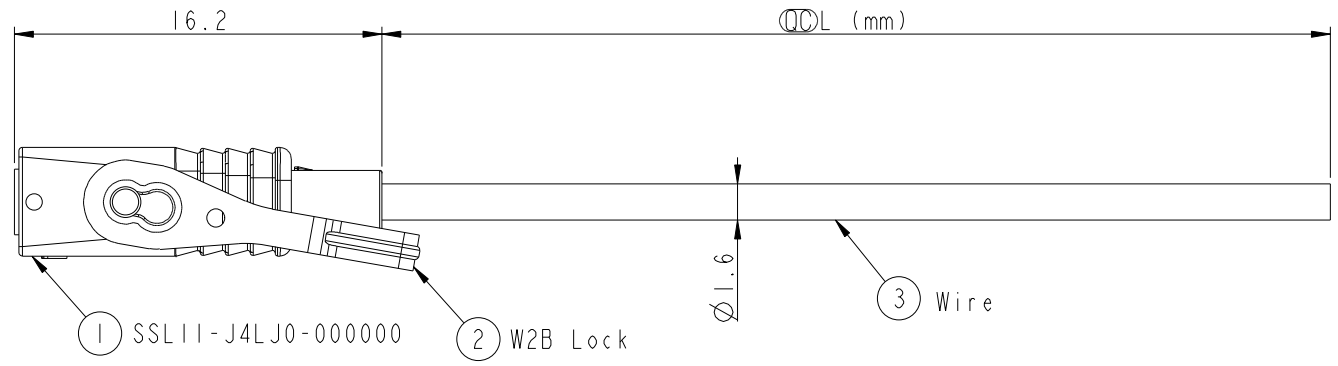
| | | | |
|--|----------------|---------------------------------|--|
| TITLE SSL11 WIRE ASS'Y, W/O LOCK 4-POS, JACK TO OPEN | | | |
| SCALE 3:1 | SIZE A4 | SHEET 1 OF 1 | |
| REV. A | WC-REV. A.2 | \varnothing : Inspection item | |

Amphenol LTW
安費諾亮泰企業股份有限公司

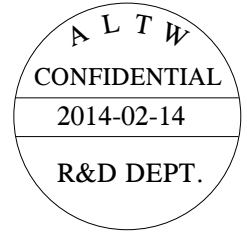
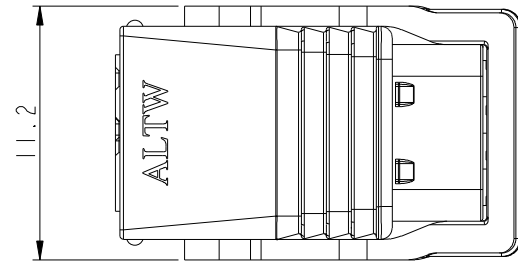
| | | |
|------------------------------|-------------------------|--------------------|
| ITEM NO | DRAWN BY Fisher_Wang | DATE 2014-02-14 |
| DWG NO SSL11-J4LJ0-022AXX | CHECKED BY Ivan_Lin | DATE 2014-02-14 |
| CUSTOMER ALTW | APPROVED BY Kevin_Hu | DATE 2014-02-14 |

THIS DOCUMENT IS SUBJECT TO CHANGE WITHOUT NOTICE. IT IS CONFIDENTIAL AND A PROPERTY OF Amphenol LTW. DISCLOSURE TO THIRD PARTY HAS TO BE AUTHORIZED BY Amphenol LTW.

| | | | | |
|------|-----------------|------------|--------|-----------------|
| REV. | ECN NO. | DATE | SIGN | DESCRIPTION |
| A | Initial Release | 2014-02-14 | Fisher | Initial Release |



Conn. 1



| |
|--------|
| Brown |
| Red |
| Orange |
| Yellow |

SSLII-J4LJ0-B22AXX

- 01: L=100±20 mm.
- 02: L=200±20 mm.
- 04: L=400±25 mm.
- Standard Length is 400mm
- Wire Length Range(L): 100~9900mm
- 22: 22AWG
- LOCK&LATCH OPTION
- B: WITH W2B LOCK

- Notes:
- * (C) Important Dimensions To Check.
 - * Housing: Thermoplastic, UL94V-0, Natural White.
 - * Terminal: Copper Alloy, Gold Plated.
 - * Hood: Thermoplastic, UL94V-0, Natural White.
 - * SR Mold: PP, UL94V-0, Natural White.
 - * W2B Lock: Thermoplastic, UL94V-0, Natural White.
 - * Wire: UL1430 22AWG, Brown/Red/Orange/Yellow
 - * Wire Length Tolerance: ±5%mm.

| | | |
|---------|------------|---|
| 4 | Yellow | 黃 |
| 3 | Orange | 橙 |
| 2 | Red | 紅 |
| 1 | Brown | 棕 |
| Conn. 1 | Wire Color | |
| Pin Out | | |

| | | |
|-----------|-------|--|
| UNIT:mm | | |
| TOLERANCE | | |
| .X | ±0.25 | |
| .XX | ±0.1 | |
| .XXX | ±0.05 | |
| ANGLES | ±1° | |

| | | | |
|---|-----|---------|------|
| TITLE SSLII WIRE ASS'Y, WITH W2B LOCK 4-POS, JACK TO OPEN | | | |
| SCALE | 3:1 | SIZE | A4 |
| SHEET | 1 | OF | 1 |
| REV. | A | WC-REV. | A.12 |
| CCL: Inspection item | | | |

Amphenol LTW
安費諾亮泰企業股份有限公司

| | | |
|--------------------|-------------|------------|
| ITEM NO | DRAWN BY | DATE |
| | Fisher_Wang | 2014-02-14 |
| DWG NO | CHECKED BY | DATE |
| SSLII-J4LJ0-B22AXX | Ivan_Lin | 2014-02-14 |
| CUSTOMER | APPROVED BY | DATE |
| ALTW | Kevin_Hu | 2014-02-14 |