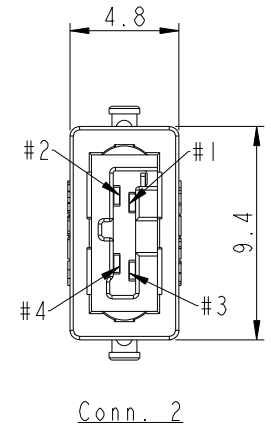
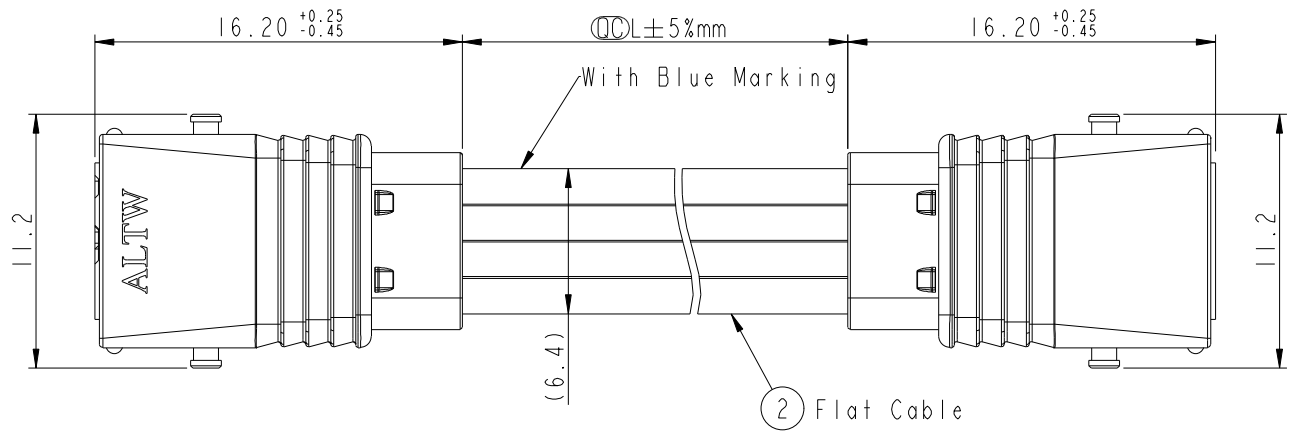
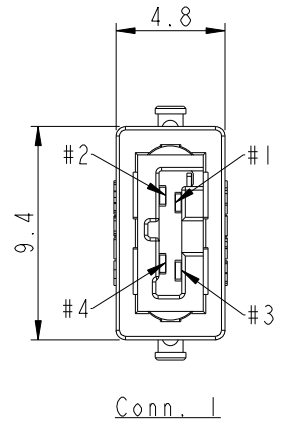
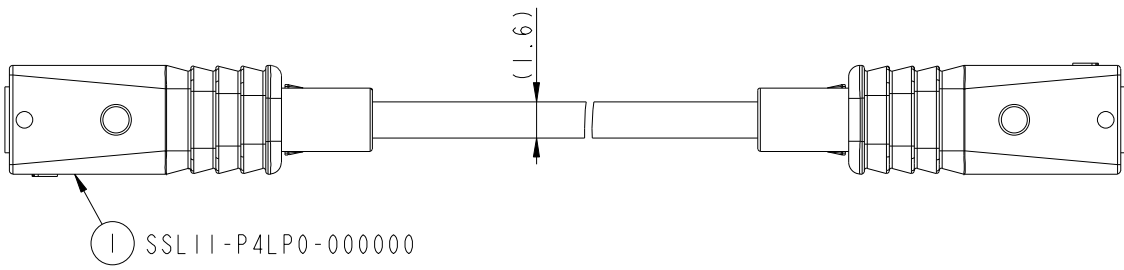
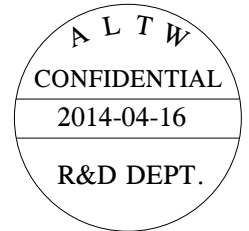


REV.	ECN NO.	DATE	SIGN	DESCRIPTION
A	Initial Release	2014-04-16	Fisher	Initial Release



SSL11-J4L2J-022DXX

06: L=600mm.
Cable Length Range(L): 100~9900 mm

22: 22AWG
LOCK&LATCH OPTION
0: W/O LOCK

- Notes:
- * ③ Important Dimensions To Check.
 - * Housing: Thermoplastic, UL94V-0, Natural White.
 - * Terminal: Copper Alloy, Gold Plated.
 - * Hood: Thermoplastic, UL94V-0, Natural White.
 - * SR Mold: PP, UL94V-0, Natural White.
 - * Flat Cable: UL21016, 4F * 22AWG, XLPE Insulation, White

4	White	白色	4
3	White	白色	3
2	White	白色	2
1	Blue Mark	藍色	1
Conn. 1	Wire Color		Conn. 2
Pin Out			

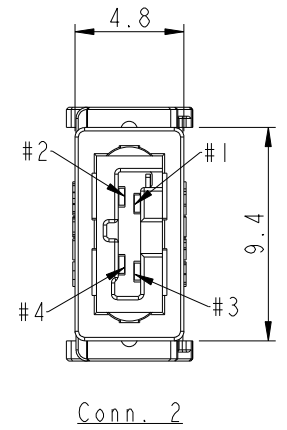
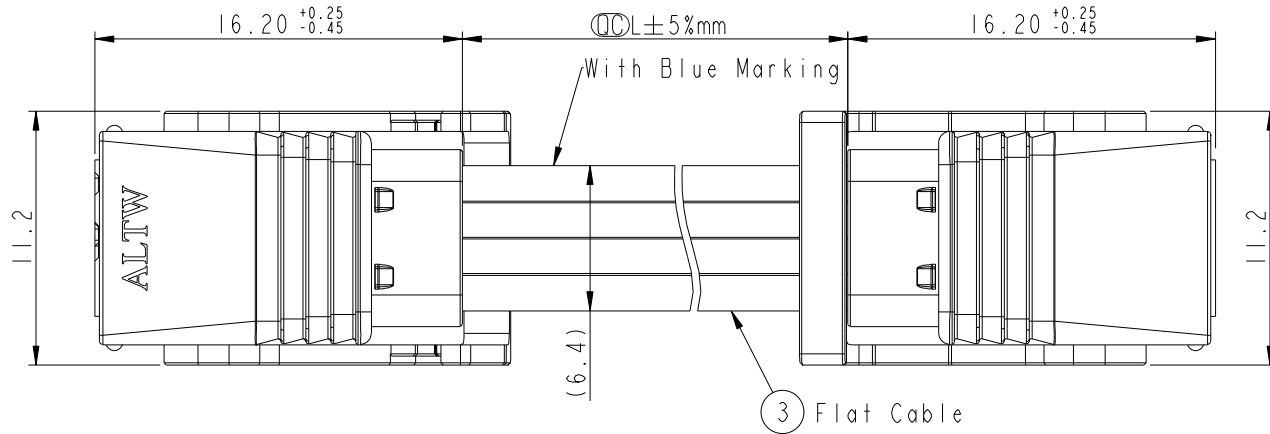
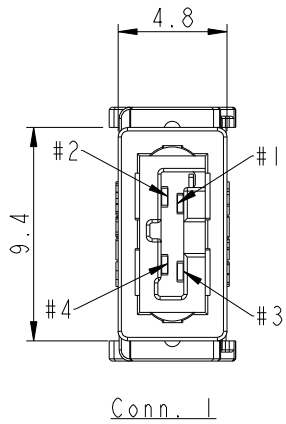
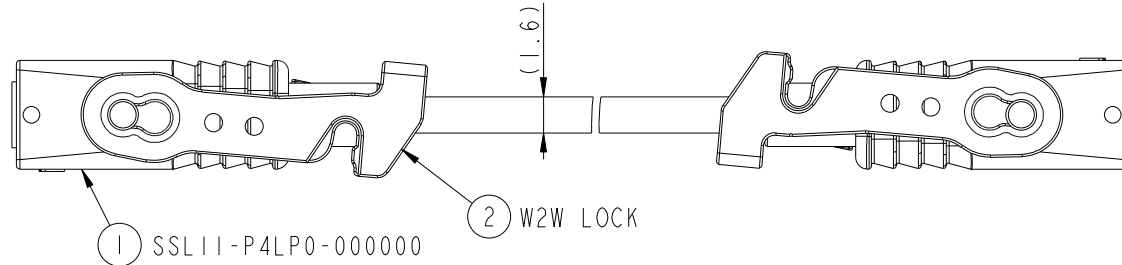
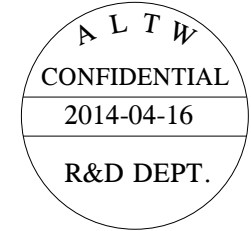
UNIT:mm			TITLE
TOLERANCE	.X ± 0.25	.XX ± 0.1	SSL11 Flat Cable, 4-Pos. W/O Lock, Jack to Jack
.XXX ± 0.05	ANGLES $\pm 1^\circ$	SCALE	SIZE
		3:1	A4
		REV.	SHEET
		A	1 OF 1
		WC-REV.	③ Inspection item
		A.1	

Amphenol LTW
安費諾亮泰企業股份有限公司

ITEM NO	DRAWN BY	DATE
DWG NO	CHECKED BY	DATE
CUSTOMER	APPROVED BY	DATE
SSL11-J4L2J-022DXX	Fisher_Wang	2014-04-16
ALTW	Ivan_Lin	2014-04-16
	Kevin_Hu	2014-04-16

THIS DOCUMENT IS SUBJECT TO CHANGE WITHOUT NOTICE. IT IS CONFIDENTIAL AND A PROPERTY OF Amphenol LTW. DISCLOSURE TO THIRD PARTY HAS TO BE AUTHORIZED BY Amphenol LTW.

REV.	ECN NO.	DATE	SIGN	DESCRIPTION
A	Initial Release	2014-04-16	Fisher	Initial Release



SSLII-J4L2J-T22DXX

06: L=600mm.
Cable Length Range(L): 100~9900 mm

22: 22AWG

LOCK&LATCH OPTION
T: W2W LOCK X 2

Notes:

- * ⊘ Important Dimensions To Check.
- * Housing: Thermoplastic, UL94V-0, Natural White.
- * Terminal: Copper Alloy, Gold Plated.
- * Hood: Thermoplastic, UL94V-0, Natural White.
- * SR Mold: PP, UL94V-0, Natural White.
- * W2W Lock: Thermoplastic, UL94V-0, Natural White.
- * Flat Cable: UL21016, 4F * 22AWG, XLPE Insulation, White

4	White	白色	4
3	White	白色	3
2	White	白色	2
1	Blue Mark	藍色	1
Conn. 1	Wire Color		Conn. 2
Pin Out			

UNIT:mm			TITLE SSLII Flat Cable, 4-Pos. W2W Lock X 2, Jack to Jack		
TOLERANCE	.X ±0.25	.XX ±0.1	SCALE 3:1	SIZE A4	SHEET 1 OF 1
ANGLES	.XXX ±0.05	±1°	REV. A	WC-REV. A.2	⊘: Inspection item

Amphenol LTW
安費諾亮泰企業股份有限公司

ITEM NO	DRWN BY	DATE
DWG NO	CHKD BY	DATE
CUSTOMER	APPRD BY	DATE
ALTW	Fisher_Wang	2014-04-16
	Ivan_Lin	2014-04-16
	Kevin_Hu	2014-04-16

THIS DOCUMENT IS SUBJECT TO CHANGE WITHOUT NOTICE. IT IS CONFIDENTIAL AND A PROPERTY OF Amphenol LTW. DISCLOSURE TO THIRD PARTY HAS TO BE AUTHORIZED BY Amphenol LTW.