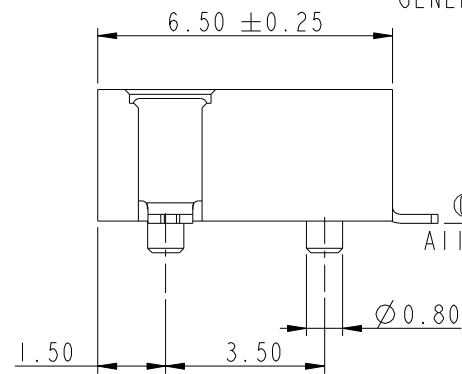
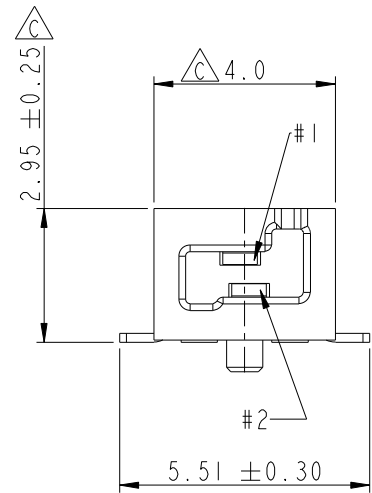
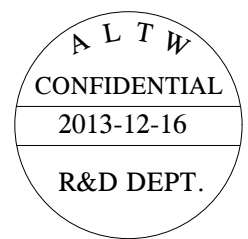
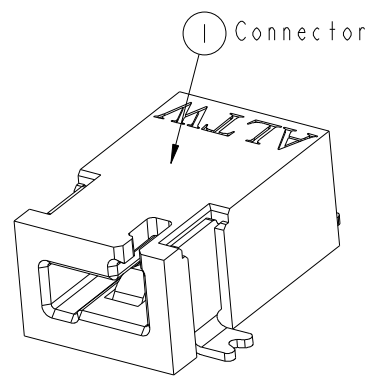
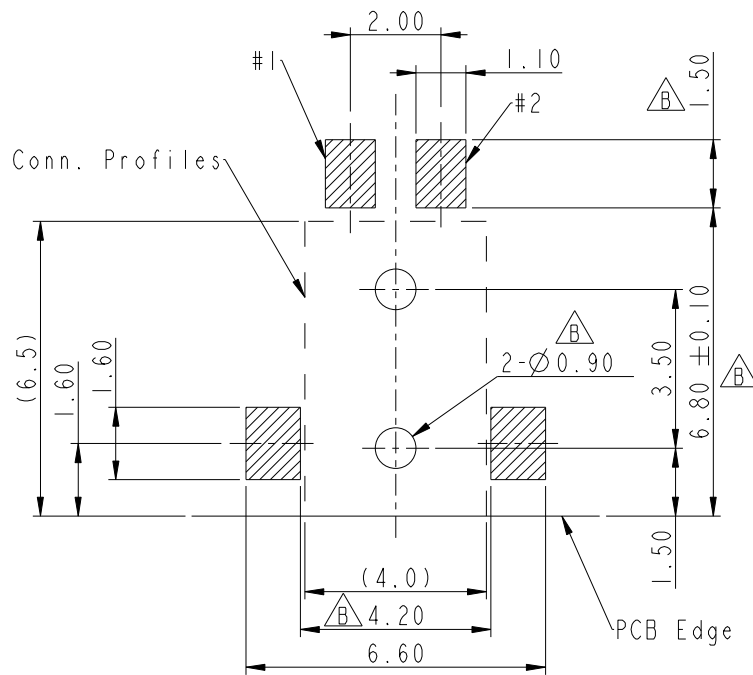
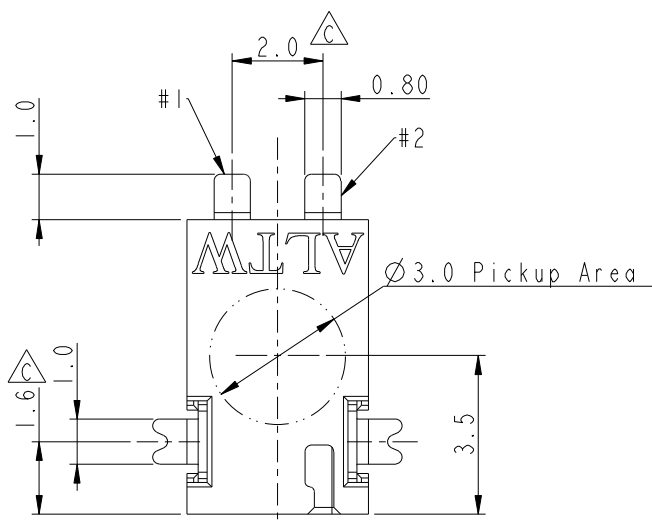


THIS DOCUMENT IS SUBJECT TO CHANGE WITHOUT NOTICE. IT IS CONFIDENTIAL AND A PROPERTY OF Amphenol LTW. DISCLOSURE TO THIRD PARTY HAS TO BE AUTHORIZED BY Amphenol LTW.

REV.	ECN NO.	DATE	SIGN	DESCRIPTION
A	Initial Release	2012-12-06	Fisher	Initial Release
B	LEN1310204	2013-02-20	Fisher	Change Plating and PCB Layout
C	LE313C0104	2013-12-16	Fisher	Change Plating and Dimensions



RECOMMENDED P.C.B. LAYOUT
GENERAL TOLERANCE IS ±0.05

All Solderetails

- Notes:
- * Important Dimension To Check.
 - * Housing: High temperature thermoplastic. UL94V-0, color is Natural white.
 - * Terminal: Copper Alloy, Gold Plated on contact area. Tin plated on solder tails.
 - * Solder Peg: Copper Alloy, Tin plated over Nickel.

UNIT: mm

TOLERANCE	
.X	±0.25
.XX	±0.1
.XXX	±0.05
ANGLES	±1°

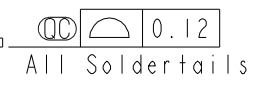
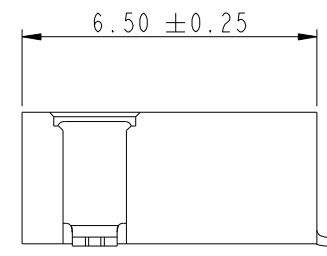
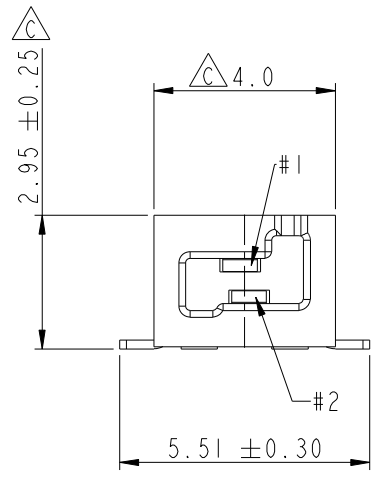
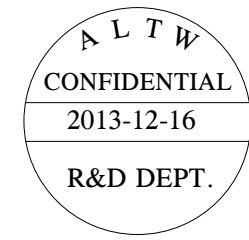
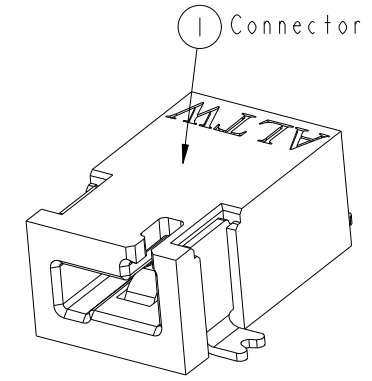
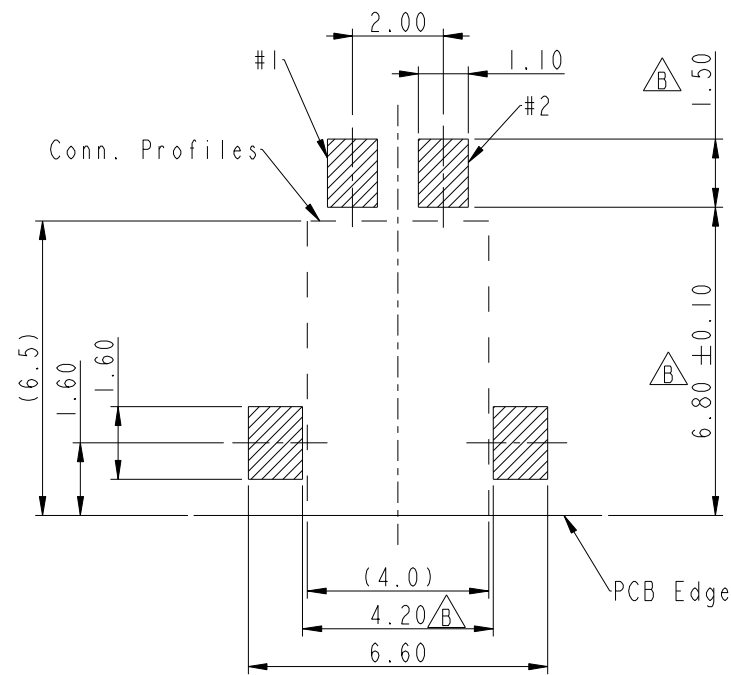
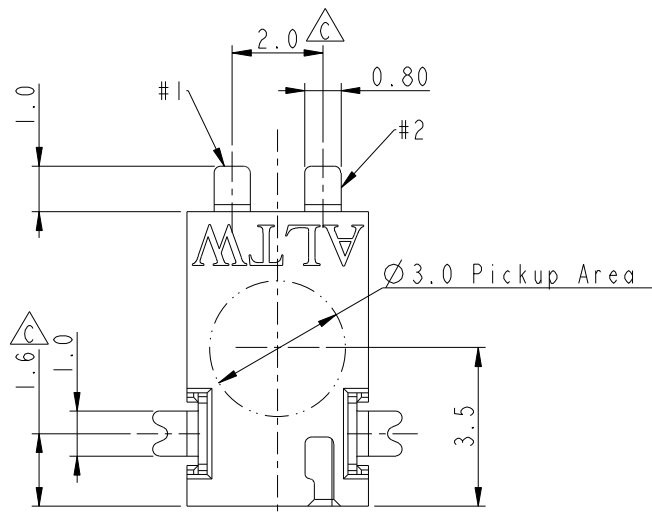
TITLE SSL-1.1 DC JACK CONNECTOR 2-POS. WITH POST, SMT TYPE			
SCALE	SIZE	SHEET	OF
6:1	A4	1	2
REV.	WC-REV.	QC: Inspection item	
C	A.2		

Amphenol LTW
安費諾亮泰企業股份有限公司

ITEM NO.	SSL11-J2C00-000001	DRAWN BY	Fisher_Wang	DATE	2013-12-16
DWG NO.	SSL11-J2C00-000001	CHECKED BY	Ivan_Lin	DATE	2013-12-16
CUSTOMER	ALTW	APPROVED BY	Kevin_Hu	DATE	2013-12-16

THIS DOCUMENT IS SUBJECT TO CHANGE WITHOUT NOTICE. IT IS CONFIDENTIAL AND A PROPERTY OF AMPHENOL LTW. DISCLOSURE TO THIRD PARTY HAS TO BE AUTHORIZED BY AMPHENOL LTW.

REV.	ECN NO.	DATE	SIGN	DESCRIPTION
A	Initial Release	2012-12-06	Fisher	Initial Release
B	LEN1310205	2013-01-11	Fisher	Change Plating and PCB Layout
C	LE313C0107	2013-12-16	Fisher	Change Plating and Dimensions



- Notes:
- * Ⓞ Important Dimension To Check.
 - * Housing: High temperature thermoplastic. UL94V-0, color is Natural white.
 - * Terminal: Copper Alloy, Gold Plated on contact area. Tin plated on solder tails.
 - * Solder Peg: Copper Alloy, Tin plated over Nickel.

UNIT: mm	⊕	⊕
TOLERANCE		
.X	±0.25	
.XX	±0.1	
.XXX	±0.05	
ANGLES	±1°	

TITLE SSL-1.1 DC JACK CONNECTOR 2-POS. W/O POST, SMT TYPE			
SCALE 6:1	SIZE A4	SHEET 1 OF 2	
REV. C	WC-REV. .0	Ⓞ : Inspection item	

Amphenol LTW
安費諾亮泰企業股份有限公司

ITEM NO. SSL11-J2D00-000001	DRAWN BY Fisher_Wang	DATE 2013-12-16
DWG NO. SSL11-J2D00-000001	CHECKED BY Ivan_Lin	DATE 2013-12-16
CUSTOMER ALTW	APPROVED BY Kevin_Hu	DATE 2013-12-16

THIS DOCUMENT IS SUBJECT TO CHANGE WITHOUT NOTICE. IT IS CONFIDENTIAL AND A PROPERTY OF Amphenol LTW. DISCLOSURE TO THIRD PARTY HAS TO BE AUTHORIZED BY Amphenol LTW.

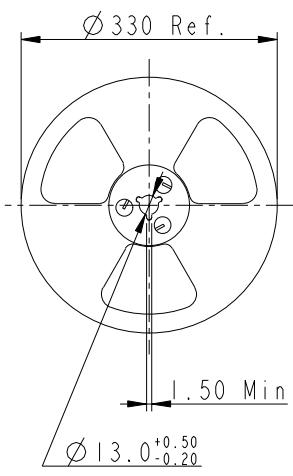
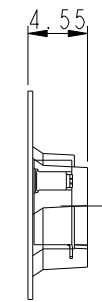
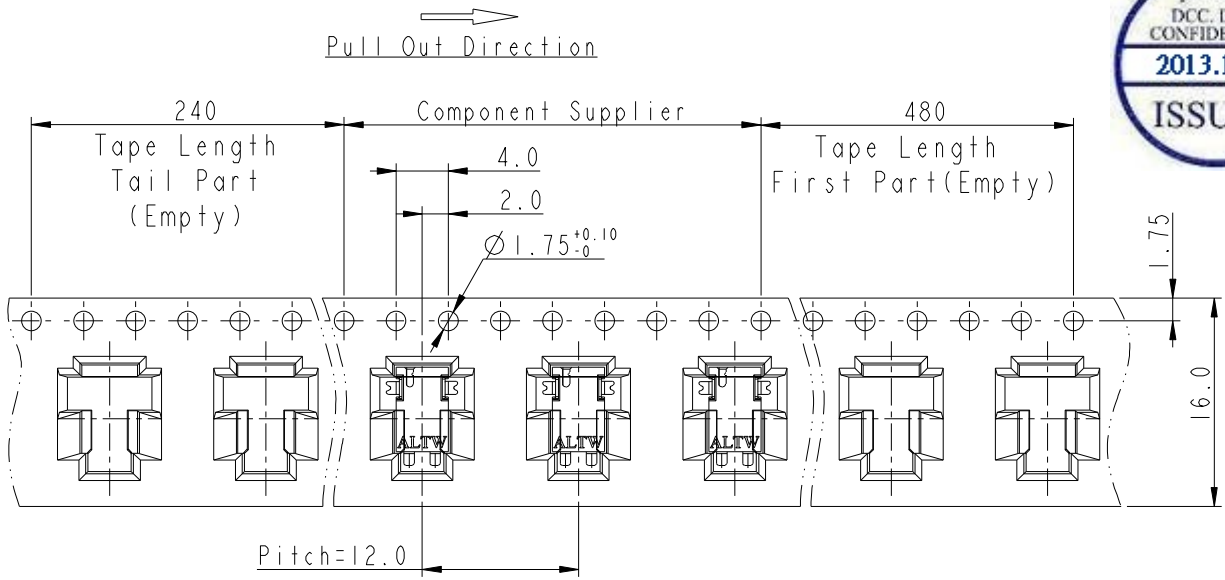


MATERIALS

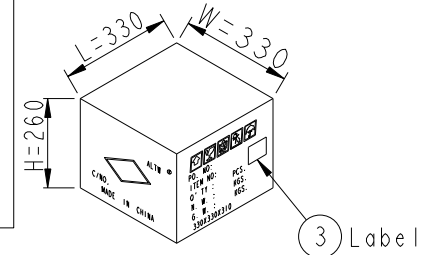
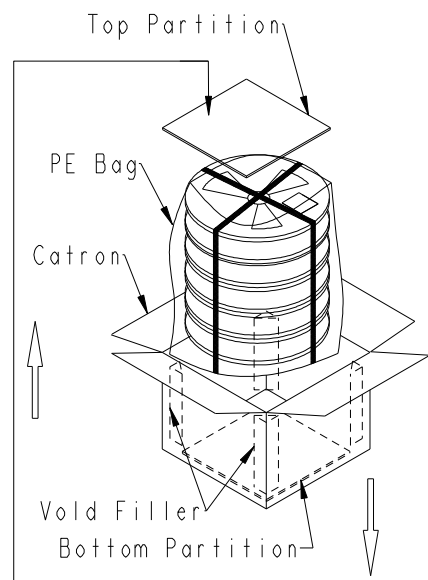
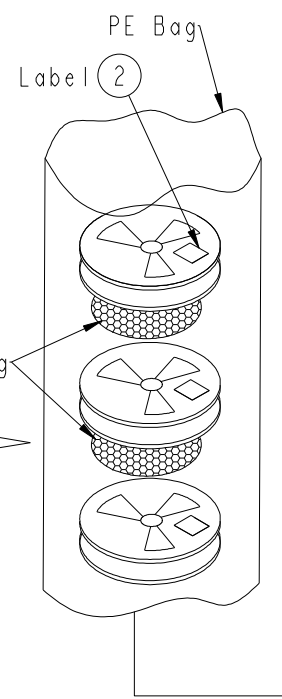
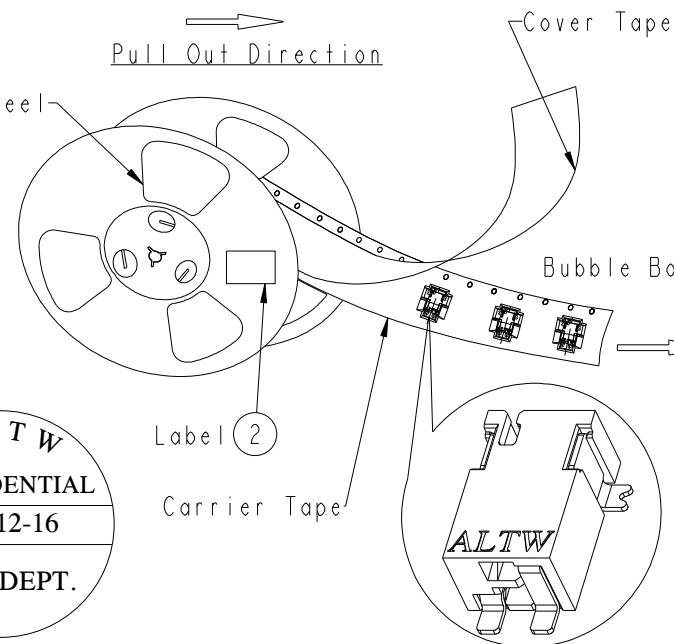
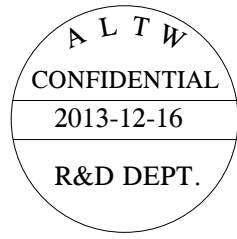
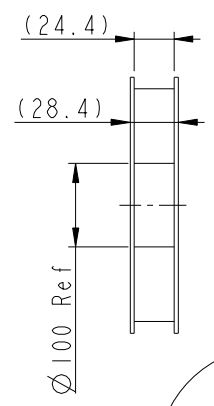
1. Carrier Tape: Polystyren (PS)
2. Cover Tape: Polystyren (PS)
3. Reel: Polystyren (PS)

QUANTITY

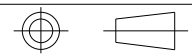
1. 1200Pcs Per Reel
2. 8 Reel Per Carton (9600Pcs/Carton)
3. Reference Standard: EIA-481-D
4. Net Weight: 1.2Kg/Carton.
5. Gross Weight: 6.0Kg/Carton.



Reel For Carrier Tape



UNIT:mm



TOLERANCE
.X ±0.25
.XX ±0.1
.XXX ±0.05
ANGLES ±1°

TITLE SSL-1.1 DC JACK CONNECTOR 2-POS. W/O POST, SMT TYPE			
SCALE 5:1	SIZE A4	SHEET 2 OF 2	
REV. C	WC-REV. A.8	QC: Inspection item	

Amphenol LTW
安費諾亮泰企業股份有限公司

ITEM NO SSL11-J2D00-000001	DRAWN BY Fisher_Wang	DATE 2013-12-16
DWG NO SSL11-J2D00-000001	CHECKED BY Ivan_lin	DATE 2013-12-16
CUSTOMER ALTW	APPROVED BY Kevin_Hu	DATE 2013-12-16

A

F

E

D

C

B

8

2

3

4

5

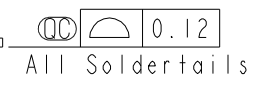
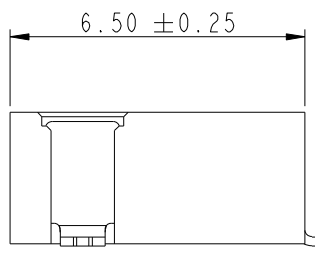
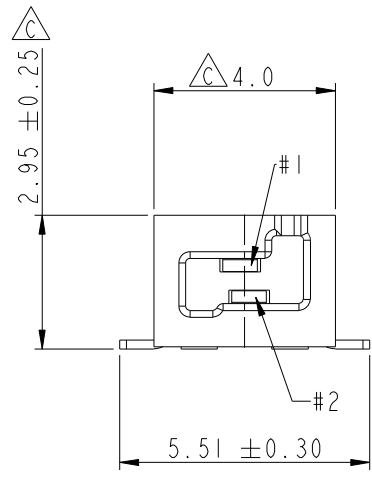
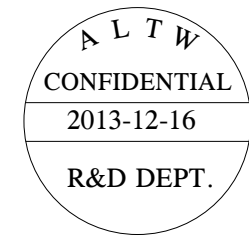
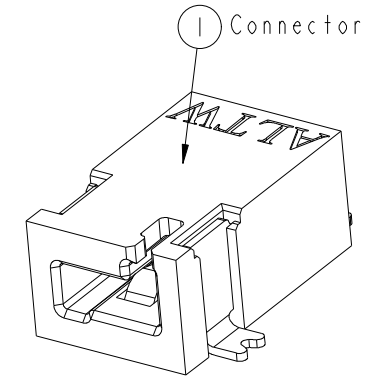
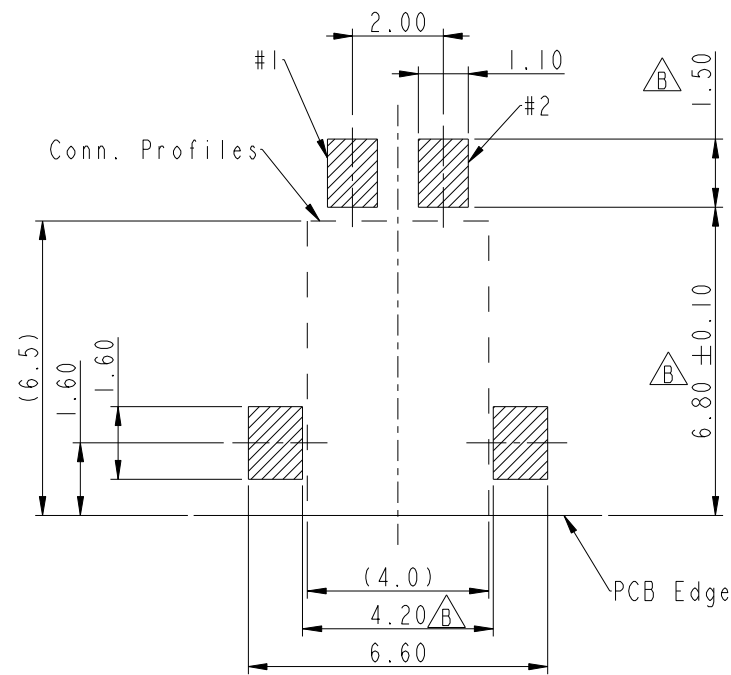
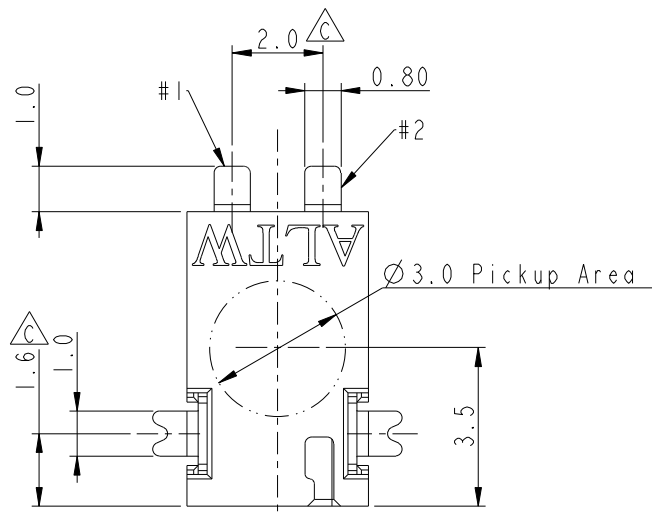
6

7

8

THIS DOCUMENT IS SUBJECT TO CHANGE WITHOUT NOTICE. IT IS CONFIDENTIAL AND A PROPERTY OF AMPHENOL LTW. DISCLOSURE TO THIRD PARTY HAS TO BE AUTHORIZED BY AMPHENOL LTW.

REV.	ECN NO.	DATE	SIGN	DESCRIPTION
A	Initial Release	2012-12-06	Fisher	Initial Release
B	LEN1310205	2013-01-11	Fisher	Change Plating and PCB Layout
C	LE313C0107	2013-12-16	Fisher	Change Plating and Dimensions



- Notes:
- * Ⓞ Important Dimension To Check.
 - * Housing: High temperature thermoplastic. UL94V-0, color is Natural white.
 - * Terminal: Copper Alloy, Gold Plated on contact area. Tin plated on solder tails.
 - * Solder Peg: Copper Alloy, Tin plated over Nickel.

UNIT: mm	⊕	⊕
TOLERANCE	.X	±0.25
	.XX	±0.1
	.XXX	±0.05
	ANGLES	±1°

TITLE SSL-1.1 DC JACK CONNECTOR 2-POS. W/O POST, SMT TYPE			
SCALE	SIZE	SHEET	OF
6:1	A4	1	2
REV.	WC-REV.	Ⓞ : Inspection item	
C	.0		

Amphenol LTW
安費諾亮泰企業股份有限公司

ITEM NO	SSL11-J2D00-000001	DRAWN BY	Fisher_Wang	DATE	2013-12-16
DWG NO	SSL11-J2D00-000001	CHECKED BY	Ivan_Lin	DATE	2013-12-16
CUSTOMER	ALTW	APPROVED BY	Kevin_Hu	DATE	2013-12-16

THIS DOCUMENT IS SUBJECT TO CHANGE WITHOUT NOTICE. IT IS CONFIDENTIAL AND A PROPERTY OF Amphenol LTW. DISCLOSURE TO THIRD PARTY HAS TO BE AUTHORIZED BY Amphenol LTW.

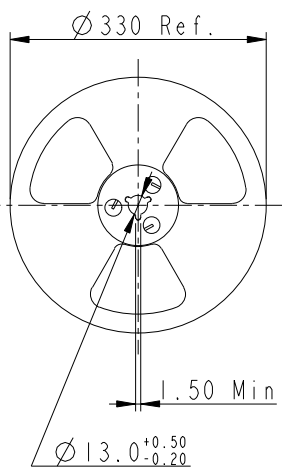
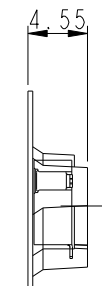
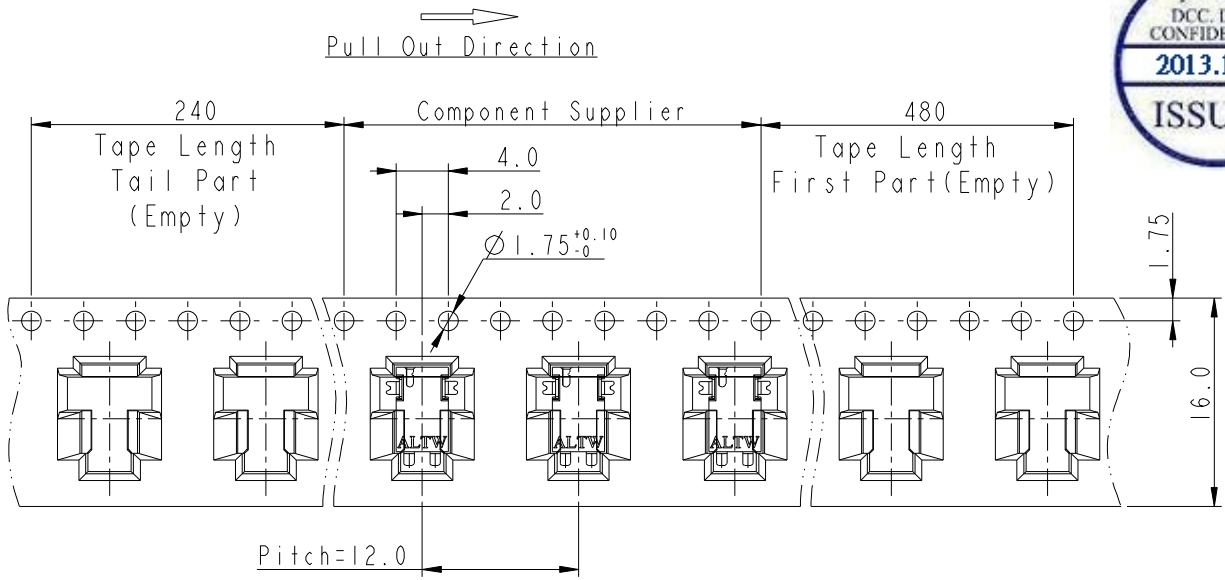


MATERIALS

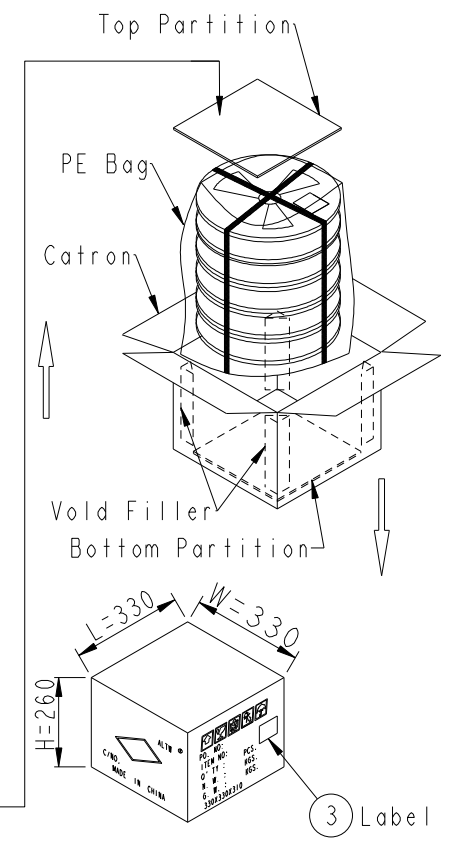
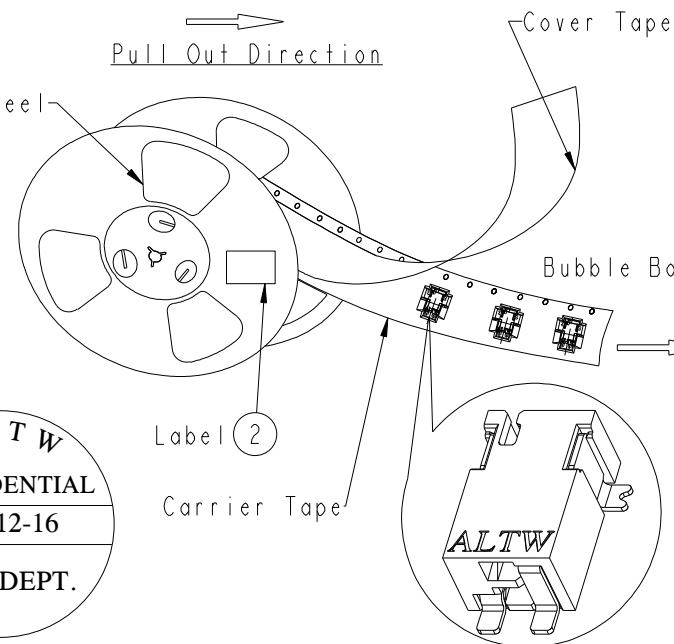
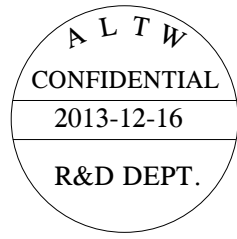
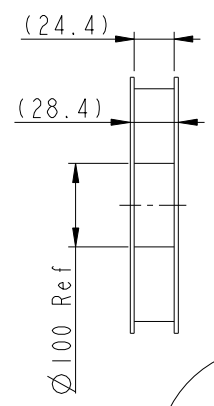
- 1. Carrier Tape: Polystyren (PS)
- 2. Cover Tape: Polystyren (PS)
- 3. Reel: Polystyren (PS)

QUANTITY

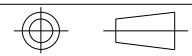
- 1. 1200Pcs Per Reel
- 2. 8 Reel Per Carton (9600Pcs/Carton)
- 3. Reference Standard: EIA-481-D
- 4. Net Weight: 1.2Kg/Carton.
- 5. Gross Weight: 6.0Kg/Carton.



Reel For Carrier Tape



UNIT:mm



TITLE SSL-1.1 DC JACK CONNECTOR
2-POS. W/O POST, SMT TYPE

Amphenol LTW

ITEM NO SSL11-J2D00-000001

DRAWN BY Fisher_Wang

DATE 2013-12-16

TOLERANCE
.X ±0.25
.XX ±0.1
.XXX ±0.05
ANGLES ±1°

SCALE 5:1 SIZE A4 SHEET 2 OF 2

安費諾亮泰企業股份有限公司

DWG NO SSL11-J2D00-000001

CHECKED BY Ivan_lin

DATE 2013-12-16

REV. C WC-REV. A.8 QC: Inspection item

CUSTOMER ALTW

APPROVED BY Kevin_Hu

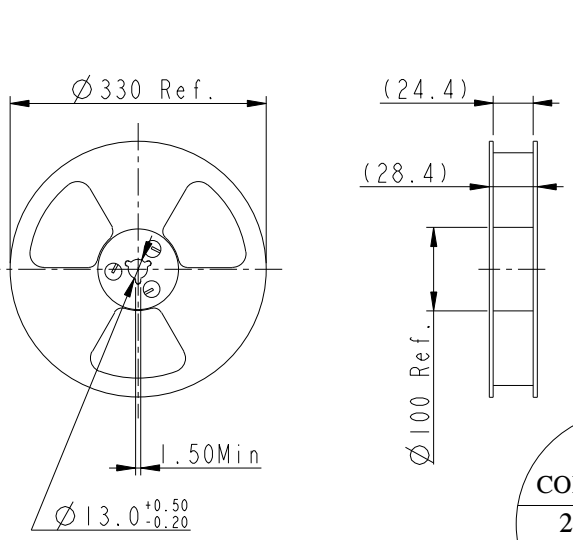
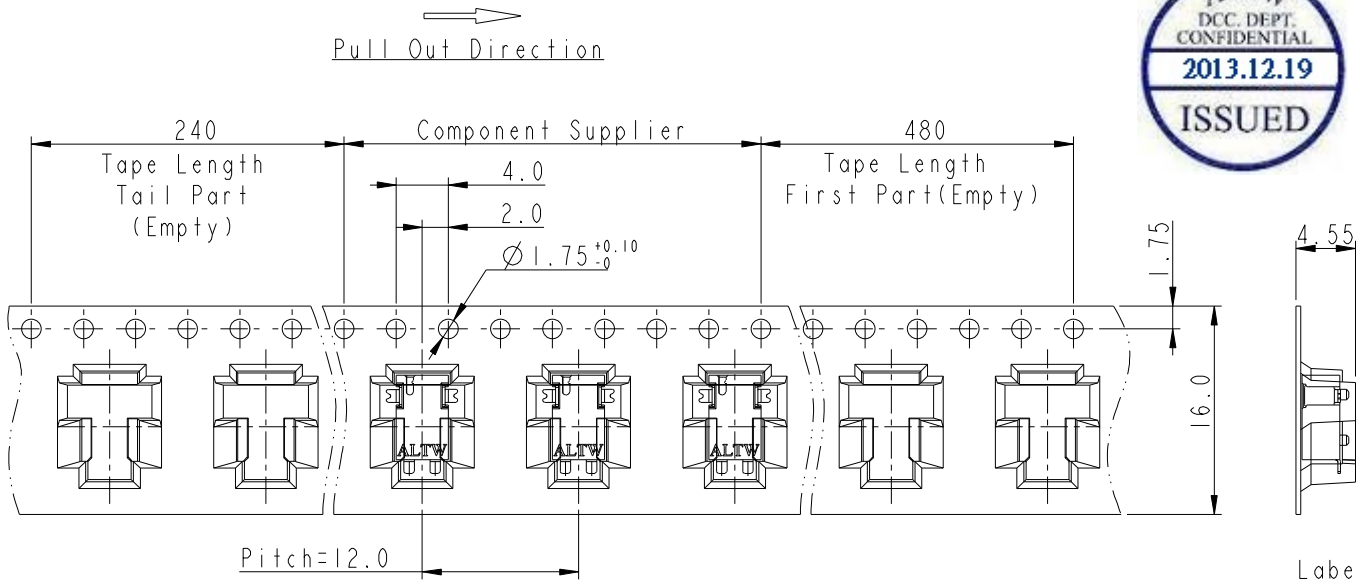
DATE 2013-12-16

THIS DOCUMENT IS SUBJECT TO CHANGE WITHOUT NOTICE. IT IS CONFIDENTIAL AND A PROPERTY OF Amphenol LTW. DISCLOSURE TO THIRD PARTY HAS TO BE AUTHORIZED BY Amphenol LTW.

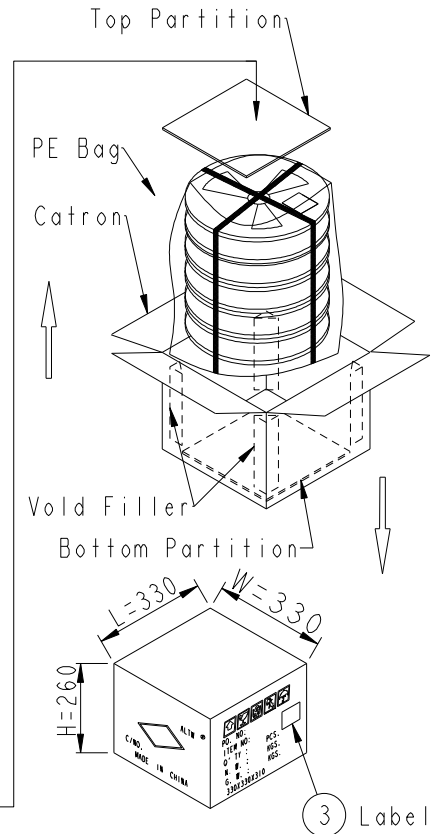
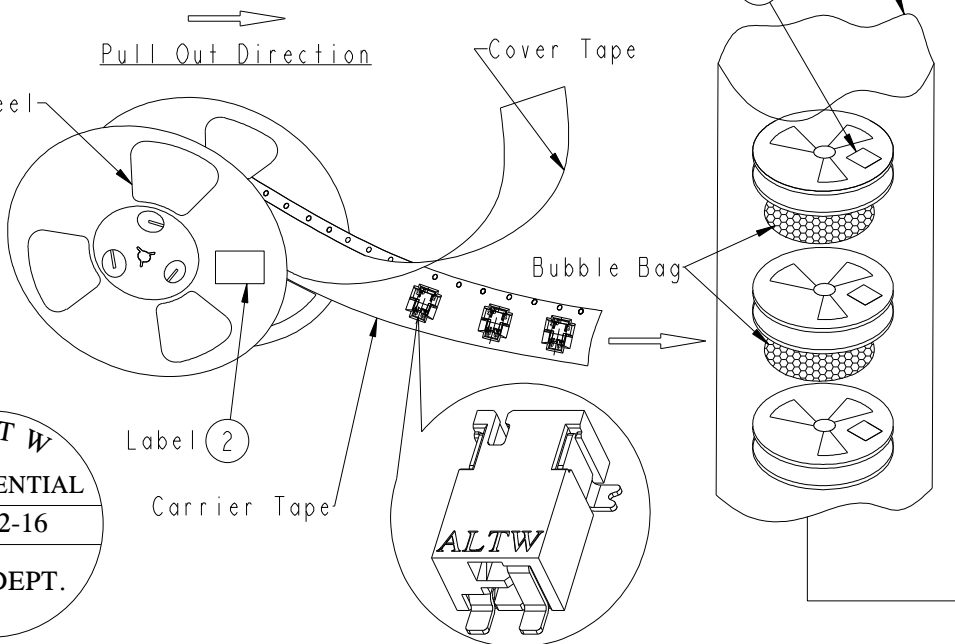
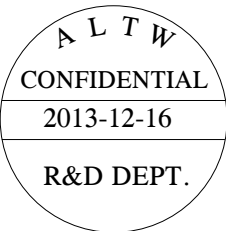


MATERIALS

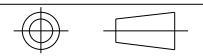
1. Carrier Tape: Polystyren (PS)
 2. Cover Tape: Polystyren (PS)
 3. Reel: Polystyren (PS)
- QUANTITY**
1. 1200Pcs Per Reel
 2. 8 Reel Per Carton (9600Pcs/Carton)
 3. Reference Standard: EIA-481-D
 4. Net Weight: 1.2Kg/Carton.
 5. Gross Weight: 6.0Kg/Carton.



Reel For Carrier Tape



UNIT:mm



TITLE SSL-1.1 DC JACK CONNECTOR 2-POS. WITH POST, SMT TYPE			
SCALE 5:1	SIZE A4	SHEET 2 OF 2	
REV. C	WC-REV. A.7	QC: Inspection item	

Amphenol LTW
安費諾亮泰企業股份有限公司

ITEM NO SSL11-J2C00-000001	DRAWN BY Fisher_Wang	DATE 2013-12-16
DWG NO SSL11-J2C00-000001	CHECKED BY Ivan_Lin	DATE 2013-12-16
CUSTOMER ALTW	APPROVED BY Kevin_Hu	DATE 2013-12-16